



# Apple LED Cinema Display

 Apple Inc.

© 2008 Apple Inc. All rights reserved.

Under the copyright laws, this manual may not be copied, in whole or in part, without the written consent of Apple.

The Apple logo is a trademark of Apple Inc., registered in the U.S. and other countries. Use of the “keyboard” Apple logo (Option-Shift-K) for commercial purposes without the prior written consent of Apple may constitute trademark infringement and unfair competition in violation of federal and state laws.

Every effort has been made to ensure that the information in this manual is accurate. Apple is not responsible for printing or clerical errors.

Apple  
1 Infinite Loop  
Cupertino, CA 95014-2084  
408-996-1010  
[www.apple.com](http://www.apple.com)

Apple, the Apple logo, Apple Cinema Display, iChat, iMovie, iPod, iSight, Mac, MacBook, MagSafe, and Photo Booth are trademarks of Apple Inc., registered in the U.S. and other countries.

iPhone is a trademark of Apple Inc.

Apple Store is a service mark of Apple Inc., registered in the U.S. and other countries.

The Bluetooth® word mark and logos are registered trademarks owned by Bluetooth SIG, Inc. and any use of such marks by Apple is under license.

ENERGY STAR is a U.S. registered trademark.

Other company and product names mentioned herein may be trademarks of their respective companies. Mention of third-party products is for informational purposes only and constitutes neither an endorsement nor a recommendation. Apple assumes no responsibility with regard to the performance or use of these products.

# Contents

- 7 **Getting Started**
- 8 Setting Up Your Display
- 10 Using Your Display
- 14 Care and Safety
- 15 Ergonomics
- 17 Troubleshooting Your Display
- 18 Learning More, Service, and Support
- 19 Specifications
  
- 21 **Premiers contacts**
- 22 Installation du moniteur
- 24 Utilisation du moniteur
- 28 Entretien et sécurité
- 29 Ergonomie
- 31 Dépannage du moniteur
- 32 Informations, services et assistance
- 33 Spécifications

- 35 **Einführung**
- 36 Einrichten Ihres Bildschirms
- 38 Verwenden des Bildschirms
- 42 Sicherheit und Pflege
- 44 Ergonomie
- 46 Fehlerbeseitigung
- 47 Weitere Informationen, Service und Support
- 48 Technische Daten
  
- 49 **Introduzione**
- 50 Installare il monitor
- 52 Utilizzare il monitor
- 56 Sicurezza e manutenzione
- 57 Disposizione dell'ambiente di lavoro
- 59 Risoluzione dei problemi del monitor
- 60 Ulteriori informazioni, servizio e supporto
- 61 Specifiche tecniche
  
- 63 **Aan de slag**
- 64 Het beeldscherm installeren
- 66 Het beeldscherm gebruiken
- 70 Voorzorgsmaatregelen en veiligheid
- 71 Ergonomie
- 73 Problemen met het beeldscherm oplossen

74 Meer informatie over service en ondersteuning

75 Specificaties

## 77 **Primeros pasos**

78 Instalación de la pantalla

80 Utilización de la pantalla

84 Mantenimiento y seguridad

85 Ergonomía

87 Solución de problemas con la pantalla

88 Más información, servicio y soporte

89 Especificaciones

## 91 **Introduktion**

92 Opstille skærmen

94 Bruge skærmen

98 Vedligeholdelse og sikkerhed

99 Ergonomi

101 Fejlfinding til skærmen

102 Flere oplysninger samt service og support

103 Specifikationer

## 105 **Introdução**

106 Instalação do monitor

108 Utilização do monitor

112 Cuidado e segurança

- 113 Ergonomia
- 115 Resolução de problemas do monitor
- 116 Mais informações, assistência e suporte
- 117 Especificações
  
- 119 **Regulatory Compliance Information**
- 120 Apple and the Environment

# Getting Started

Your Apple LED Cinema Display is designed to work seamlessly with the MacBook family of computers that have a Mini DisplayPort connector. It features a 24-inch LED-backlit widescreen display, a MagSafe connector to charge your MacBook computer, a built-in iSight camera, a speaker system, and a microphone.

The instructions on the following pages help you set up and use your new display, including:

- Connecting the display to your computer
- Using the camera, microphone, speakers, and USB ports
- Adjusting your display's settings

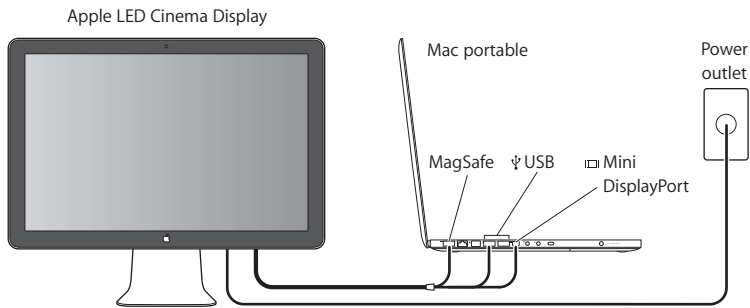
***Important:*** Read all the installation instructions (and the safety information starting on page 14) carefully before you first use your display.

For information about the specific computers and graphics cards that are compatible with your display, go to [www.apple.com/displays](http://www.apple.com/displays).

## Setting Up Your Display

Follow these steps to set up your Apple LED Cinema Display:

- 1 Remove the protective film from the display and cables.
- 2 Insert the power cord into the display, and then insert the AC plug into a grounded power outlet.
- 3 Connect the Mini DisplayPort cable to your computer, as shown below.



- 4 Connect the USB cable to your computer to use the display's built-in iSight camera, speakers, microphone, and USB ports.
- 5 Plug the MagSafe connector into the MagSafe power port on your computer to charge the battery and provide power to your computer.
- 6 Press the power button on your computer to start it up. The display turns on automatically when you start up your computer.



## Setting Up Your Computer with the Lid Closed

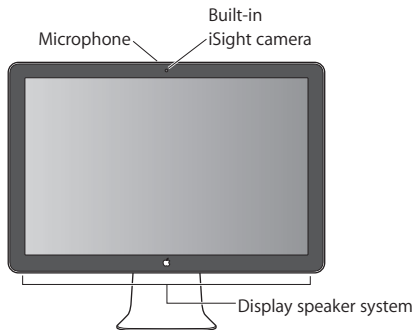
You can close the lid of your computer and use just your Apple LED Cinema Display. Follow the setup instructions on the previous page and make sure the MagSafe connector from the display is plugged into the MagSafe power port on your computer.

### To use your Apple LED Cinema Display with your computer's display closed:

- 1 Connect an external USB keyboard and mouse to the USB port on your display or use the Bluetooth® Setup Assistant to set up a wireless keyboard and mouse.
- 2 Make sure your computer is turned on.
- 3 Close the display on your computer to put it to sleep.
- 4 Wait a few seconds, and then press any key on the external keyboard or move the mouse to wake your computer.

## Using Your Display

Your Apple LED Cinema Display has a built-in iSight camera, microphone, and display speaker system. The USB connection between the display and your computer enables these features.



## Setting Up Sound Input and Output

You can listen to music, movies, games, and multimedia files through the speaker system on your display. You can use the microphone to record sounds, or talk with friends using iChat. Use Sound preferences to manage sound input and output.

### To set up sound input:

- 1 Choose Apple () > System Preferences, and then click Sound.
- 2 Click the Input tab in Sound preferences.
- 3 Choose Display Audio to input sound through your display's microphone.

### **To set up sound output:**

- 1 Click the Output tab.
- 2 Choose Display Audio to hear sound through your display's speaker system.

These sound settings are used whenever your computer is connected to your display. They remain in effect until you change them.

## **Using the Built-in iSight**

You can use the built-in iSight camera and microphone to capture still images, video, and audio with applications such as iChat, iMovie, and Photo Booth.

### **To set up the camera and microphone with iChat:**

- 1 Click the iChat icon in the Dock to open the iChat application.
- 2 Choose iChat > Preferences, and then click Audio/Video.
- 3 Choose Display iSight from the Camera pop-up menu.
- 4 Choose Display Audio from the Microphone pop-up menu.

## **Setting Up Your Apple LED Cinema Display as an Additional Display**

When you leave your computer's display open, you can mirror the same image on both displays or use the displays as an extension of your desktop. Use Displays preferences to set up video mirroring or extended desktop.

### **To set video mirroring or extended desktop:**

- 1 Choose Apple () > System Preferences, and then click Displays.
- 2 Click Arrangement and follow the onscreen instructions.

## Adjusting the Color and Brightness

You can use your Apple Keyboard to increase (⌘↑) or decrease (⌘↓) the brightness of your display. You can also use System Preferences to adjust the resolution, brightness, and color settings.

**To adjust the resolution, the number of colors, or the brightness of your display:**

- 1 Choose Apple (🍏) > System Preferences, and then click Displays.
- 2 Click the Display tab.
- 3 Choose a resolution or color setting, or drag the Brightness slider to adjust the brightness.

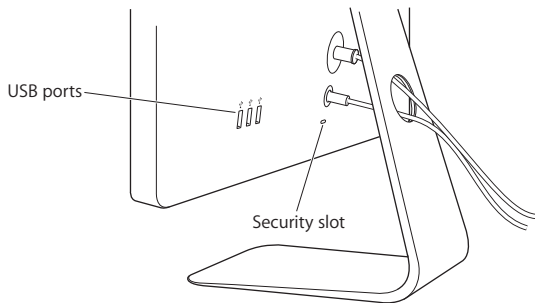
**To change the display profile or calibrate your display:**

- 1 Click the Color tab in Displays preferences.
- 2 Choose a display profile, or click Calibrate to open the Display Calibrator Assistant.

For more information about calibrating your display, choose Help > Mac Help in the menu bar, and search for “calibrate.”

## Using the USB Ports and Security Slot

Your display has three powered USB ports on the back. Use these ports to connect a mouse, keyboard, iPhone, iPod, or other USB peripheral. Make sure the display's USB cable is connected to your computer.



To secure your display, use the security slot to attach a locking cable.

## Using a VESA Mounting Solution with Your Display

You can attach your display to an alternative mounting solution, using the VESA Mount Adapter kit available from the Apple Online Store at [www.apple.com/store](http://www.apple.com/store). Use the kit to attach your display to any available VESA-compatible mounting solution. Simply follow the instructions included with the kit.

## Care and Safety

Before you lift or reposition your display, you may need to disconnect the cables and power cord. Use correct lifting techniques when positioning the display. When lifting or carrying the display, hold it by the edges. Don't lift the display by the stand or the cord.

### To clean the screen on your display:

- 1 Disconnect the power cord.
- 2 Use the cloth that came with your display or another soft, dry cloth to wipe dust from the screen.

**WARNING:** Don't clean the screen with a cleaner containing alcohol or acetone. Use a cleaner intended for use with a screen or display. Never spray cleaner directly on the screen. It may drip inside the display and cause damage.

### Follow these safety guidelines for using your display:

- The only way to completely disconnect power is to unplug the power cord. Be sure to pull the plug, not the cord.
- Disconnect power immediately if the power cord is frayed or damaged, if you spill something on the display, or if the display falls or is damaged in some other way.

**WARNING:** Use only the power cord that came with your display. The power cord has a three-wire grounding plug (a plug that has a third grounding pin) that fits only a grounded AC outlet. If you are unable to insert the plug into an outlet because the outlet is not grounded, contact a licensed electrician to replace the outlet with a properly grounded outlet.

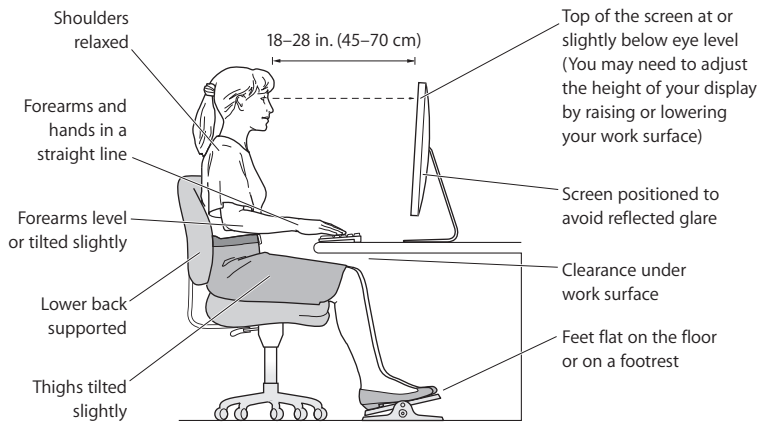
**WARNING:** Your display is a high-voltage component and should not be opened for any reason, even when it's unplugged. If your display needs service, see "Learning More, Service, and Support" on page 18.

## Ergonomics

Here are some guidelines for adjusting your display to reduce glare and to accommodate your physical size and shape.

- Arrange the display so that the top of the screen is slightly below your eye level when you're sitting at the keyboard. The best distance from your eyes to the screen is up to you, although most people tend to prefer 18 to 28 inches (45 to 70 cm).

- Position the display by tilting it up or down to minimize glare and reflections from overhead lights and nearby windows.



For more information about health, safety, and maintenance, go to the Apple ergonomic website at [www.apple.com/about/ergonomics](http://www.apple.com/about/ergonomics).



## Troubleshooting Your Display

Before performing any of these steps, make sure your computer is turned on, the display is plugged into an outlet, all the cables are connected properly to your computer and display, and your computer is not in sleep mode.

### **If the screen doesn't have an image:**

- Check the cables and connectors again to make sure they are connected properly to your computer and the display.
- Make sure your computer is turned on and is not in sleep mode. If your computer's display is closed, use the external keyboard or mouse to wake the computer from sleep.
- Reset the PRAM by restarting your computer while holding down the Command (⌘), Option, P, and R keys until you hear the startup sound a second time.

### **If the screen is dim:**

- Make sure the display brightness controls are set properly. Choose Apple () > System Preferences and click Displays. Drag the Brightness slider to adjust the brightness.
- If the colors on the display are too saturated or not correct, you may need to calibrate your display. Open Displays preferences, click Color, click Calibrate, and follow the instructions.

### **If your portable computer isn't charging:**

Make sure the MagSafe connector from your display is seated properly in the MagSafe power port on your computer.

**If the built-in iSight camera, microphone, speakers, or USB ports on the display aren't working:**

Make sure the USB cable from the display is firmly plugged into the USB port on your computer. The display's camera, microphone, speakers, and USB ports work only when this cable is attached to your computer.

### More Troubleshooting Information

You can find more troubleshooting information on the Displays support website at: [www.apple.com/support/displays](http://www.apple.com/support/displays)

## Learning More, Service, and Support

You can find more information about your display on the Apple website and in Mac Help.

To learn about	Do this
Using your display	Choose Help > Mac Help in the menu bar, and search for "displays."
Displays service, support, discussions, troubleshooting, and software downloads	Go to: <a href="http://www.apple.com/support/displays">www.apple.com/support/displays</a>
The latest information about displays	Go to: <a href="http://www.apple.com/displays">www.apple.com/displays</a>
Registering your display	Go to: <a href="http://www.apple.com/register">www.apple.com/register</a>

## Specifications

- *Model number:* A1267
- *Resolution:* 1920 x 1200 @ 60 Hz
- *Ports:* Three USB 2.0 ports on the back
- *Camera and microphone:* Built-in iSight camera with microphone
- *Speakers:* Built-in 2.1 speakers with 12 W output

### **Dimensions:**

- *Weight:* 20.92 lb. (9.49 kg)
- *Height:* 18.84 inches (478.38 mm)
- *Width:* 22.57 inches (573.22 mm)
- *Depth (with stand):* 7.76 inches (197.10 mm)
- *Viewable:* 24 inches (609.60 mm) diagonal

### **Operating environment:**

- *Operating temperature:* 50° to 95° F (10° to 35° C)
- *Relative humidity:* 20% to 80% (noncondensing)
- *Altitude:* 0 to 10,000 feet (0 to 3048 meters)



# Premiers contacts

Votre moniteur Apple LED Cinema Display est conçu pour fonctionner parfaitement avec la famille d'ordinateurs MacBook possédant un connecteur Mini DisplayPort. Il comprend un moniteur à écran large à rétro-éclairage par diode électroluminescente de 24 pouces, un connecteur MagSafe pour recharger votre ordinateur MacBook, une caméra iSight intégrée, un système de haut-parleurs et un micro.

Les instructions des pages suivantes vous permettent de configurer et d'utiliser votre nouveau moniteur et de :

- brancher le moniteur sur votre ordinateur ;
- utiliser la caméra, le micro, les haut-parleurs et les ports USB ;
- régler votre moniteur.

**Important :** lisez soigneusement toutes les instructions d'installation (et les consignes de sécurité à partir de la page 28) avant d'utiliser votre moniteur pour la première fois.

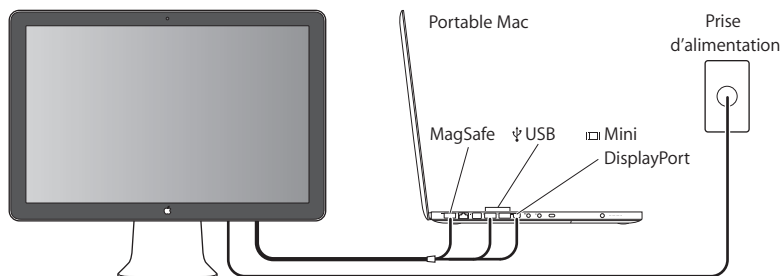
Pour en savoir plus sur les ordinateurs et les cartes graphiques compatibles avec votre moniteur, rendez-vous sur [www.apple.com/fr/displays](http://www.apple.com/fr/displays).

## Installation du moniteur

Suivez ces étapes afin de configurer votre moniteur Apple LED Cinema Display:

- 1 Retirez le film protecteur du moniteur et des câbles.
- 2 Branchez le câble d'alimentation sur le moniteur, puis la fiche CA dans une prise de courant avec mise à la terre.
- 3 Branchez le câble Mini DisplayPort sur votre ordinateur, comme illustré ci-dessous.

Moniteur Apple LED Cinema Display



- 4 Branchez le câble USB sur votre ordinateur pour utiliser la caméra iSight, les haut-parleurs, le micro et les ports USB intégrés du moniteur.
- 5 Branchez le connecteur MagSafe sur le port secteur MagSafe de votre ordinateur pour recharger la batterie et alimenter votre ordinateur.
- 6 Appuyez sur le bouton d'alimentation de l'ordinateur pour l'allumer. Le moniteur s'allume automatiquement lorsque vous mettez l'ordinateur sous tension.

## Installation de votre ordinateur avec le couvercle fermé

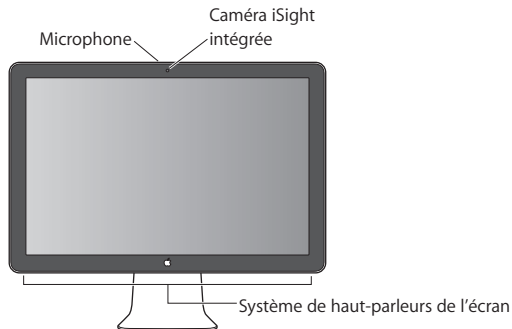
Vous pouvez fermer le couvercle de votre ordinateur et utiliser votre moniteur Apple LED Cinema Display. Suivez les instructions d'installation à la page précédente et assurez-vous que le connecteur MagSafe du moniteur est branché sur le port secteur MagSafe de votre ordinateur.

### **Pour utiliser votre moniteur Apple LED Cinema Display avec le moniteur de votre ordinateur fermé :**

- 1 Branchez un clavier et une souris USB externes sur le port USB de votre moniteur ou utilisez l'Assistant réglages Bluetooth® pour installer un clavier et une souris sans fil.
- 2 Assurez-vous que votre ordinateur est activé.
- 3 Fermez le moniteur de votre ordinateur pour le mettre en mode veille.
- 4 Attendez quelques secondes, puis appuyez sur n'importe quelle touche du clavier externe ou déplacez la souris pour réactiver votre ordinateur.

## Utilisation du moniteur

Votre moniteur Apple LED Cinema Display possède une caméra iSight, un micro et un système de haut-parleurs intégrés. La connexion USB entre le moniteur et votre ordinateur active ces fonctionnalités.



## Configuration de l'entrée et de la sortie audio

Vous pouvez écouter de la musique, des films, des jeux et des fichiers multimédia grâce au système de haut-parleurs de votre moniteur. Le micro vous permet d'enregistrer des sons ou de parler avec des amis à l'aide d'iChat. Utilisez les Préférences audio pour gérer l'entrée et la sortie audio.

### Pour configurer l'entrée audio :

- 1 Sélectionnez le menu Pomme (🍏) > Préférences Système puis cliquez sur Son.
- 2 Cliquez sur l'onglet Entrée dans Préférences audio.



- 3 Sélectionnez Audio du moniteur pour utiliser le micro de votre moniteur comme entrée audio.

#### **Pour configurer la sortie audio :**

- 1 Cliquez sur l'onglet Sortie.
- 2 Sélectionnez Audio du moniteur pour utiliser le système de haut-parleurs de votre moniteur comme sortie audio.

Ces réglages sonores sont utilisés chaque fois que votre ordinateur est connecté à votre moniteur. Ils restent actifs jusqu'à ce que vous les modifiez.

### **Utilisation de la caméra iSight intégrée**

La caméra iSight et le microphone intégrés vous permettent de capturer des images, de la vidéo et de l'audio avec des applications comme iChat, iMovie et Photo Booth.

#### **Pour configurer la caméra et le micro avec iChat :**

- 1 Cliquez sur l'icône iChat dans le Dock pour ouvrir l'application iChat.
- 2 Choisissez iChat > Préférences, puis cliquez sur Audio/Vidéo.
- 3 Choisissez iSight du moniteur dans le menu local Caméra.
- 4 Choisissez Audio du moniteur dans le menu local Micro.

### **Configuration de votre Apple LED Cinema Display comme moniteur supplémentaire**

Lorsque vous gardez le moniteur de votre ordinateur ouvert, vous pouvez afficher la même image sur les deux moniteurs ou bien les utiliser comme extension de votre bureau. Utilisez Préférences Moniteurs pour configurer la copie vidéo ou le bureau étendu.

**Pour configurer la recopie vidéo ou le bureau étendu :**

- 1 Sélectionnez le menu Pomme (🍏) > Préférences Système puis cliquez sur Moniteurs.
- 2 Cliquez sur Disposition et suivez les instructions à l'écran.

### Réglage de la couleur et de la luminosité

Vous pouvez utiliser votre clavier Apple Keyboard pour augmenter (⌘+) ou réduire (⌘-) la luminosité de votre moniteur. Les Préférences Système vous permettent également de régler la résolution, la luminosité et la balance des couleurs.

**Pour régler la résolution, le nombre de couleurs ou la luminosité de votre écran :**

- 1 Sélectionnez le menu Pomme (🍏) > Préférences Système puis cliquez sur Moniteurs.
- 2 Cliquez sur l'onglet Moniteur.
- 3 Choisissez un réglage de résolution ou de couleur ou faites glisser le curseur pour régler la luminosité.

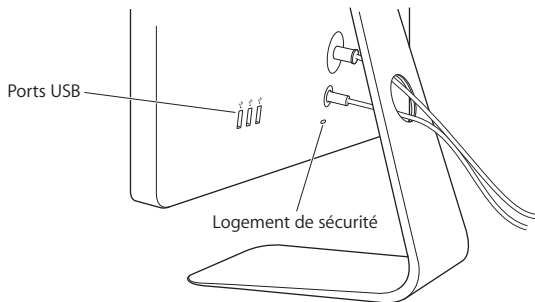
**Pour changer le profil de moniteur ou étalonner votre moniteur :**

- 1 Cliquez sur l'onglet Couleur dans Préférences Moniteurs.
- 2 Choisissez un profil de moniteur ou cliquez sur Étalonner pour ouvrir l'assistant de l'outil d'étalonnage du moniteur.

Pour en savoir plus sur l'étalonnage de votre moniteur, sélectionnez Aide > Aide Mac dans la barre des menus et effectuez une recherche sur « étalonner ».

## Utilisation des ports USB et du logement de sécurité

Votre moniteur présente trois ports USB à l'arrière. Utilisez-les pour brancher une souris, un clavier, un iPhone, un iPod ou d'autres périphériques USB. Assurez-vous que le câble USB du moniteur est branché sur votre ordinateur.



Pour protéger votre moniteur, utilisez le logement de sécurité pour attacher un câble de sécurité.

## Utilisation d'une solution de montage VESA avec votre moniteur

Il est possible d'utiliser d'autres configurations de montage à l'aide du kit VESA Mount Adapter en vente sur l'Apple Store en ligne à l'adresse [www.apple.com/fr/store](http://www.apple.com/fr/store). Utilisez ce kit pour connecter votre moniteur à n'importe quelle configuration de montage compatible avec la norme VESA. Suivez les instructions qui accompagnent le kit de montage.

## Entretien et sécurité

Avant de soulever ou déplacer votre moniteur, il peut s'avérer nécessaire de débrancher les différents câbles, dont le câble d'alimentation. Lorsque vous soulevez ou déplacez le moniteur, utilisez la méthode la plus adéquate. Tenez-le toujours par les côtés, jamais par le support ou le câble d'alimentation.

**Pour nettoyer votre écran, procédez comme suit :**

- 1 Débranchez le câble d'alimentation.
- 2 Utilisez le tissu fourni avec le moniteur ou tout autre tissu doux et sec pour dépoussiérer l'écran.

**AVERTISSEMENT :** ne nettoyez pas l'écran à l'aide d'un produit nettoyant contenant de l'alcool ou de l'acétone. Utilisez un produit destiné à nettoyer les écrans. Ne projetez jamais directement le produit nettoyant directement sur l'écran. Le produit risque de s'infiltrer à l'intérieur du moniteur et d'entraîner des dégâts.

**Suivez ces consignes de sécurité lors de l'utilisation de votre moniteur :**

- Le seul moyen de couper entièrement l'alimentation est de débrancher le câble d'alimentation. Ce faisant, veillez à tirer sur la prise et non sur le câble.

- Coupez immédiatement l'alimentation si le câble d'alimentation est détérioré, si vous avez renversé un liquide sur le moniteur, ou si ce dernier est tombé ou a subi une détérioration.

**AVERTISSEMENT :** utilisez uniquement le câble d'alimentation fourni avec votre moniteur. Le câble d'alimentation est constitué d'une prise de terre à trois fils (une prise équipée d'une troisième broche reliée à la masse) que vous ne pouvez brancher qu'à une prise de courant alternatif. Si vous ne parvenez pas à insérer la fiche dans une prise parce que celle-ci n'est pas mise à la terre, contactez un électricien agréé qui se chargera de remplacer la prise par une prise mise à la terre adéquate.

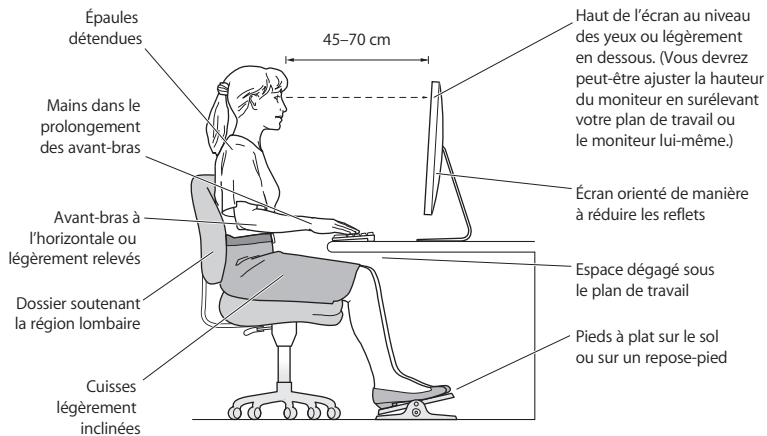
**AVERTISSEMENT :** votre moniteur est un composant haute tension et ne doit être ouvert ou démonté sous aucun prétexte, même s'il est débranché. Si votre moniteur doit être révisé ou réparé, voir « Informations, services et assistance » à la page 32.

## Ergonomie

Veillez trouver ci-après quelques recommandations pour régler votre moniteur pour réduire la luminosité et pour placer le moniteur de façon à respecter votre morphologie.

- Disposez le moniteur de façon à ce que la partie supérieure soit située légèrement en dessous de vos yeux lorsque vous êtes assis(e) devant le clavier de l'ordinateur. Il vous appartient de juger de la meilleure distance entre vos yeux et l'écran. Elle se situe en général entre 45 et 70 cm.

- Positionnez le moniteur en le faisant pivoter vers le haut ou le bas pour limiter tout éblouissement ou reflet sur l'écran, notamment lorsque l'écran est placé sous un éclairage ou près d'une fenêtre.



Pour en savoir plus sur la santé, la sécurité et l'entretien du moniteur, rendez-vous sur le site web d'Apple consacré à l'ergonomie à l'adresse [www.apple.com/fr/about/ergonomics](http://www.apple.com/fr/about/ergonomics).

## Dépannage du moniteur

Avant d'effectuer les étapes ci-dessous, vérifiez que votre ordinateur est allumé, que le moniteur est branché sur une prise, que tous les câbles sont correctement branchés entre votre ordinateur et le moniteur et que l'ordinateur n'est pas en mode veille.

### Si aucune image n'apparaît à l'écran :

- Vérifiez à nouveau que les câbles et les connecteurs sont correctement branchés sur l'ordinateur et le moniteur.
- Assurez-vous que votre ordinateur est allumé et non en mode veille. Si le moniteur de votre ordinateur est fermé, utilisez le clavier ou la souris externe pour réactiver l'ordinateur.
- Réinitialisez la PRAM en redémarrant votre ordinateur tout en maintenant les touches Commande (⌘), Option, P, et R enfoncées jusqu'à ce que vous entendiez le signal de démarrage une seconde fois.

### Si l'écran n'est pas suffisamment éclairé :

- Vérifiez que les commandes de luminosité du moniteur sont correctement réglées. Sélectionnez le menu Pomme (🍏) > Préférences Système, puis cliquez sur Moniteurs. Faites glisser le curseur pour régler la luminosité.
- Si les couleurs s'affichant sur le moniteur sont trop saturées ou sont incorrectes, il peut s'avérer judicieux de l'étalonner . Ouvrez les préférences Moniteurs, cliquez sur Couleur, puis sur Étalonner et suivez les instructions.

### Si votre ordinateur portable ne se recharge pas :

Assurez-vous que le connecteur MagSafe de votre moniteur est correctement branché sur le port secteur MagSafe de votre ordinateur.

Si la caméra iSight, le micro, les haut-parleurs et les ports USB intégrés au moniteur ne fonctionnent pas :

Assurez-vous que le câble USB du moniteur est correctement branché sur le port USB de votre ordinateur. La caméra, le micro, les haut-parleurs et les ports USB du moniteur ne fonctionnent que lorsque ce câble est branché sur votre ordinateur.

### Autres informations de dépannage

D'autres renseignements concernant le dépannage sont disponibles sur le site web d'assistance des moniteurs à l'adresse suivante : [www.apple.com/fr/support/displays](http://www.apple.com/fr/support/displays).

## Informations, services et assistance

Vous trouverez des renseignements complémentaires à propos de votre moniteur sur le site web d'Apple et dans l'Aide Mac.

Pour	Procédez comme suit
Utilisation du moniteur	Sélectionnez Aide > Aide Mac dans la barre des menus, puis recherchez « moniteur ».
Service, assistance, forums de discussion, dépannage et téléchargements de logiciels pour les moniteurs	Rendez-vous à l'adresse : <a href="http://www.apple.com/fr/support/displays">www.apple.com/fr/support/displays</a> .
Les toutes dernières informations sur les moniteurs	Rendez-vous à l'adresse : <a href="http://www.apple.com/fr/displays">www.apple.com/fr/displays</a> .
Enregistrement du moniteur	Rendez-vous à l'adresse : <a href="http://www.apple.com/fr/register">www.apple.com/fr/register</a> .



## Spécifications

- *Numéro de modèle* : A1267
- *Résolution* : 1920 x 1200 à 60 Hz
- *Ports* : trois ports USB 2.0 à l'arrière
- *Caméra et micro* : caméra iSight intégrée avec micro
- *Haut-parleurs* : haut-parleurs 2.1 intégrés avec sortie de 12 W

### **Dimensions :**

- *Poids* : 9,49 kg (20,92 livres)
- *Hauteur* : 478,38 mm (18,84 pouces)
- *Largeur* : 573,22 mm (22,57 pouces)
- *Profondeur (support compris)*: 197,10 mm (7,76 pouces)
- *Diagonale visible* : 609,60 mm (24 pouces)

### **Environnement de fonctionnement :**

- *Température de fonctionnement* : 10 °C à 35 °C
- *Humidité relative* : 20 % à 80 % (sans condensation)
- *Altitude* : 0 à 3 048 mètres (0 à 10 000 pieds)



# Einführung

Ihr Apple LED Cinema Display ist speziell für die Verwendung mit MacBook-Computern konzipiert, die einen Mini DisplayPort-Anschluss besitzen. Bei diesem Gerät handelt es sich um ein 24"-LED-Display mit Hintergrundbeleuchtung, das einen MagSafe-Anschluss zum Aufladen Ihres MacBook-Computers, eine integrierte iSight-Kamera, ein Lautsprecher-System und ein Mikrofon besitzt.

Die Anleitungen auf den folgenden Seiten helfen Ihnen bei der Einrichtung und Verwendung Ihres neuen Displays. Sie finden Informationen zum

- Anschließen des Bildschirms an Ihren Computer
- Verwenden der Kamera, des Mikrofons, der Lautsprecher und der USB-Anschlüsse
- Anpassen der Einstellungen Ihres Bildschirms

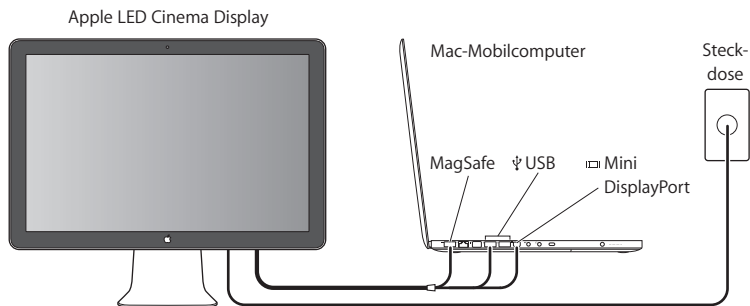
**Wichtig:** Lesen Sie alle Installationsanleitungen (und die Informationen zur Sicherheit ab Seite 42) sorgfältig durch, bevor Sie Ihr Display zum ersten Mal verwenden.

Weitere Informationen zu bestimmten Computern und Grafikkarten, die mit Ihrem Display kompatibel sind, finden Sie unter: [www.apple.com/de/displays](http://www.apple.com/de/displays).

## Einrichten Ihres Bildschirms

Gehen Sie wie im Folgenden beschrieben vor, um Ihr Apple LED Cinema Display einzurichten:

- 1 Entfernen Sie die Schutzfolie von Bildschirm und Kabeln.
- 2 Schließen Sie das Netzkabel an den Bildschirm und dann den Netzstecker an eine geerdete Steckdose an.
- 3 Verbinden Sie das Mini DisplayPort-Kabel wie unten gezeigt mit Ihrem Computer.



- 4 Schließen Sie das USB-Kabel an Ihren Computer an, um die integrierte iSight-Kamera, die Lautsprecher, das Mikrofon und die USB-Anschlüsse des Bildschirms verwenden zu können.
- 5 Schließen Sie den MagSafe-Stecker an den MagSafe-Netzanschluss Ihres Computers an, um die Batterie aufzuladen und den Computer mit Strom zu versorgen.

- 6 Drücken Sie den Ein-/Ausschalter am Computer, um ihn zu starten. Der Bildschirm wird automatisch eingeschaltet, wenn Sie Ihren Computer einschalten.

### **Konfigurieren des Computers mit geschlossenem Bildschirm**

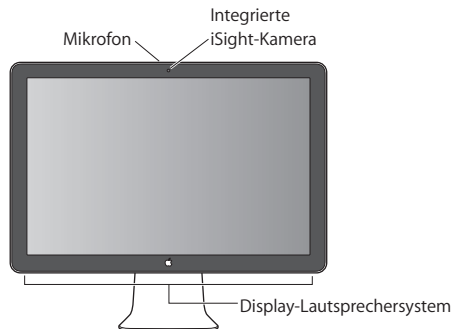
Sie können den Bildschirm Ihres Computers schließen und nur Ihr Apple LED Cinema Display verwenden. Befolgen Sie die Anleitungen auf der vorherigen Seite und vergewissern Sie sich, dass der MagSafe-Stecker des Bildschirms am MagSafe-Netzanschluss des Computers angeschlossen ist.

**Gehen Sie wie folgt vor, um Ihr Apple LED Cinema Display mit Ihrem Computer zu verwenden, wenn dessen Bildschirm geschlossen ist:**

- 1 Schließen Sie eine externe USB-Tastatur und -Maus an den USB-Anschluss Ihres Bildschirms an oder verwenden Sie den Bluetooth®-Assistenten, um eine drahtlose Tastatur oder Maus zu konfigurieren.
- 2 Stellen Sie sicher, dass Ihr Computer eingeschaltet ist.
- 3 Schließen Sie den Bildschirm Ihres Computers, um den Ruhezustand zu aktivieren.
- 4 Warten Sie einige Sekunden und drücken Sie dann eine beliebige Taste auf der externen Tastatur oder bewegen Sie die Maus, um den Ruhezustand des Computers zu beenden.

## Verwenden des Bildschirms

Ihr Apple LED Cinema Display besitzt eine integrierte iSight-Kamera, ein Mikrofon und ein Lautsprechersystem. Diese Funktionen werden durch die USB-Verbindung zwischen Display und Computer aktiviert.



## Konfigurieren der Toneingabe und -ausgabe

Über das Lautsprechersystem Ihres Displays können Sie Musik oder den Ton von Filmen, Spielen und Multimedia-Dateien hören. Mithilfe des Mikrofons können Sie Töne aufzeichnen oder sich via iChat mit Freunden unterhalten. Verwenden Sie die Systemeinstellung „Ton“, um die Toneingabe und -ausgabe zu steuern.

### **Gehen Sie wie folgt vor, um die Toneingabe zu konfigurieren:**

- 1 Wählen Sie „Apple“ (🍏) > „Systemeinstellungen“ und klicken Sie auf „Ton“.
- 2 Klicken Sie in der Systemeinstellung „Ton“ auf „Eingabe“.
- 3 Wählen Sie „Display-Audio“, um die Toneingabe über das Mikrofon des Bildschirms zu aktivieren.

### **Gehen Sie wie folgt vor, um die Tonausgabe zu konfigurieren:**

- 1 Klicken Sie auf „Ausgabe“.
- 2 Wählen Sie „Display-Audio“, um die Tonwiedergabe über das Lautsprechersystem des Bildschirms zu aktivieren.

Diese Toneinstellungen werden nun immer dann verwendet, wenn Sie Ihren Computer an Ihr Display anschließen. Sie bleiben solange gültig, bis Sie sie ändern.

## **Verwenden der integrierten iSight-Kamera**

Sie können die integrierte iSight-Kamera und das eingebaute Mikrofon verwenden, um Standbilder, Videos und Audioelemente mithilfe von Programmen wie iChat, iMovie und Photo Booth aufzunehmen.

### **Gehen Sie wie folgt vor, um die Kamera und das Mikrofon mit iChat zu konfigurieren:**

- 1 Klicken Sie auf das iChat-Symbol im Dock, um das Programm „iChat“ zu öffnen.
- 2 Wählen Sie „iChat“ > „Einstellungen“ und klicken Sie auf „Audio/Video“.
- 3 Wählen Sie „Display-iSight“ aus dem Einblendmenü „Kamera“.
- 4 Wählen Sie „Display-Audio“ aus dem Einblendmenü „Mikrofon“.

## Einrichten des Apple LED Cinema Display als zweiten Bildschirm

Wenn Sie den Bildschirm Ihres Computers geöffnet lassen, können Sie auf beiden Bildschirmen dasselbe Bild anzeigen oder Ihren Schreibtisch so erweitern, dass er auf beiden Bildschirmen zu sehen ist. Verwenden Sie die Systemeinstellung „Monitore“, um die Funktion „Bildschirme synchronisieren“ oder „Erweiterter Schreibtisch“ einzurichten.

**Gehen Sie wie folgt vor, um die Funktion zum Synchronisieren der Bildschirme oder für den erweiterten Schreibtisch einzurichten:**

- 1 Wählen Sie „Apple“ (🍏) > „Systemeinstellungen“ und klicken Sie auf „Monitore“.
- 2 Klicken Sie auf „Anordnen“ und befolgen Sie die Anleitungen auf dem Bildschirm.

## Anpassen von Farbe und Helligkeit

Mit Ihrem Apple Keyboard können Sie die Helligkeit Ihres Displays erhöhen (☀️) oder verringern (🌑). Verwenden Sie die Systemeinstellungen, um die Einstellungen für Auflösung, Helligkeit und Farbe anzupassen.

**Gehen Sie wie folgt vor, um die Auflösung, die Anzahl der Farben oder die Helligkeit Ihres Bildschirms einzustellen:**

- 1 Wählen Sie „Apple“ (🍏) > „Systemeinstellungen“ und klicken Sie auf „Monitore“.
- 2 Klicken Sie auf „Monitor“.
- 3 Wählen Sie eine Auflösung oder eine Farbeinstellung aus oder bewegen Sie die Helligkeitsregler, um die Helligkeit einzustellen.



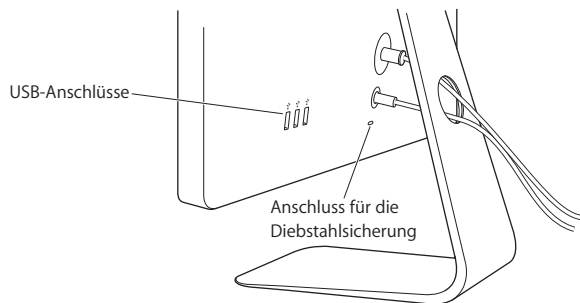
**Gehen Sie wie folgt vor, um das Profil für den Bildschirm zu ändern oder den Bildschirm zu kalibrieren:**

- 1 Klicken Sie in der Systemeinstellung „Monitore“ auf „Farbe“.
- 2 Wählen Sie ein Monitorprofil aus oder klicken Sie auf „Kalibrieren“, um den Kalibrierungsassistenten zu öffnen.

Weitere Informationen zum Kalibrieren Ihres Bildschirms können Sie anzeigen, indem Sie in der Menüleiste „Hilfe“ > „Mac-Hilfe“ wählen und nach „Kalibrieren“ suchen.

### Verwenden der USB-Anschlüsse und der Diebstahlsicherung

Ihr Display besitzt an der Rückseite drei USB-Anschlüsse mit integrierter Stromversorgung. An diesen Anschlüssen können Sie eine Maus, eine Tastatur, ein iPhone, einen iPod oder andere USB-Geräte anschließen. Stellen Sie sicher, dass das USB-Kabel des Bildschirms an Ihrem Computer angeschlossen ist.



Schließen Sie ein Sicherungskabel an der Diebstahlsicherung an, um Ihr Display vor Diebstahl zu schützen.

## Verwenden einer VESA-Befestigungslösung für Ihr Display

Mithilfe des VESA Mount Adapter-Kit steht Ihnen auch eine alternative Möglichkeit zum Aufstellen bzw. Anbringen Ihres Bildschirms zur Verfügung. Das VESA Mount Adapter-Kit erhalten Sie online im Apple Store unter: [www.apple.com/de/store](http://www.apple.com/de/store). Mit diesem Kit können Sie Ihren Bildschirm an jede beliebige VESA-kompatible Befestigungslösung anbringen. Befolgen Sie dazu einfach die dem VESA Mount Adapter-Kit beiliegenden Anleitungen.

## Sicherheit und Pflege

Vor dem Anheben oder Neupositionieren Ihres Bildschirms müssen Sie möglicherweise die Verbindungskabel und das Netzkabel vom Bildschirm abziehen. Beachten Sie beim Aufstellen des Bildschirms die empfohlenen Techniken zum Anheben des Geräts. Fassen Sie den Bildschirm beim Anheben oder Transportieren an den Kanten. Heben Sie den Bildschirm nicht am Aufstellfuß oder Kabel an.

### Gehen Sie wie folgt vor, um die Bildschirmoberfläche zu reinigen:

- 1 Ziehen Sie das Netzkabel heraus.
- 2 Entfernen Sie mit dem beiliegenden Tuch oder einem anderen weichen, trockenen Tuch den Staub von der Bildschirmoberfläche.

**ACHTUNG:** Reinigen Sie den Bildschirm nicht mit einem alkohol- oder azetonhaltigen Reinigungsmittel. Verwenden Sie nur Reiniger, die speziell für Bildschirme vorgesehen sind. Sprühen Sie den Reiniger niemals direkt auf die Bildschirmoberfläche. Die Flüssigkeit könnte in das Bildschirmgehäuse gelangen und das Gerät beschädigen.

## Beachten Sie die folgenden Sicherheitsrichtlinien für die Verwendung Ihres Bildschirms:

- Die einzige Möglichkeit, die Stromzufuhr vollständig zu unterbrechen, besteht darin, den Netzstecker zu ziehen. Achten Sie darauf, das Kabel am Stecker, nicht am Kabel, aus dem Anschluss herauszuziehen.
- Trennen Sie das Netzkabel sofort vom Stromnetz, falls es beschädigt oder abgenutzt sein sollte, falls Flüssigkeit in den Bildschirm gelangt ist oder der Bildschirm heruntergefallen oder anderweitig beschädigt sein sollte.

**ACHTUNG:** Verwenden Sie ausschließlich das mit Ihrem Display gelieferte Netzkabel. Dieses Gerät muss elektrisch geerdet sein. Schließen Sie das Gerät nur an eine fachgerecht verlegte, geerdete Schuko-Steckdose an. Dies ist eine wichtige Sicherheitsmaßnahme. Entspricht die Steckdose nicht den Vorschriften, muss sie von einem Fachmann neu verlegt werden. Gehen Sie beim Anschließen von Geräten an das Stromnetz stets vorsichtig vor.

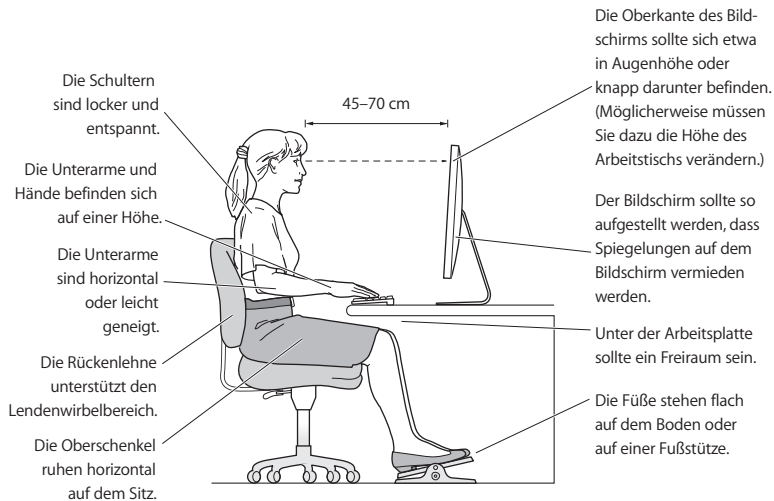
**ACHTUNG:** Bei Ihrem Bildschirm handelt es sich um ein Hochspannungsgerät, das auf keinen Fall geöffnet werden darf, auch dann nicht, wenn es nicht am Stromnetz angeschlossen ist. Wenn Ihr Display gewartet oder repariert werden muss, lesen Sie den Abschnitt „Weitere Informationen, Service und Support“ auf Seite 47.

## Ergonomie

Im Folgenden finden Sie einige Richtlinien, die Sie beim Einstellen Ihres Bildschirms beachten sollten, um ein störungsfreies, bequemes Arbeiten zu ermöglichen.

- Stellen Sie den Bildschirm so auf, dass sich die Oberkante des Bildschirms beim Arbeiten etwa in Augenhöhe oder knapp darunter befindet. Wie groß der Abstand zwischen Bildschirm und Betrachter sein soll, hängt von den jeweiligen Anforderungen ab. Häufig werden Abstände zwischen 45 und 70 cm verwendet.

- Stellen Sie die Neigung des Bildschirms so ein, dass auf der Bildschirmanzeige keine störenden Lichtreflexe von Lampen oder Fenstern zu sehen sind.



Weitere Informationen zur Ergonomie, Sicherheit und Wartung finden Sie auf der Apple Website: [www.apple.com/about/ergonomics](http://www.apple.com/about/ergonomics).

## Fehlerbeseitigung

Bevor Sie eine der im Folgenden beschriebenen Maßnahmen ergreifen, stellen Sie sicher, dass Ihr Computer eingeschaltet ist, der Bildschirm mit dem Stromnetz verbunden ist, alle Kabel korrekt am Computer und am Bildschirm angeschlossen sind und der Ruhezustand Ihres Computers nicht aktiviert ist.

### Wenn auf dem Bildschirm keine Anzeige sichtbar ist:

- Prüfen Sie die Kabel und Stecker erneut, um sicherzustellen, dass sie korrekt mit Computer und Bildschirm verbunden sind.
- Stellen Sie sicher, dass Ihr Computer eingeschaltet ist und sich nicht im Ruhezustand befindet. Wenn der Bildschirm Ihres Computers geschlossen ist, verwenden Sie eine externe Tastatur oder Maus, um den Ruhezustand des Computers zu beenden.
- Setzen Sie das Parameter-RAM zurück, indem Sie den Computer neu starten, während Sie die Befehlstaste (⌘), die Wahltaste (⇧) und die Tasten „P“ und „R“ gleichzeitig drücken und gedrückt halten, bis der Startton ein zweites Mal ertönt.

### Wenn der Bildschirm dunkel ist:

- Stellen Sie sicher, dass die Helligkeit für den Bildschirm korrekt eingestellt ist. Wählen Sie „Apple“ (🍏) > „Systemeinstellungen“ und klicken Sie auf „Monitore“. Bewegen Sie den Helligkeitsregler, um die Helligkeit einzustellen.
- Wenn die Farben zu stark oder nicht korrekt wiedergegeben werden, müssen Sie Ihren Bildschirm möglicherweise kalibrieren. Öffnen Sie die Systemeinstellung „Monitore“, klicken Sie auf „Farbe“ und auf „Kalibrieren“. Befolgen Sie die angezeigten Anleitungen.

### Wenn Ihr Mobilcomputer nicht aufgeladen wird:

Vergewissern Sie sich, dass der MagSafe-Stecker Ihres Displays fest mit dem MagSafe-Netzanschluss Ihres Computers verbunden ist.

## Wenn die integrierte iSight-Kamera, das Mikrofon, die Lautsprecher oder die USB-Anschlüsse am Display nicht funktionieren:

Stellen Sie sicher, dass das USB-Kabel vom Display fest mit dem USB-Anschluss des Computers verbunden ist. Die Kamera, das Mikrofon, die Lautsprecher und die USB-Anschlüsse des Displays funktionieren nur, wenn das Kabel am Computer angeschlossen ist.

### Weitere Informationen zur Fehlerbeseitigung

Mehr Informationen und Tipps zur Fehlerbeseitigung finden Sie auf der Support-Website für Ihr Display unter: [www.apple.com/de/support/displays](http://www.apple.com/de/support/displays)

## Weitere Informationen, Service und Support

Weitere Informationen zu Ihrem Bildschirm finden Sie auf der Apple-Website und in der Mac-Hilfe.

Näheres zum Thema	finden Sie wie folgt
Verwenden des Bildschirms	Wählen Sie in der Menüleiste „Hilfe“ > „Mac-Hilfe“ und suchen Sie nach „Bildschirme“.
Service und Support, Diskussionsforen, Einführungen und Apple-Software zum Laden	Besuchen Sie folgende Website: <a href="http://www.apple.com/de/support/displays">www.apple.com/de/support/displays</a>
Aktuelle Informationen zu Bildschirmen	Besuchen Sie folgende Website: <a href="http://www.apple.com/de/displays">www.apple.com/de/displays</a>
Registrieren des Bildschirms	Besuchen Sie folgende Website: <a href="http://www.apple.com/de/register">www.apple.com/de/register</a>

## Technische Daten

- *Modellnummer:* A1267
- *Auflösung:* 1920 x 1200 bei 60 Hz
- *Anschlüsse:* Drei USB 2.0-Anschlüsse an der Rückseite
- *Kamera und Mikrofon:* Integrierte iSight-Kamera mit Mikrofon
- *Lautsprecher:* Eingebaute 2.1-Lautsprecher mit 12 W-Ausgabe

### **Abmessungen und Gewicht:**

- *Gewicht:* 9,49 kg
- *Höhe:* 478,38 mm
- *Breite:* 573,22 mm
- *Tiefe (mit Standfuß):* 197,10 mm
- *Sichtbare Bildschirmdiagonale:* 24" (609,60 mm) diagonal

### **Umgebungsbedingungen**

- *Betriebstemperatur:* 10 °C bis 35 °C
- *Relative Luftfeuchtigkeit:* 20 % bis 80 % (nicht kondensierend)
- *Höhe über NN:* unterhalb ca. 3000 m, ohne Druckausgleich



# Introduzione

Il monitor Apple LED Cinema Display è progettato per funzionare con la famiglia di computer MacBook dotati di connettore Mini DisplayPort. Dispone di un monitor retroilluminato da 24 pollici, un connettore MagSafe per caricare il tuo computer MacBook, una videocamera iSight, un sistema di altoparlanti e un microfono integrati.

Le istruzioni contenute nelle pagine seguenti ti aiutano a configurare e utilizzare il nuovo monitor e ti spiegano come:

- Collegare il monitor al computer
- Utilizzare la videocamera, il microfono, gli altoparlanti e le porte USB
- Regolare le impostazioni del monitor

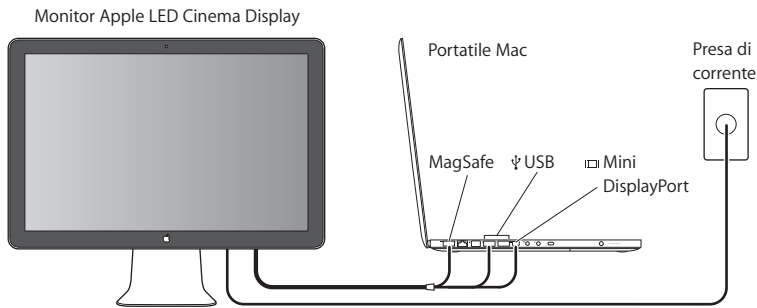
**Importante:** prima di utilizzare il monitor per la prima volta, leggi attentamente le istruzioni sull'installazione (e le informazioni di sicurezza a pagina 56).

Per informazioni su computer e schede grafiche specifici compatibili con il monitor, vai all'indirizzo [www.apple.com/it/displays](http://www.apple.com/it/displays).

## Installare il monitor

Segui questi passi per configurare il monitor Apple LED Cinema Display:

- 1 Rimuovi la pellicola protettiva dal monitor e dai cavi.
- 2 Inserisci il cavo di alimentazione nell'alimentatore di corrente, quindi inserisci la spina CA in una presa dotata di messa a terra.
- 3 Collega il cavo Mini DisplayPort al computer, come mostrato a continuazione.



- 4 Collega il cavo USB al computer per utilizzare la videocamera iSight, le porte USB, gli altoparlanti e il microfono integrati del computer.
- 5 Inserisci il connettore MagSafe nella porta di alimentazione MagSafe del computer per caricare la batteria e fornire alimentazione al computer.
- 6 Premi il pulsante di alimentazione sul computer per avviarlo. Il monitor si accende automaticamente quando avvii il computer.

## Configurare il computer con il coperchio chiuso

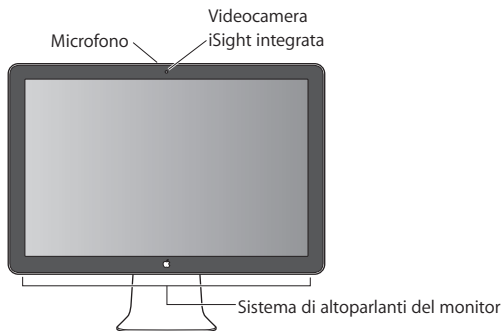
Puoi chiudere il coperchio del computer e utilizzare solamente il monitor Apple LED Cinema Display. Segui le istruzioni di configurazione illustrate nella pagina precedente e assicurati che il connettore MagSafe del monitor sia inserito nella porta di alimentazione di MagSafe del computer.

**Per utilizzare il monitor Apple LED Cinema Display con il monitor del tuo computer chiuso:**

- 1 Collega una tastiera USB esterna ed un mouse alla porta USB del monitor oppure utilizza Impostazione Assistita Bluetooth® per configurare una tastiera e un mouse wireless.
- 2 Assicurati che il computer sia acceso.
- 3 Per metterlo in stop, chiudi il display del computer.
- 4 Attendi alcuni secondi, quindi premi un tasto della tastiera esterna oppure muovi il mouse per riattivare il computer.

## Utilizzare il monitor

Il monitor Apple LED Cinema Display dispone di videocamera iSight, microfono e di un sistema di altoparlanti integrati. Il collegamento USB tra il monitor e il computer abilita tali elementi.



## Configurare l'ingresso e l'uscita di audio

Puoi ascoltare musica, filmati, giochi e documenti multimediali attraverso il sistema di altoparlanti del monitor. Puoi utilizzare il microfono per registrare dei suoni o per parlare con i tuoi amici via iChat. Utilizza le preferenze Audio per gestire l'ingresso e l'uscita di audio.

### Per configurare l'ingresso audio:

- 1 Scegli Apple (🍏) > Preferenze di Sistema, quindi fai clic su Suono.
- 2 Fai clic sul pannello Ingresso, nelle preferenze Audio.

- 3 Scegli "Audio monitor" perché l'ingresso dell'audio avvenga attraverso il microfono del monitor.

**Per configurare l'uscita audio:**

- 1 Fai clic sul pannello Uscita.
- 2 Scegli "Audio monitor" per sentire l'audio attraverso il sistema di altoparlanti del monitor.

Queste impostazioni vengono utilizzate ogni volta che il computer è collegato al monitor. Rimarranno in vigore finché non le modificherai.

### Utilizzare la videocamera iSight integrata

Puoi utilizzare la videocamera iSight e il microfono integrati per acquisire immagini statiche, video e audio con applicazioni come iChat, iMovie e Photo Booth.

**Per configurare la videocamera e il microfono con iChat:**

- 1 Fai clic sull'icona di iChat nel Dock per aprire l'applicazione.
- 2 Scegli iChat > Preferenze, quindi fai clic su Audio/Video.
- 3 Dal menu a comparsa Videocamera, scegli "iSight monitor".
- 4 Dal menu a comparsa Microfono, scegli "Audio monitor".

### Configurare il monitor Apple LED Cinema Display come monitor aggiuntivo

Quando lasci aperto il monitor del computer, puoi visualizzare la stessa immagine su entrambi i monitor oppure puoi utilizzarne uno come estensione della tua scrivania. Utilizza le preferenze Monitor per configurare la duplicazione dello schermo o la scrivania estesa.

### **Per impostare la duplicazione dello schermo o la scrivania estesa:**

- 1 Scegli Apple (🍏) > Preferenze di Sistema, quindi fai clic su Monitor.
- 2 Fai clic su Disposizione e segui le istruzioni su schermo.

### **Regolare il colore e la luminosità**

Puoi utilizzare la tastiera Apple Keyboard per aumentare (⌘+⏏) o diminuire (⌘+⏏) la luminosità del monitor. Inoltre, puoi utilizzare Preferenze di Sistema per regolare le impostazioni di risoluzione, luminosità e colore.

### **Per regolare la risoluzione, il numero di colori o la luminosità del monitor:**

- 1 Scegli Apple (🍏) > Preferenze di Sistema, quindi fai clic su Monitor.
- 2 Fai clic sul pannello Monitor.
- 3 Scegli un'impostazione di risoluzione o di colore, oppure, per regolare la luminosità, trascina il cursore.

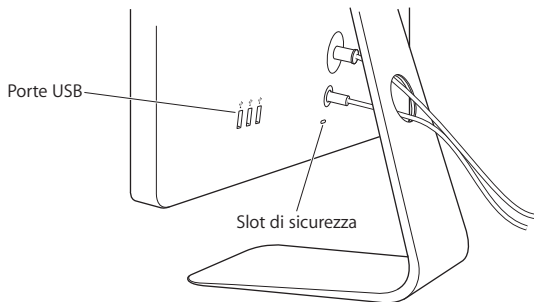
### **Per calibrare il monitor o per modificarne il profilo:**

- 1 Fai clic sul pannello Colore, nelle preferenze Monitor.
- 2 Scegli un profilo per il monitor o fai clic su Calibra per aprire Calibrazione Monitor assistita.

Per ulteriori informazioni sulla calibrazione del monitor, dalla barra dei menu scegli Aiuto > Aiuto Mac, quindi cerca "calibra".

## Utilizzare le porte USB e lo slot di sicurezza

Sul retro, il monitor è dotato di tre porte USB ad alta velocità. Utilizza tali porte per connettere un mouse, una tastiera, iPhone, iPod o altre periferiche USB. Assicurati che il cavo USB del monitor sia collegato al computer.



Per proteggere il monitor, utilizza lo slot di sicurezza per collegarvi il cavo di sicurezza.

## Utilizzare una soluzione di montaggio VESA con il monitor

Puoi installare il monitor sfruttando una soluzione di montaggio alternativa grazie al kit adattatore di montaggio VESA Mount Adapter disponibile su Apple Store in linea all'indirizzo [www.apple.com/it/store](http://www.apple.com/it/store). Il kit ti consente di installare il monitor utilizzando qualsiasi soluzione di montaggio compatibile con lo standard VESA. Attieniti alle istruzioni incluse nel kit.

## Sicurezza e manutenzione

Prima di sollevare o riposizionare il monitor, scollega i cavi e l'alimentazione. Per effettuare qualsiasi spostamento attieniti alla procedura più adeguata. Solleva e trasporta il monitor reggendolo per i bordi e mai tenendolo per la base o per i cavi.

### Per pulire lo schermo del monitor:

- 1 Scollega il cavo di alimentazione.
- 2 Rimuovi la polvere dallo schermo utilizzando il panno fornito in dotazione o un altro panno morbido e asciutto.

**ATTENZIONE:** non pulire lo schermo con detergenti contenenti alcol o acetone. Utilizza un prodotto adatto alla pulizia dello schermo o del monitor. Non utilizzare mai prodotti spray direttamente sullo schermo per evitare che il liquido possa penetrare al suo interno provocando danni.

### Per utilizzare l'alimentatore di corrente attieniti a queste linee guida di sicurezza:

- L'unico modo per interrompere completamente l'alimentazione consiste nello scollegare il cavo di alimentazione afferrandolo per la spina e non direttamente per il cavo.



- Interrompi immediatamente l'alimentazione nel caso in cui il cavo di alimentazione sia in qualche modo danneggiato, qualora abbia versato del liquido sul monitor, o se il monitor dovesse cadere o subire altri tipi di danni.

**ATTENZIONE:** utilizza solamente il cavo di alimentazione in dotazione con il monitor. Il cavo di alimentazione dispone di una spina tripolare con messa a terra (una spina con un terzo pin per la messa a terra) adatta solo a una presa AC con messa a terra. Se non riesci a inserire la spina nella presa perché quest'ultima non è dotata di messa a terra, contatta un elettricista per richiedere l'installazione di una presa appropriata dotata di messa a terra.

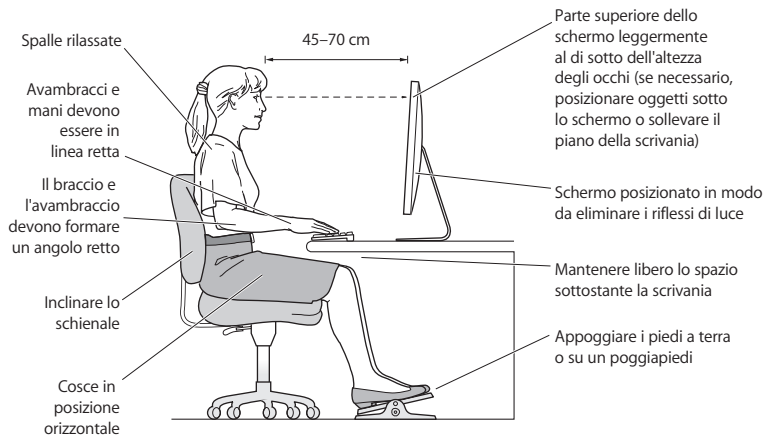
**ATTENZIONE:** il monitor è un componente ad alto voltaggio e non deve mai essere aperto per nessun motivo, neppure quando non è collegato. Se il monitor richiede manutenzione, consulta "Ulteriori informazioni, servizio e supporto" a pagina 60.

## Disposizione dell'ambiente di lavoro

Di seguito sono riportate alcune indicazioni per regolare il monitor in modo da ridurre i riflessi della luce e lavorare in una posizione adatta al proprio corpo.

- Colloca il monitor in modo che la parte superiore dello schermo risulti leggermente al di sotto dell'altezza degli occhi quando si è seduti. La distanza tra gli occhi e il monitor è soggettiva, tuttavia la distanza più diffusa è fra 45 e 70 cm.

- Posiziona il monitor inclinandolo verso l'alto o verso il basso in modo da ridurre al massimo la presenza di riflessi causati da fonti di luce artificiale o naturale.



Per maggiori informazioni sulla salute, la sicurezza e la manutenzione, consulta il sito web di Apple dedicato all'ergonomia all'indirizzo [www.apple.com/it/about/ergonomics](http://www.apple.com/it/about/ergonomics).

## Risoluzione dei problemi del monitor

Prima di eseguire la seguente procedura, assicurati che il computer sia acceso, che il monitor sia collegato ad una fonte di alimentazione, che tutti i cavi siano collegati correttamente al computer e al monitor e che il computer non sia in stop.

### **Se non compare nessuna immagine:**

- Verifica nuovamente che i cavi e i connettori siano collegati correttamente al computer e al monitor.
- Assicurati che il computer sia acceso e che non sia in stop. Se il monitor del computer è chiuso, utilizza la tastiera esterna oppure muovi il mouse per riattivare il computer.
- Reimposta i parametri PRAM riavviando il computer tenendo premuti i tasti Comando (⌘), Opzione, P e R finché non avverti una seconda volta il suono di avvio.

### **Se lo schermo è scuro:**

- Assicurati che i controlli di luminosità del monitor siano impostati in modo corretto. Scegli Apple () > Preferenze di Sistema, quindi fai clic su Monitor. Trascina il cursore della luminosità per regolarla.
- Se i colori del monitor sono troppo saturati o non sono corretti, potresti dovere calibrare il monitor. Apri le preferenze Monitor, fai clic su Colore, fai clic su Calibra e segui le istruzioni.

### **Se il computer portatile non si ricarica:**

Assicurati che il connettore MagSafe del monitor sia inserito correttamente nella porta di alimentazione di MagSafe del computer.

## Se la videocamera iSight, il microfono, gli altoparlanti e le porte USB integrati nel monitor non funzionano:

Assicurati che il cavo USB del monitor sia inserito saldamente nella porta USB del computer. La videocamera, le porte USB, gli altoparlanti e il microfono del monitor funzionano solo quando il cavo è collegato al computer.

## Ulteriori informazioni sulla risoluzione dei problemi

Puoi trovare ulteriori informazioni sulla risoluzione dei problemi tecnici sul sito web di supporto per i monitor all'indirizzo: [www.apple.com/it/support/displays](http://www.apple.com/it/support/displays).

## Ulteriori informazioni, servizio e supporto

Puoi reperire maggiori informazioni riguardo al monitor sul sito web di Apple e in Aiuto Mac.

Per informazioni su	Esegui questa operazione
Utilizzare il monitor	Scegli Aiuto > Aiuto Mac nella barra dei menu e cerca "monitor".
Servizio e assistenza per il monitor, discussioni, risoluzione dei problemi tecnici e download di software Apple	Vai a: <a href="http://www.apple.com/it/support/displays">www.apple.com/it/support/displays</a> .
Le informazioni più recenti sui monitor	Vai a: <a href="http://www.apple.com/it/displays">www.apple.com/it/displays</a> .
Registrare il monitor	Vai a: <a href="http://www.apple.com/it/register">www.apple.com/it/register</a> .

## Specifiche tecniche

- *Numero modello:* A1267
- *Risoluzione:* 1920 x 1200 a 60 Hz
- *Porte:* tre porte USB 2.0 sul retro
- *Videocamera e microfono:* videocamera iSight integrata con microfono
- *Altoparlanti:* altoparlanti 2.1 integrati con uscita a 12 W

### **Dimensioni:**

- *Peso:* 9,49 Kg (20,92 lb)
- *Altezza:* 478,38 mm
- *Larghezza:* 573,22 mm
- *Profondità (con base):* 197,10 mm
- *Area visibile:* 24 pollici (609,60 mm)

### **Ambiente operativo:**

- *Temperatura operativa:* tra 10° e 35° C
- *Umidità relativa:* da 20% a 80% (in assenza di condensa)
- *Altitudine:* da 0 a 3048 metri



# Aan de slag

De Apple LED Cinema Display is ontworpen voor gebruik met computers uit de MacBook-serie die voorzien zijn van een Mini DisplayPort-connector. Dit beeldscherm heeft een 24-inch LED-backlit-breedbeeldscherm, een MagSafe-connector voor het opladen van uw MacBook, een ingebouwde iSight-camera, een luidsprekersysteem en een microfoon.

Aan de hand van de instructies op de volgende pagina's leert u hoe u het nieuwe beeldscherm installeert en gebruikt. De volgende onderwerpen komen aan bod:

- Het beeldscherm op uw computer aansluiten
- De camera, microfoon, luidsprekers en USB-poorten gebruiken
- De beeldscherminstellingen aanpassen

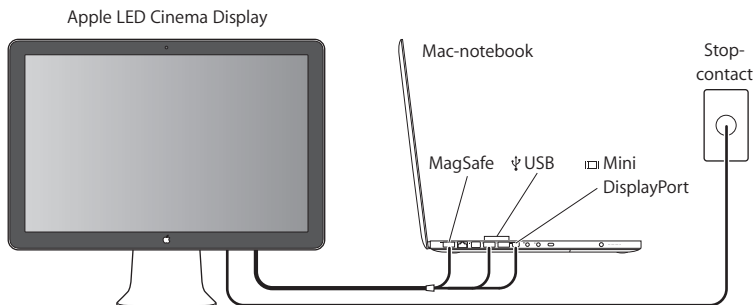
**Belangrijk:** lees alle installatie-instructies (en de veiligheidsinstructies vanaf pagina 70) zorgvuldig door voordat u het scherm voor de eerste keer in gebruik neemt.

Meer informatie over de specifieke computers en videokaarten die compatibel zijn met uw beeldscherm vindt u op [www.apple.com/nl/displays](http://www.apple.com/nl/displays).

## Het beeldscherm installeren

Voer de onderstaande stappen uit om de Apple LED Cinema Display te installeren.

- 1 Verwijder het plastic beschermmateriaal van het beeldscherm en de kabels.
- 2 Sluit het netsnoer aan op het beeldscherm en sluit vervolgens de stekker van het netsnoer aan op een geaard stopcontact.
- 3 Sluit de Mini DisplayPort-kabel op de computer aan (zie onderstaande afbeelding).



- 4 Sluit de USB-kabel op uw computer aan zodat u de ingebouwde iSight-camera, de luidsprekers, de microfoon en de USB-poorten van het beeldscherm kunt gebruiken.
- 5 Sluit de MagSafe-connector aan op de poort voor de MagSafe-lichtnetadapter van uw computer om de batterij op te laden en de computer van stroom te voorzien.
- 6 Zet de computer aan door op de aan/uit-knop te drukken. Het beeldscherm wordt ingeschakeld zodra u de computer aanzet.



## De computer met dichtgeklapt beeldscherm gebruiken

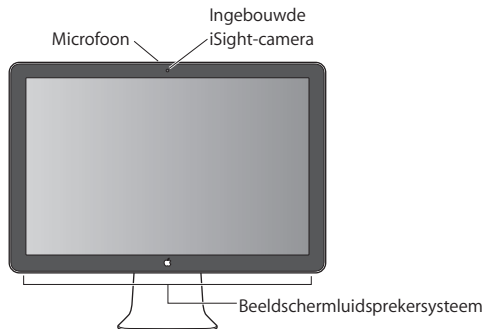
U kunt het beeldscherm van de computer dichtklappen en alleen de Apple LED Cinema Display gebruiken. Volg de installatie-instructies op de vorige pagina en controleer of de MagSafe-connector van het beeldscherm is aangesloten op de poort voor de MagSafe-lichtnetadapter van de computer.

### De Apple LED Cinema Display gebruiken terwijl het beeldscherm van de computer is dichtgeklapt

- 1 Sluit een extern USB-toetsenbord en een USB-muis aan op het beeldscherm of gebruik de Bluetooth®-configuratie-assistent om een draadloos toetsenbord en een draadloze muis te configureren.
- 2 Zorg ervoor dat de computer is ingeschakeld.
- 3 Klap het beeldscherm van de computer dicht om de sluimerstand in te schakelen.
- 4 Wacht een paar seconden en druk vervolgens op een willekeurige toets op het externe toetsenbord of beweeg de muis om de computer uit de sluimerstand te halen.

## Het beeldscherm gebruiken

De Apple LED Cinema Display heeft een ingebouwde iSight-camera, een microfoon en een beeldscherm-luidsprekersysteem. De USB-verbinding tussen het beeldscherm en uw computer zorgt ervoor dat deze voorzieningen kunnen worden gebruikt.



## Geluidsvoer en -uitvoer instellen

U kunt via het luidsprekersysteem van het beeldscherm naar muziek luisteren en het geluid van films, games en ander multimediamaatériau weergeven. Met de microfoon kunt u geluid opnemen of via iChat met vrienden en bekenden praten. In het paneel 'Geluid' in Systeemvoorkeuren kunt u de instellingen voor de geluidsvoer en -uitvoer opgeven.

### De geluidsinvoer instellen

- 1 Kies 'Apple' (🍏) > 'Systeemvoorkeuren' en klik op 'Geluid'.
- 2 Klik op de tab 'Invoer'.
- 3 Kies 'Beeldschermaudio' om geluid in te voeren via de microfoon van het beeldscherm.

### De geluidsuitvoer instellen

- 1 Klik op de tab 'Uitvoer'.
- 2 Kies 'Beeldschermaudio' om geluid te horen via het luidsprekersysteem van uw beeldscherm.

Deze geluidsinstellingen worden steeds gebruikt wanneer de computer op het beeldscherm is aangesloten. Ze blijven van kracht totdat u ze wijzigt.

### De ingebouwde iSight-camera gebruiken

Met de ingebouwde iSight-camera en de microfoon kunt u stilstaande beelden, video en geluid vastleggen in programma's als iChat, iMovie en Photo Booth.

### De camera en microfoon instellen in iChat

- 1 Klik op het iChat-symbool in het Dock om het programma iChat te openen.
- 2 Kies 'iChat' > 'Voorkeuren' en klik vervolgens op 'Audio/Video'.
- 3 Kies 'Beeldscherm-iSight' uit het venstermenu 'Camera'.
- 4 Kies 'Beeldschermaudio' uit het venstermenu 'Microfoon'.

### De Apple LED Cinema Display instellen als extra beeldscherm

Wanneer u het beeldscherm van de computer niet dichtklapt, kunt u hetzelfde beeld op beide beeldschermen weergeven of het bureaublad uitbreiden. U kunt deze voorzieningen in het paneel 'Beeldschermen' in Systeemvoorkeuren instellen.

### **Synchrone weergave of een uitgebreid bureaublad instellen**

- 1 Kies 'Apple' (🍏) > 'Systeemvoorkeuren' en klik op 'Beeldschermen'.
- 2 Klik op 'Rangschikking' en volg de instructies op het scherm.

### **De kleur en helderheid aanpassen**

U kunt uw Apple Keyboard gebruiken om de helderheid van het beeldscherm te verhogen (⌘↑) of te verlagen (⌘↓). U kunt de resolutie, helderheid en kleurinstellingen ook aanpassen via Systeemvoorkeuren.

### **De resolutie, het aantal kleuren of de helderheid van het beeldscherm aanpassen**

- 1 Kies 'Apple' (🍏) > 'Systeemvoorkeuren' en klik op 'Beeldschermen'.
- 2 Klik op de tab 'Beeldscherm'.
- 3 Kies een resolutie of kleurinstelling of sleep de schuifknop 'Helderheid' om de helderheid aan te passen.

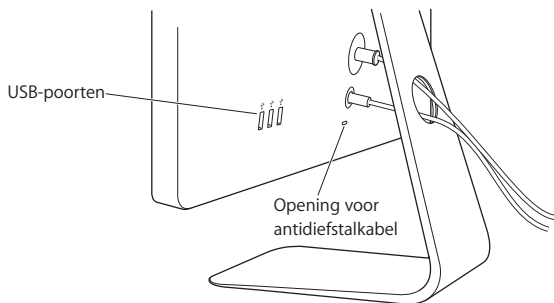
### **Het beeldschermprofiel wijzigen of het beeldscherm kalibreren**

- 1 Klik op de tab 'Kleur' in het paneel 'Beeldschermen' in Systeemvoorkeuren.
- 2 Kies een beeldschermprofiel of klik op 'Kalibreer' om de Beeldschermkalibratie-assistent te openen.

Voor meer informatie over het kalibreren van uw beeldscherm kiest u 'Help' > 'Mac Help' in de menubalk en zoekt u op "kalibreren".

## De USB-poorten en de opening voor een antidiestalkabel gebruiken

Aan de achterzijde van het beeldscherm bevinden zich drie USB-poorten met eigen voeding. Op deze poorten kunt u een muis, toetsenbord, iPhone, iPod of een ander USB-randapparaat aansluiten. Zorg ervoor dat de USB-kabel van het beeldscherm op de computer is aangesloten.



Om het beeldscherm tegen diefstal te beschermen, kunt u een antidiestalkabel gebruiken en deze door de opening aan de achterzijde voeren.

## Een VESA-montageoplossing voor het beeldscherm gebruiken

U kunt het beeldscherm op een andere montageoplossing aansluiten met behulp van de VESA-montageadapterkit. Deze is verkrijgbaar via de online Apple Store op [www.apple.com/nl/store](http://www.apple.com/nl/store). Met deze kit kunt u het beeldscherm bevestigen aan elke VESA-compatibele montageoplossing. Volg de instructies die bij de kit worden meegeleverd.

## Voorzorgsmaatregelen en veiligheid

Voordat u het beeldscherm optilt of op een andere positie plaatst, moet u wellicht de kabels en het netsnoer loskoppelen. Let bij het verplaatsen van het beeldscherm op uw houding. Houd het beeldscherm bij de randen vast wanneer u het beeldscherm optilt of vervoert. Til het beeldscherm niet op aan de standaard of aan het snoer.

### Het beeldscherm schoonmaken

- 1 Koppel het netsnoer los.
- 2 Gebruik de doek die bij het beeldscherm is meegeleverd, of een andere zachte, droge doek om stof van het scherm te vegen.

**WAARSCHUWING:** Reinig het scherm niet met een schoonmaakmiddel dat alcohol of aceton bevat. Gebruik een schoonmaakmiddel dat geschikt is voor beeldschermen. Spuit schoonmaakmiddelen nooit rechtstreeks op het scherm. Het schoonmaakmiddel zou in het beeldscherm terecht kunnen komen en zo schade kunnen veroorzaken.

### Volg deze veiligheidsrichtlijnen voor het gebruik van het beeldscherm:

- U kunt de stroom alleen volledig uitschakelen door de stekker uit het stopcontact te trekken. Trek aan de stekker en niet aan het snoer.

- Schakel de stroom onmiddellijk uit als het netsnoer gerafeld of beschadigd is, als u iets morst op het beeldscherm of als het beeldscherm valt of op een andere manier beschadigd raakt.

**WAARSCHUWING:** Gebruik alleen het netsnoer dat bij het beeldscherm is geleverd. Het netsnoer heeft een stekker die alleen mag worden gebruikt met een geaard stopcontact. Laat, indien nodig, een geaard stopcontact aanleggen door een erkend elektrotechnisch installatiebureau.

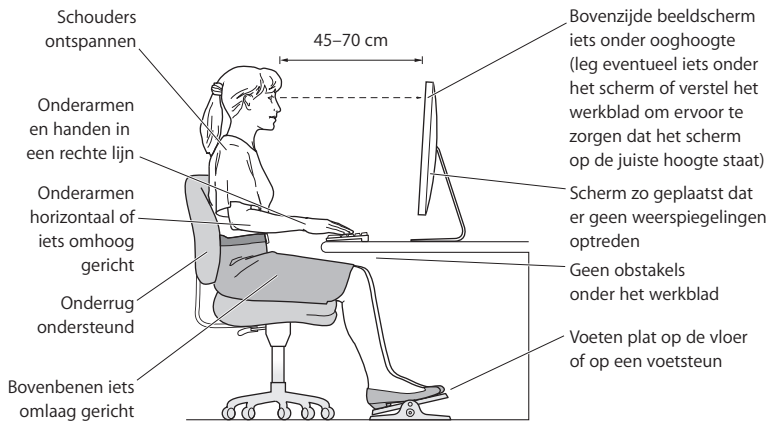
**WAARSCHUWING:** Het beeldscherm heeft een hoog voltage en mag om geen enkele reden worden geopend, zelfs niet wanneer de adapter is losgekoppeld. Zie “Meer informatie over service en ondersteuning” op pagina 74 als het beeldscherm onderhoud nodig heeft.

## Ergonomie

Volg de onderstaande richtlijnen om spiegeling in het beeldscherm te voorkomen en zo comfortabel mogelijk te kunnen werken.

- Zet het beeldscherm zo neer dat de bovenkant van het scherm zich iets onder uw oogniveau bevindt wanneer u achter het toetsenbord zit. De ideale afstand tussen het beeldscherm en uw ogen kunt u zelf bepalen. Gebruikelijk is een afstand tussen 45 en 70 centimeter.

- Plaats het beeldscherm zo dat verlichting en ramen er zo min mogelijk in worden weerspiegeld. U kunt het hiervoor omhoog of omlaag kantelen.



Raadpleeg de website [www.apple.com/nl/about/ergonomics](http://www.apple.com/nl/about/ergonomics) voor meer informatie over veiligheid, onderhoud en ergonomie.



## Problemen met het beeldscherm oplossen

Voordat u een van de onderstaande stappen uitvoert, controleert u of de computer is ingeschakeld, of het beeldscherm op een stopcontact is aangesloten, of alle kabels op de juiste wijze op de computer en het beeldscherm zijn aangesloten en of de computer zich niet in de sluimerstand bevindt.

### Er verschijnt niets op het beeldscherm

- Controleer of de kabels en connectors op de juiste manier zijn aangesloten op de computer en het beeldscherm.
- Controleer of de computer is ingeschakeld en zich niet in de sluimerstand bevindt. Als het beeldscherm van de computer is dichtgeklapt, gebruikt u het externe toetsenbord of de muis om de computer uit de sluimerstand te halen.
- Stel het PRAM opnieuw in door de computer opnieuw op te starten terwijl u de Command-toets (⌘), Option-toets (⌥) en de P- en R-toets ingedrukt houdt totdat u het opstartgeluid voor de tweede keer hoort.

### Het scherm blijft donker

- Controleer of de helderheidsregelaars juist zijn ingesteld. Kies 'Apple' (🍏) > 'Systeemvoorkeuren' en klik op 'Beeldschermen'. Sleep de schuifknop 'Helderheid' om de helderheid aan te passen.
- Als de kleuren op het beeldscherm te verzadigd zijn of niet juist worden weergegeven, moet u het beeldscherm mogelijk kalibreren. Open het paneel 'Beeldschermen' in Systeemvoorkeuren, klik op 'Kleur', klik op de knop 'Kalibreer' en volg de instructies.

### De notebook wordt niet opgeladen

Controleer of de MagSafe-connector van het beeldscherm goed is aangesloten op de poort voor de MagSafe-lichtnetadapter van uw computer.

### De ingebouwde iSight-camera, microfoon, luidsprekers of USB-poorten van het beeldscherm werken niet

Controleer of de USB-kabel van het beeldscherm goed is aangesloten op de USB-poort van de computer. De camera, de microfoon, de luidsprekers en de USB-poorten van het beeldscherm werken alleen als deze kabel op uw computer is aangesloten.

### Meer informatie over het oplossen van problemen

Ga voor meer informatie over het oplossen van problemen naar de ondersteuningswebsite voor beeldschermen op [www.apple.com/nl/support/displays](http://www.apple.com/nl/support/displays).

## Meer informatie over service en ondersteuning

Meer informatie over het beeldscherm kunt u vinden op de website van Apple en in Mac Help.

Meer informatie over	Stappen
Het beeldscherm gebruiken	Kies in de menubalk 'Help' > 'Mac Help' en zoek op "beeldschermen".
Service voor uw beeldscherm, ondersteuning, discussies, oplossingen voor problemen en softwaredownloads	Ga naar <a href="http://www.apple.com/nl/support/displays">www.apple.com/nl/support/displays</a> .
Beeldschermen	Ga naar <a href="http://www.apple.com/nl/displays">www.apple.com/nl/displays</a> .
Het beeldscherm registreren	Ga naar <a href="http://www.apple.com/nl/register">www.apple.com/nl/register</a> .

## Specificaties

- *Modelnummer:* A1267
- *Resolutie:* 1920 x 1200, 60 Hz
- *Poorten:* drie USB 2.0-poorten aan de achterzijde
- *Camera en microfoon:* ingebouwde iSight-camera met microfoon
- *Luidsprekers:* ingebouwde 2.1-luidsprekers met 12 W uitvoer

### **Afmetingen:**

- *Gewicht:* 9,49 kg
- *Hoogte:* 478,38 mm
- *Breedte:* 573,22 mm
- *Diepte (inclusief standaard):* 197,10 mm
- *Weergavegebied:* 609,60 mm diagonaal

### **Omgeving:**

- *Temperatuur bij gebruik:* 10 tot 35 °C
- *Relatieve vochtigheid:* 20% tot 80%, niet-condenserend
- *Hoogte:* 0 tot 3048 meter



# Primeros pasos

La pantalla Apple LED Cinema Display ha sido diseñada para utilizarse con la familia de ordenadores MacBook equipados con un conector Mini DisplayPort. Incorpora una pantalla LED panorámica de 24 pulgadas, un conector MagSafe para recargar el MacBook, una cámara iSight integrada, un sistema de altavoces y un micrófono.

Las instrucciones que figuran en las próximas páginas le ayudarán a instalar y usar su nueva pantalla, y en concreto a:

- conectar la pantalla al ordenador;
- usar la cámara, el micrófono, los altavoces y los puertos USB;
- configurar los ajustes de la pantalla.

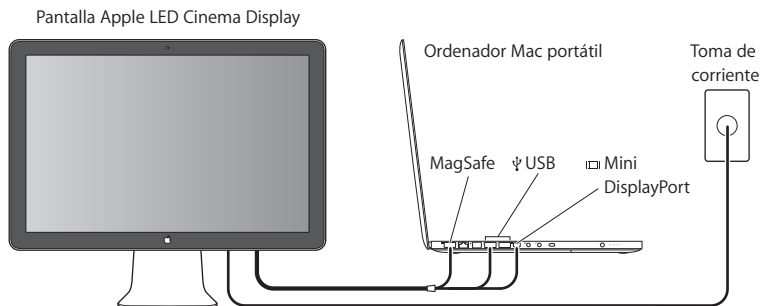
**Importante:** Lea detenidamente todas las instrucciones de instalación (así como la información sobre seguridad de la página 84) antes de usar la pantalla por primera vez.

Para obtener más información acerca de determinados modelos de ordenadores y de tarjetas gráficas compatibles con su pantalla, visite [www.apple.com/es/displays](http://www.apple.com/es/displays).

## Instalación de la pantalla

Siga los pasos que se detallan a continuación para instalar su pantalla Apple LED Cinema Display:

- 1 Retire el plástico protector de la pantalla y de los cables.
- 2 Conecte el cable de alimentación a la pantalla y enchúfelo en una toma de corriente con toma de tierra.
- 3 Conecte el cable Mini DisplayPort al ordenador, tal como se muestra en la imagen.



- 4 Conecte el cable USB al ordenador para usar la cámara iSight integrada, los altavoces, el micrófono y los puertos USB de la pantalla.
- 5 Inserte el conector MagSafe en el puerto de alimentación MagSafe del ordenador para cargar la batería y proporcionar alimentación al ordenador.
- 6 Pulse el botón de arranque del ordenador para encenderlo. La pantalla se encenderá automáticamente cuando se encienda el ordenador.

## Configuración del ordenador con la pantalla integrada cerrada

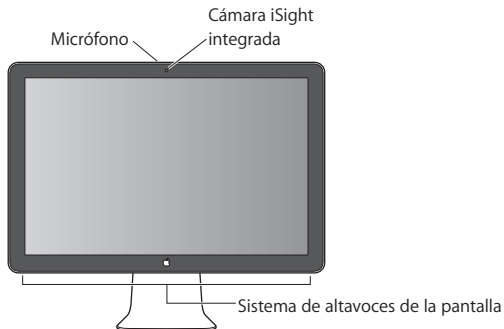
Si lo desea, puede cerrar la pantalla integrada del ordenador y usar únicamente la pantalla Apple LED Cinema Display. Siga las instrucciones de instalación de la página anterior y asegúrese de que el conector MagSafe de la pantalla está conectado al puerto de alimentación MagSafe del ordenador.

**Para usar la pantalla Apple LED Cinema Display con la pantalla integrada del ordenador cerrada:**

- 1 Conecte un teclado USB externo y un ratón al puerto USB de la pantalla o utilice el Asistente Configuración Bluetooth® para configurar un teclado y un ratón inalámbricos.
- 2 Asegúrese de que el ordenador está encendido.
- 3 Cierre la pantalla del ordenador para ponerlo en reposo.
- 4 Espere unos segundos y, a continuación, pulse cualquier tecla del teclado externo o mueva el ratón para activar el ordenador.

## Utilización de la pantalla

La pantalla Apple LED Cinema Display incorpora una cámara iSight integrada, un micrófono y un sistema de altavoces. La conexión USB entre la pantalla y el ordenador permite el funcionamiento de estas funciones.



## Configuración de la entrada y la salida de sonido

Puede escuchar música, películas, juegos y archivos multimedia a través del sistema de altavoces de la pantalla. Puede usar el micrófono para grabar sonidos o hablar con sus amigos mediante iChat. Utilice el panel de preferencias Sonido para configurar la entrada y la salida de sonido.

### Para configurar la entrada de sonido:

- 1 Seleccione Apple (🍏) > Preferencias del Sistema y haga clic en Sonido.
- 2 Haga clic en la pestaña Entrada del panel de preferencias Sonido.



- 3 Seleccione la opción “Audio de la pantalla” para utilizar el micrófono de la pantalla como entrada de audio.

**Para configurar la salida de sonido:**

- 1 Haga clic en la pestaña Salida.
- 2 Seleccione “Audio de la pantalla” para escuchar el sonido a través del sistema de altavoces de la pantalla.

Estos ajustes de sonido se usarán siempre que la pantalla esté conectada al ordenador. Si no los cambia, se mantendrán de forma permanente.

### Uso de la cámara iSight integrada

Puede usar la cámara iSight integrada y el micrófono para capturar imágenes estáticas, vídeo y audio con diversas aplicaciones, como iChat, iMovie y Photo Booth.

**Para configurar la cámara y el micrófono con iChat:**

- 1 Haga clic en el icono de iChat situado en el Dock para abrir la aplicación iChat.
- 2 Seleccione iChat > Preferencias y, a continuación, haga clic en Audio/Vídeo.
- 3 Seleccione “iSight de la pantalla” en el menú local Cámara.
- 4 Seleccione “Audio de la pantalla” en el menú local Micrófono.

### Configuración de la pantalla Apple LED Cinema Display como pantalla adicional

Si deja la pantalla integrada del ordenador abierta, podrá ver la misma imagen en ambas pantallas o bien usarlas para ampliar el escritorio. Para configurar estas dos modalidades (duplicado de vídeo o escritorio ampliado), utilice el panel de preferencias Pantallas.

**Para configurar la modalidad de duplicado de vídeo o la de escritorio ampliado:**

- 1 Seleccione Apple (🍏) > Preferencias del Sistema y haga clic en Pantallas.
- 2 Haga clic en Alineación y siga las instrucciones que aparecen en pantalla.

### Ajuste del color y del brillo

Puede usar el teclado Apple Keyboard para aumentar (⌘+⏏) o reducir (⌘+⏏) el brillo de la pantalla. También pueden ajustarse los ajustes de resolución, brillo y colores desde Preferencias del Sistema.

**Para ajustar la resolución, el número de colores y el brillo de la pantalla:**

- 1 Seleccione Apple (🍏) > Preferencias del Sistema y haga clic en Pantallas.
- 2 Haga clic en la pestaña Pantalla.
- 3 Seleccione una resolución o un ajuste de color, o bien arrastre el regulador de brillo para ajustar el brillo de la pantalla.

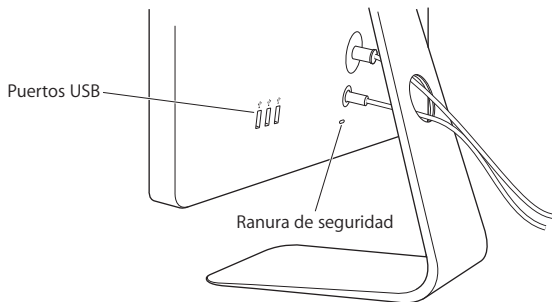
**Para cambiar el perfil de la pantalla o para calibrarla:**

- 1 Haga clic en la pestaña Color del panel de preferencias Pantallas.
- 2 Seleccione un perfil o haga clic en Calibrar para abrir el Asistente del Calibrador de Pantalla.

Para obtener más información acerca de cómo calibrar su pantalla, seleccione Ayuda > “Ayuda Mac” en la barra de menús y, a continuación, busque “calibrar”.

## Uso de los puertos USB y de la ranura de seguridad

La pantalla tiene tres puertos USB en la parte posterior. Úselos para conectar un ratón, un teclado, un iPhone, un iPod u otro dispositivo periférico USB. Asegúrese de que el cable USB de la pantalla está conectado al ordenador.



Para proteger la pantalla, use la ranura de seguridad con un cable de seguridad.

## Utilización de una solución de montaje VESA con la pantalla

Puede colocar su pantalla en otros soportes alternativos mediante el kit de adaptadores de montaje VESA, que puede adquirirse a través de la tienda Apple Store en Internet ([www.apple.com/es/store](http://www.apple.com/es/store)). Con este kit podrá usar diversos soportes compatibles con el estándar VESA con su pantalla. Sólo tiene que seguir las instrucciones del kit.

## Mantenimiento y seguridad

Antes de levantar la pantalla o cambiarla de lugar, debe desconectar los cables y el cable de alimentación. Cuando levante la pantalla, hágalo de la forma adecuada. Sosténgala siempre por los bordes para levantarla o trasladarla. No la levante por el pie o el cable.

### Para limpiar la pantalla:

- 1 Desconecte el cable de alimentación.
- 2 Use el paño que venía incluido con la pantalla u otro paño suave y seco para quitarle el polvo.

**ADVERTENCIA:** No utilice ningún producto que contenga alcohol o acetona. Use un limpiador específico para pantallas y no lo aplique directamente sobre ella, pues podría filtrarse hacia el interior de la pantalla y provocar daños.

### Siga estas instrucciones de seguridad para usar la pantalla:

- La única manera de desconectar completamente la pantalla de la corriente es desenchufar el cable de alimentación. Recuerde tirar del enchufe, no del cable.
- Desconecte el ordenador de la corriente inmediatamente si el cable de alimentación está roto o dañado, si se derrama líquido sobre la pantalla o si ésta sufre una caída o está dañada.

**ADVERTENCIA:** Utilice únicamente el cable de alimentación que venía con la pantalla. El cable de alimentación tiene un enchufe con toma de tierra y sólo puede acoplarse a una toma de CA del mismo tipo. Si no puede introducir el enchufe en la toma de corriente porque ésta no posee toma de tierra, póngase en contacto con un electricista para sustituir la toma de corriente por una adecuada.

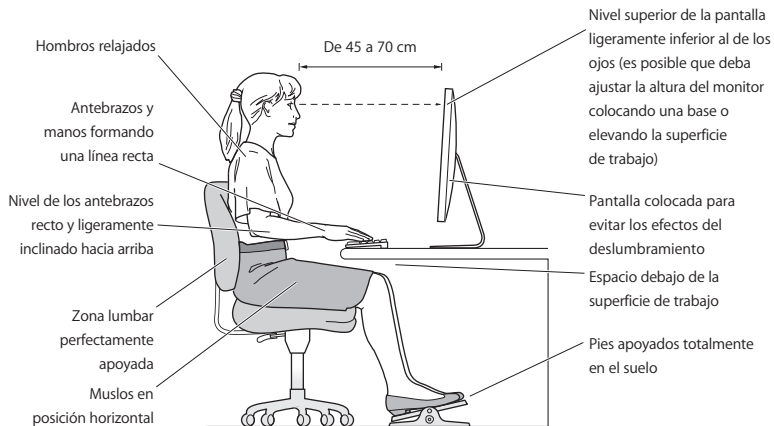
**ADVERTENCIA:** La pantalla es un componente de alto voltaje y por ello no debe abrirse bajo ninguna circunstancia, incluso aunque esté desenchufada. Si es necesario reparar la pantalla, consulte el apartado “Más información, servicio y soporte” en la página 88.

## Ergonomía

Siga estos consejos para eliminar los reflejos de la pantalla y colocarla de la manera que le resulte más cómoda y adecuada.

- Coloque la pantalla de forma que la parte superior quede ligeramente por debajo de la altura de sus ojos cuando esté sentado ante el teclado. La distancia desde sus ojos a la pantalla depende de sus preferencias, aunque la mayoría de los usuarios se sitúan a una distancia de entre 45 y 70 cm.

- Ajuste la posición de la pantalla inclinándola hacia arriba o hacia abajo para minimizar los reflejos causados por la luz procedente de lámparas de techo y ventanas cercanas.



Si desea más información sobre salud, seguridad y mantenimiento, visite el sitio web de Apple sobre ergonomía ([www.apple.com/es/about/ergonomics](http://www.apple.com/es/about/ergonomics)).

## Solución de problemas con la pantalla

Antes de realizar alguna de las acciones que indicamos en este apartado, compruebe que el ordenador esté encendido, que la pantalla esté enchufada a una toma de corriente, que todos los cables estén conectados adecuadamente al ordenador y a la pantalla, y que el ordenador no esté en modo de reposo.

### **Si no se ve nada en la pantalla:**

- Vuelva a comprobar los cables y los conectores para asegurarse de que estén bien conectados al ordenador y a la pantalla.
- Asegúrese de que el ordenador esté encendido y no se encuentre en modo reposo. Si la pantalla integrada de su ordenador está cerrada, use el teclado externo o el ratón para activar el ordenador si estaba en reposo.
- Reinicie la PRAM reiniciando el ordenador mientras pulsa las teclas Comando (⌘), Opción, P y R simultáneamente hasta que oiga el sonido de arranque por segunda vez.

### **Si la pantalla se ve oscura:**

- Compruebe también que los controles de brillo de la pantalla estén ajustados correctamente. Seleccione Apple () > Preferencias del Sistema y haga clic en Pantallas. Arrastre el regulador de brillo para ajustar el brillo de la pantalla.
- Si los colores de la pantalla están demasiado saturados o no se visualizan correctamente, puede que sea necesario calibrar la pantalla. Abra el panel de preferencias Pantallas, haga clic en Color, haga clic en Calibrar y siga las instrucciones.

### **Si su ordenador portátil no se está cargando:**

Asegúrese de que el conector MagSafe de la pantalla esté conectado correctamente al puerto de alimentación MagSafe del ordenador.

Si la cámara iSight integrada, el micrófono, los altavoces o los puertos USB de la pantalla no funcionan:

Asegúrese de que el cable USB de la pantalla esté conectado firmemente al puerto USB del ordenador. La cámara, el micrófono, los altavoces y los puertos USB de la pantalla solo funcionan si este cable está conectado al ordenador.

### Información adicional sobre solución de problemas

Puede encontrar más información sobre la solución de problemas en la página web de soporte para pantallas: [www.apple.com/es/support/displays](http://www.apple.com/es/support/displays).

### Más información, servicio y soporte

Puede encontrar más información sobre su pantalla en la página web de Apple y en la Ayuda Mac.

Para obtener información sobre...	Haga lo siguiente
Utilización de la pantalla	Seleccione Ayuda > "Ayuda Mac" en la barra de menús y busque "pantallas".
Servicio, soporte, foros de debate, solución de problemas y descargas de software relacionadas con las pantallas	Vaya a: <a href="http://www.apple.com/es/support/displays">www.apple.com/es/support/displays</a> .
La información más reciente sobre pantallas	Vaya a: <a href="http://www.apple.com/es/displays">www.apple.com/es/displays</a> .
Registro de la pantalla	Vaya a: <a href="http://www.apple.com/es/register">www.apple.com/es/register</a> .



## Especificaciones

- *Número de modelo:* A1267
- *Resolución:* 1920 x 1200 a 60 Hz
- *Puertos:* tres puertos USB 2.0 en la parte posterior
- *Cámara y micrófono:* cámara iSight integrada con micrófono
- *Altavoces:* altavoces 2.1 integrados con una salida de 12 W

### Dimensiones:

- *Peso:* 9,49 kg
- *Altura:* 478,38 mm
- *Anchura:* 573,22 mm
- *Profundidad (con soporte):* 197,10 mm
- *Tamaño de la pantalla:* 24 pulgadas (609,60 mm) en diagonal

### Entorno operativo

- *Temperatura operativa:* de 10 a 35 °C
- *Humedad relativa:* 20–80% (sin condensación)
- *Altitud:* de 0 a 3.048 metros



# Introduktion

Din Apple LED Cinema Display er designet til at arbejde problemløst med MacBook-computere, som har et Mini DisplayPort-stik. Den har en bred 24" skærm med LED-baggrundsbelysning, et MagSafe-stik til opladning af MacBook-computeren, et indbygget iSight-kamera, højttalere og en mikrofon.

Instruktionerne på de følgende sider hjælper dig med at indstille og bruge den nye skærm, inklusive:

- Slutte skærmen til computeren
- Bruge kamera, mikrofon, højttalere og USB-porte
- Justere skærmindstillinger

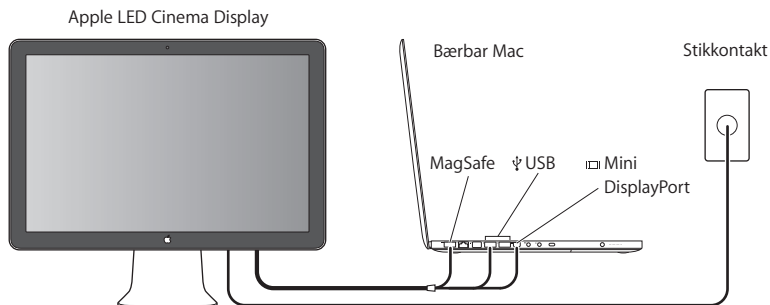
**Vigtigt:** Læs hele installeringsvejledningen (og alle sikkerhedsoplysningerne på side 98) grundigt, før du begynder at bruge skærmen.

Gå ind på [www.apple.com/dk/displays](http://www.apple.com/dk/displays), hvis du vil vide, hvilke computere og skærmkort der er kompatible med skærmen.

## Opstille skærmen

Følg disse trin ved opstilling af Apple LED Cinema Display:

- 1 Fjern beskyttelsesfilmen fra skærmen og kablerne.
- 2 Sæt netstikket i skærmen, og sæt derefter den anden ende af netledningen i en jordet stikkontakt.
- 3 Slut Mini DisplayPort-kablet til computeren som vist nedenfor.



- 4 Slut USB-kablet til computeren, så du kan bruge skærmens indbyggede iSight-kamera, højttalere, mikrofon og USB-porte.
- 5 Sæt MagSafe-stikket i MagSafe-strømforsyningsporten på computeren for at oplade batteriet og levere strøm til computeren.
- 6 Tryk på afbryderknappen på computeren for at starte den. Skærmen tænder automatisk, når du starter computeren.

## Indstille computeren, når den indbyggede skærm er slået ned

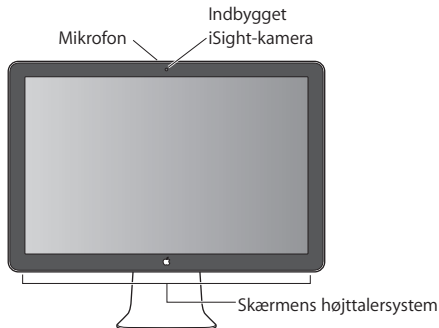
Du kan slå skærmen på computeren ned og kun bruge din Apple LED Cinema Display. Følg instruktionerne på den foregående side, og sørg for, at MagSafe-stikket fra skærmen sidder i MagSafe-strømforsyningsporten på computeren.

**Du bruger din Apple LED Cinema Display, når skærmen på computeren er slået ned, på følgende måde:**

- 1 Slut et eksternt USB-tastatur og en mus til USB-porten på bagsiden af skærmen, eller brug Bluetooth-indstillingsassistent til at indstille et trådløst tastatur og en trådløs mus.
- 2 Sørg for, at computeren er tændt.
- 3 Slå skærmen på computeren ned for at sætte computeren på vågeblus.
- 4 Vent nogle sekunder, og tryk derefter på en vilkårlig tast på det eksterne tastatur, eller flyt musen for at afbryde vågeblus.

## Bruge skærmen

Din Apple LED Cinema Display har et indbygget iSight-kamera, en indbygget mikrofon og indbyggede højttalere. USB-forbindelsen mellem skærmen og computeren gør det muligt at benytte disse funktioner.



## Indstille lyd ind og lyd ud

Du kan lytte til musik, film, spil og multimediearkiver via skærmens højttalere. Du kan bruge mikrofonen til at optage lyd eller tale med dine venner vha. iChat. Brug vinduet Lyd i Systemindstillinger til at administrere lyd ind og lyd ud.

### Du indstiller lyd ind på følgende måde:

- 1 Vælg Apple (🍏) > Systemindstillinger, og klik på Lyd.
- 2 Klik på fanen Lyd ind i vinduet Lyd.
- 3 Vælg Skærmlyd for at bruge skærmens mikrofon til lyd ind.

**Du indstiller lyd ud på følgende måde:**

- 1 Klik på fanen Lyd ud.
- 2 Vælg Skærmlyd for at høre lyd via skærmens højttalere.

Disse lydindstillinger bliver brugt, når computeren er sluttet til skærmen. De bliver brugt, indtil du ændrer dem.

## Bruge det indbyggede iSight-kamera

Du kan bruge det indbyggede iSight-kamera og mikrofonen til at optage stillbilleder, video og lyd med programmer som iChat, iMovie og Photo Booth.

**Du indstiller kamera og mikrofon med iChat på følgende måde:**

- 1 Klik på symbolet for iChat i Dock for at åbne programmet iChat.
- 2 I iChat skal du vælge iChat > Indstillinger og derefter klikke på Lyd/video.
- 3 Vælg Skærmens iSight på lokalmenuen Kamera.
- 4 Vælg Skærmlyd på lokalmenuen Mikrofon.

## Indstille Apple LED Cinema Display som en ekstra skærm

Når skærmen på computeren er slået op, kan du vise det samme skærbillede på begge skærme eller bruge den ekstra skærm som en udvidelse af skrivebordet. Brug vinduet Skærm til at indstille skærmdublering eller udvidet skrivebord.

**Du indstiller skærmdublering eller udvidet skrivebord på følgende måde:**

- 1 Vælg Apple () > Systemindstillinger, og klik på Skærm.
- 2 Klik på Opstilling, og følg vejledningen på skærmen.

## Justere farve og lysstyrke

Du kan bruge dit Apple Keyboard til at øge (⌘+) eller mindske (⌘-) lysstyrken på skærmen. Du kan også bruge Systemindstillinger til at justere indstillinger til skærmens opløsning, lysstyrke og farver.

**Du justerer opløsningen, antallet af farver eller lysstyrken på skærmen på følgende måde:**

- 1 Vælg Apple (🍏) > Systemindstillinger, og klik på Skærm.
- 2 Klik på fanen Skærm.
- 3 Vælg en opløsning eller farveindstilling, eller træk mærket Lysstyrke for at justere lysstyrken.

**Du ændrer skærmbeskrivelsen eller kalibrerer skærmen på følgende måde:**

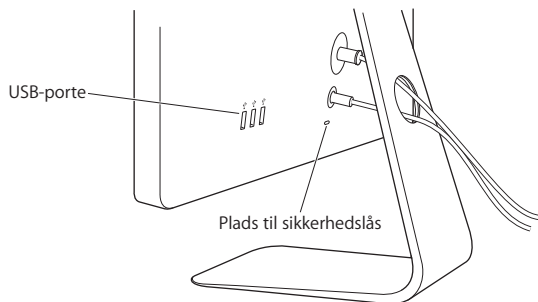
- 1 Klik på fanen Farve ind i vinduet Skærm.
- 2 Vælg en skærmbeskrivelse, eller klik på Kalibrer for at åbne Kalibreringsassistent.

Hvis du vil have flere oplysninger om kalibrering af skærmen, skal du vælge Hjælp > Mac-hjælp på menulinjen og søge efter "kalibrere".



## Bruge USB-portene og pladsen til sikkerhedslåsen

Skærmen har tre aktive USB-porte på bagsiden. Brug disse porte til at tilslutte en mus, et tastatur, iPhone, iPod eller en anden USB-enhed. Sørg for, at skærmens USB-kabel er sluttet til computeren.



Du sikrer skærmen ved at bruge pladsen til sikkerhedslåsen til et sikkerhedskabel.

## Bruge en VESA Mounting Solution med skærmen

Du kan montere skærmen på en alternativ fod vha. et VESA Mount Adapter Kit, som kan købes fra Apple Online Store på [www.apple.com/dk/store](http://www.apple.com/dk/store). Brug sættet til at montere skærmen på en af de tilgængelige VESA-kompatible fødder. Følg blot de instruktioner, der følger med udstyret.

## Vedligeholdelse og sikkerhed

Før du løfter eller flytter skærmen, skal du evt. afmontere kabler og strømforsyning. Brug korrekt løfteteknik, når du flytter skærmen. Tag fat i skærmens sider, når du løfter eller bærer skærmen. Løft ikke skærmen i foden eller ledningerne.

### Du rengør skærmen på følgende måde:

- 1 Tag netledningen ud.
- 2 Brug den klud, der fulgte med skærmen, eller en anden blød og tør klud til at tørre støvet af skærmen.

**ADVARSEL:** Brug ikke rengøringsmidler, der indeholder sprit eller acetone. Brug et rengøringsmiddel, der er beregnet til skærme. Sprøjt aldrig rensmiddel direkte på skærmen. Hvis du gør det, drypper det måske ind i skærmen, hvor det kan forårsage skader.

### Følg disse sikkerhedsretningslinjer ved brug af skærmen:

- Du kan kun afbryde strømmen helt ved at trække netledningen ud. Sørg for, at du trækker i stikket, ikke i ledningen.
- Tag netledningen ud med det samme, hvis stikket er beskadiget, eller ledningerne er flossede, hvis du spilder noget på skærmen, eller hvis skærmen vælter eller bliver beskadiget på anden vis.

**ADVARSEL:** Brug kun den netledning, der fulgte med skærmen. Netledningen er udstyret med et jordet stik med tre ben, der kun passer til en stikkontakt med jordforbindelse. Hvis du ikke kan sætte stikket i en stikkontakt, fordi den ikke har jordforbindelse, skal du kontakte en elektriker for at få installeret en stikkontakt med jordforbindelse.

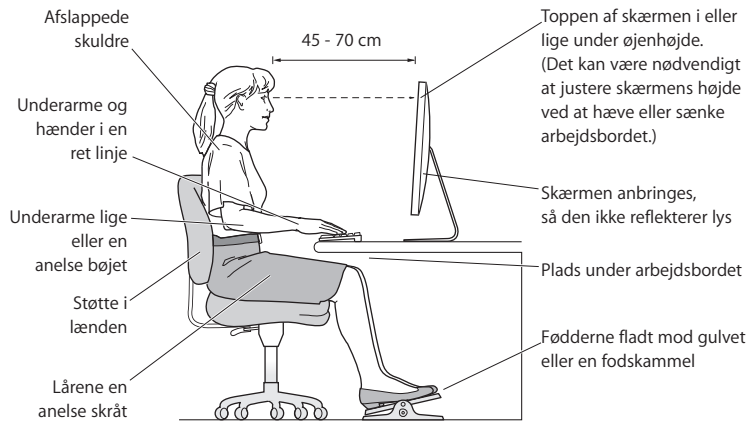
**ADVARSEL:** Skærmen er en stærkstrømskomponent, og du bør under ingen omstændigheder åbne den, heller ikke når strømmen til er afbrudt. Hvis skærmen har brug for service, skal du læse "Flere oplysninger samt service og support" på side 102.

## Ergonomi

Dette afsnit indeholder nogle gode råd om, hvordan du justerer skærmen, så du undgår lysreflekser og får den bedste arbejdsstilling.

- Anbring skærmen, så dens overkant er lige i eller en anelse under øjenhøjde, når du sidder ved tastaturet. Du bestemmer selv, hvor langt fra skærmen du vil sidde, men 45 til 70 cm er normalt.

- Vip skærmen op eller ned for at undgå lysreflekser fra loftsbelysning og vinduer.



Du kan få flere oplysninger om ergonomi, sikkerhed og vedligeholdelse på adressen [www.apple.com/about/ergonomics](http://www.apple.com/about/ergonomics).

## Fejlfinding til skærmen

Før du prøver nogle af disse forslag, skal du sørge for, at computeren er tændt, at skærmen er sluttet til en stikkontakt, at alle kabler er sluttet korrekt til computeren og skærmen, og at computeren ikke er på vågeblus.

### Hvis der ikke er noget billede på skærmen:

- Kontroller alle kablerne og stikkene igen, og sørg for, at de er sluttet korrekt til computeren og skærmen.
- Sørg for, at computeren er tændt, og at den ikke er på vågeblus. Hvis computerens skærm er slået ned, kan du bruge det eksterne tastatur eller musen til at afbryde vågeblus.
- Nulstil parameterhukommelsen (PRAM) ved at starte computeren igen og holde Kommando (⌘), Alternativ (⇧), P og R nede, indtil du hører computerens startlyd anden gang.

### Hvis skærmen er mørk:

- Sørg for, at skærmens lysstyrke er indstillet korrekt. Vælg Apple (🍏) > Systemindstillinger, og klik på Skærm. Træk mærket Lysstyrke for at justere lysstyrken.
- Hvis farverne på skærmen er for mættede eller ikke er korrekte, skal du måske kalibrere skærmen. Åbn vinduet Skærm i Systemindstillinger, klik på Farve, klik på Kalibrer, og følg instruktionerne.

### Hvis den bærbare computer ikke oplader:

Sørg for, at MagSafe-stikket fra skærmen sidder korrekt MagSafe-strømforsyningsporten på computeren.

Hvis det indbyggede iSight-kamera, mikrofonen, højttalerne eller USB-portene på skærmen ikke virker:

Sørg for, at USB-kablet fra skærmen sidder korrekt i USB-porten på computeren.

Skærmens kamera, mikrofon, højttalere og USB-porte virker kun, hvis kablet er tilsluttet computeren.

## Flere oplysninger om fejlfinding

Der findes flere oplysninger om fejlfinding på webstedet med skærmsupport på: [www.apple.com/dk/support/displays](http://www.apple.com/dk/support/displays)

## Flere oplysninger samt service og support

Du kan finde flere oplysninger om skærmen på Apples websted og i Mac-hjælp.

Hvis du vil læse om	Skal du gøre følgende:
Brug af skærmen	Vælg Hjælp > Mac-hjælp på menulinjen, og søg efter "skærme".
Service og support til skærme, diskussioner, fejlfinding og softwareoverførsler	Gå til: <a href="http://www.apple.com/dk/support/displays">www.apple.com/dk/support/displays</a>
De nyeste oplysninger om skærme	Gå til: <a href="http://www.apple.com/dk/displays">www.apple.com/dk/displays</a>
Registrering af skærmen	Gå til: <a href="http://www.apple.com/dk/register">www.apple.com/dk/register</a>

## Specifikationer

- *Modelnummer:* A1267
- *Opløsning:* 1920 x 1200 ved 60 Hz
- *Porte:* Tre USB 2.0-porte på bagsiden
- *Kamera og mikrofon:* Indbygget iSight-kamera med mikrofon
- *Højtalere:* Indbyggede 2.1-højtalere med 12 W udgangseffekt

### Størrelse:

- *Vægt:* 9,49 kg
- *Højde:* 478,38 mm
- *Bredde:* 573,22 mm
- *Dybde (med fod):* 197,10 mm
- *Billedområde:* 24" (diagonalt)

### Driftsomgivelser:

- *Driftstemperatur:* 10° til 35° C
- *Relativ luftfugtighed:* 20% til 80% (ikke kondenserende)
- *Højde:* 0 til 3.048 meter





# Introdução

O monitor Apple LED Cinema Display é concebido para funcionar integrado com a família de computadores MacBook que possuam um conector Mini DisplayPort. Apresenta um monitor de ecrã panorâmico de 24 polegadas com retroiluminação LED, um conector MagSafe para carregar o computador MacBook, uma câmara iSight integrada, um sistema de altifalantes e um microfone.

As instruções nas páginas seguintes ajudam a instalar e utilizar o seu novo monitor, incluindo:

- Ligar o monitor ao computador
- Utilizar a câmara, microfone, altifalantes e portas USB
- Ajustar as definições do monitor

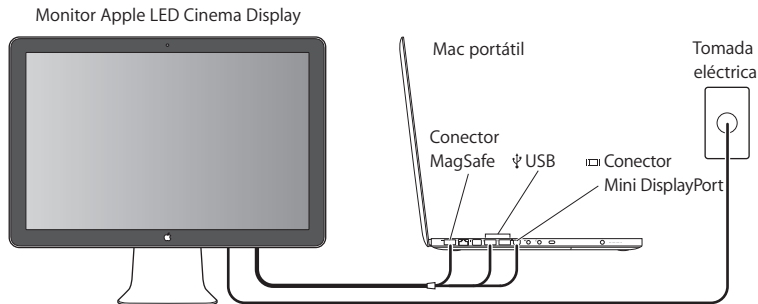
**Importante:** Leia atentamente todas as instruções de instalação (e as informações sobre segurança a partir da página 112), antes de utilizar o monitor pela primeira vez.

Para obter informações acerca de computadores específicos e placas gráficas compatíveis com o seu monitor, visite [www.apple.com/pt/displays](http://www.apple.com/pt/displays).

## Instalação do monitor

Siga estes passos para instalar o monitor Apple LED Cinema Display:

- 1 Remova a película protectora do monitor e dos cabos.
- 2 Introduza o cabo de alimentação no monitor e a ficha CA numa tomada de terra.
- 3 Ligue o cabo Mini DisplayPort ao computador, conforme ilustrado em baixo.



- 4 Ligue o cabo USB ao computador para utilizar a câmara iSight integrada do monitor, altifalantes, microfone e portas USB.
- 5 Ligue o conector MagSafe à porta de alimentação MagSafe no computador para carregar a bateria e fornecer energia ao computador.
- 6 Prima o botão de alimentação no computador para que arranque. O monitor liga-se automaticamente quando inicia o computador.

## Instalação do computador com a tampa fechada

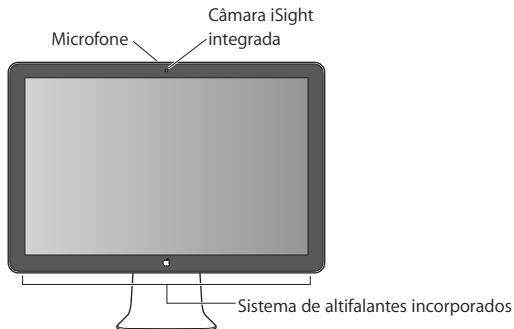
É possível fechar a tampa do computador e utilizar apenas o monitor Apple LED Cinema Display. Siga as instruções de instalação na página anterior e certifique-se de que o conector MagSafe do monitor está ligado à porta de alimentação MagSafe no computador.

**Para utilizar o monitor Apple LED Cinema Display com o ecrã do computador fechado:**

- 1 Ligue um teclado USB externo e rato à porta USB no monitor ou utilize o Assistente de Configuração Bluetooth® para configurar um teclado e rato sem fios.
- 2 Certifique-se de que o computador está ligado.
- 3 Feche o ecrã do computador para o colocar em modo de suspensão.
- 4 Aguarde alguns segundos, e depois prima qualquer tecla no teclado externo ou mova o rato para reactivar o computador.

## Utilização do monitor

O monitor Apple LED Cinema Display inclui uma câmara iSight integrada, um microfone e um sistema de altifalantes incorporados. A ligação USB entre o monitor e o computador possibilita estas funcionalidades.



## Configuração da entrada e saída de som

É possível ouvir música, filmes, jogos e ficheiros multimédia através do sistema de altifalantes incorporados no monitor. Pode utilizar o microfone para gravar sons, ou falar com amigos através do iChat. Utilize o painel de preferências Som para gerir a entrada e saída de som.

### Para configurar a entrada de som:

- 1 Seleccione Apple (🍏) > Preferências do Sistema, e depois clique em Som.
- 2 Clique no separador Entrada no painel de preferências Som.

- 3 Selecione “Áudio do monitor” para que a entrada do som seja feita através do microfone do monitor.

**Para configurar a saída de som:**

- 1 Clique no separador Saída.
- 2 Selecione “Áudio do monitor” para ouvir o som através do sistema de altifalantes.

Estas configurações de som são utilizadas sempre que o computador estiver ligado ao monitor. E permanecerão em vigor até que as altere.

### Utilização da câmara iSight integrada

Pode utilizar a câmara iSight integrada e o microfone para captar imagens, vídeos e áudio através de aplicações como o iChat, iMovie e Photo Booth.

**Para configurar a câmara e o microfone com o iChat:**

- 1 Clique no ícone do iChat na Dock para abrir a aplicação iChat.
- 2 Selecione iChat > Preferências, e clique em Áudio/Vídeo.
- 3 Selecione “iSight do monitor” no menu instantâneo Câmara.
- 4 Selecione “Áudio do monitor” no menu instantâneo Microfone.

### Configuração do Apple LED Cinema Display como monitor adicional

Quando deixa o ecrã do computador aberto, pode espelhar a mesma imagem em ambos os ecrãs ou utilizar os monitores como uma ampliação da Secretária. Utilize o painel de preferências Ecrãs para configurar os múltiplos monitores ou a Secretária ampliada.

**Para definir os múltiplos monitores ou a Secretária ampliada:**

- 1 Selecione Apple (🍏) > Preferências do Sistema, e depois clique em Ecrãs.
- 2 Clique em Organização e siga as instruções no ecrã.

## Ajuste da cor e do brilho

É possível utilizar o teclado Apple para aumentar (⌘) ou reduzir (⌘) o brilho do monitor. Pode também utilizar as Preferências do Sistema para ajustar a resolução, o brilho e as definições de cor.

### **Para ajustar a resolução, o número de cores ou o brilho do monitor:**

- 1 Seleccione Apple (🍏) > Preferências do Sistema, e depois clique em Ecrãs.
- 2 Clique no separador Monitor.
- 3 Escolha uma resolução ou definição de cores, ou desloque o nível em Brilho para ajustar o brilho.

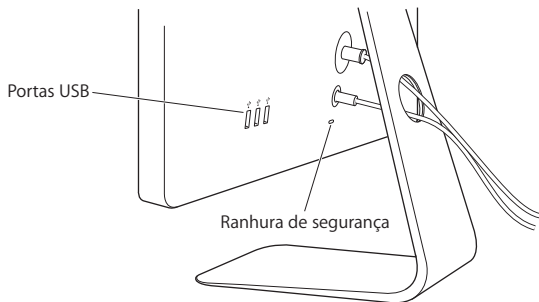
### **Para alterar o perfil do monitor ou calibrar o monitor:**

- 1 Clique no separador Cor no painel de preferências Ecrãs.
- 2 Escolha um perfil de monitor, ou clique em Calibrar para abrir o Assistente de Calibração do Monitor.

Para obter mais informações acerca da calibração do monitor, seleccione Ajuda > Ajuda Mac na barra de menus e pesquise “calibrar”.

## Utilização das portas USB e da ranhura de segurança

O seu monitor possui três portas USB na parte de trás. Utilize estas portas para ligar um rato, teclado, iPhone, iPod ou outro periférico USB. Certifique-se de que o cabo USB do monitor está ligado ao computador.



Para proteger o monitor, utilize a ranhura de segurança para prender um cabo de bloqueio.

## Utilização de uma solução de montagem VESA no monitor

É possível prender o monitor a uma solução de montagem alternativa, utilizando o kit adaptador de montagem VESA disponível na Apple Online Store em [www.apple.com/pt/store](http://www.apple.com/pt/store). Utilize o kit para prender o monitor a qualquer solução de montagem compatível com VESA. Basta seguir as instruções incluídas no kit.

## Cuidado e segurança

Antes de levantar ou reposicionar o monitor, poderá ser necessário desligar os cabos e o cabo de alimentação. Utilize as técnicas de elevação apropriadas para posicionar o monitor. Ao levantar ou transportar o monitor, segure-o pelas extremidades. Não levante o monitor pelo suporte ou pelo cabo.

### Para limpar o ecrã do monitor:

- 1 Desligue o cabo de alimentação.
- 2 Utilize o pano fornecido com o monitor ou outro pano macio e seco para limpar o pó do ecrã.

**AVISO:** Não limpe o ecrã com um detergente que contenha álcool ou acetona. Utilize um detergente específico para ecrãs ou monitores. Nunca pulverize o detergente directamente sobre o ecrã. Ele poderá gotejar para dentro do monitor e causar danos.

### Siga estas directrizes de segurança durante a utilização do monitor:

- A única forma de desligar a corrente completamente é desligar o cabo de alimentação. Assegure-se que puxa a ficha e não o cabo.
- Desligue a corrente imediatamente, se o cabo de alimentação estiver gasto ou danificado, se verter algo no monitor, ou se o monitor cair ou ficar danificado de qualquer forma.

**AVISO:** Utilize apenas o cabo de alimentação fornecido com o monitor. O cabo de alimentação tem uma ficha com ligação à terra de três fios (uma ficha com um terceiro pino de terra) adequada apenas para uma tomada CA de terra. Se não conseguir introduzir a ficha numa tomada porque a tomada não tem ligação à terra, contacte um electricista qualificado para substituir a tomada por uma tomada de terra adequada.



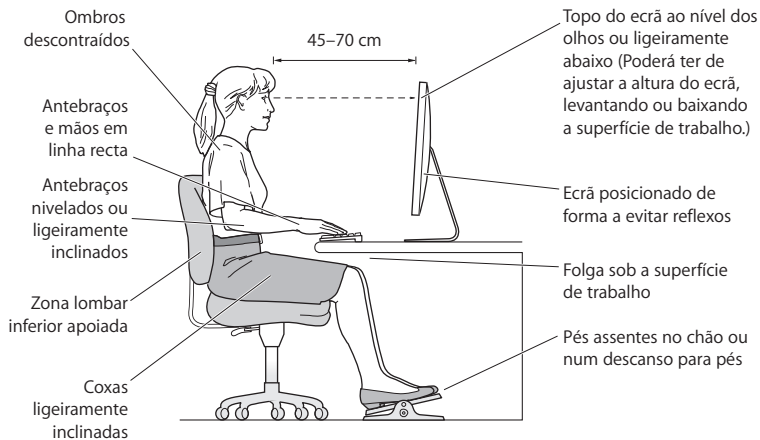
**AVISO:** O monitor é um componente de alta tensão e não deve ser aberto seja por que motivo for, mesmo quando está desligado. Se o monitor precisar de assistência, consulte “Mais informações, assistência e suporte” na página 116.

## Ergonomia

Estas são algumas directrizes para ajustar o monitor de forma a reduzir o brilho intenso e adaptá-lo ao seu tamanho e forma.

- Disponha o monitor de forma a que o topo do ecrã esteja ligeiramente abaixo do nível dos olhos quando estiver sentado a trabalhar no teclado. A melhor distância entre os olhos e o ecrã deve ser decidida por si, embora a maioria das pessoas prefira uma distância de 45 a 70 cm.

- Posicione o monitor, inclinándolo para cima ou para baixo para minimizar o brilho intenso e os reflexos de luzes suspensas e de janelas próximas.



Para obter mais informações acerca de saúde, segurança e manutenção, visite o website da Apple sobre ergonomia em [www.apple.com/pt/about/ergonomics](http://www.apple.com/pt/about/ergonomics).

## Resolução de problemas do monitor

Antes de realizar qualquer dos seguintes passos, certifique-se de que o computador está ligado, que o monitor está ligado a uma tomada, que os cabos estão ligados correctamente ao computador e ao monitor, e que o computador não se encontra em modo de suspensão.

### Se o ecrã não tiver imagem:

- Verifique novamente os cabos e conectores para garantir que estão bem ligados ao computador e ao monitor.
- Certifique-se de que o computador está ligado e não se encontra em modo de suspensão. Se o ecrã do computador estiver fechado, utilize o teclado externo ou rato para despertar o computador do modo de suspensão.
- Reinicialize a PRAM, reiniciando o computador, enquanto mantém premidas as teclas Comando (⌘), Opção, P e R até ouvir o som de arranque pela segunda vez.

### Se o ecrã estiver pouco perceptível:

- Certifique-se de que os controlos de brilho do monitor estão bem definidos. Seleccione Apple () > Preferências do Sistema, e depois clique em Ecrãs. Desloque o nível em Brilho para ajustar o brilho.
- Se as cores no monitor estiverem demasiado saturadas ou incorrectas, poderá ser necessário calibrar o monitor. Abra o painel de preferências Ecrãs, clique em Cor, clique em Calibrar, e siga as instruções.

### Se o seu computador portátil não carregar:

Certifique-se de que o conector MagSafe do monitor está colocado correctamente na porta de alimentação MagSafe no computador.

Se a câmara iSight integrada, o microfone, os altifalantes ou as portas USB do monitor não estiverem a funcionar:

Certifique-se de que o cabo USB do monitor está completamente ligado à porta USB no computador. A câmara, o microfone, os altifalantes e as portas USB do monitor só funcionam quando este cabo está ligado ao computador.

### Mais informações para resolução de problemas

Podemos aceder a mais informações para resolução de problemas no website de suporte de ecrãs em: [www.apple.com/pt/support/displays](http://www.apple.com/pt/support/displays).

### Mais informações, assistência e suporte

Podemos encontrar mais informações acerca do seu monitor no website da Apple e na Ajuda Mac.

#### Para obter informações sobre Proceda da seguinte forma

Utilização do monitor	Selecione Ajuda > Ajuda Mac, na barra de menus, e pesquise “ecrãs”.
-----------------------	---

Assistência a ecrãs, suporte, grupos de discussão, resolução de problemas e descarga de software	Visite: <a href="http://www.apple.com/pt/support/displays">www.apple.com/pt/support/displays</a> .
--	--

As informações mais recentes sobre ecrãs	Visite: <a href="http://www.apple.com/pt/displays">www.apple.com/pt/displays</a> .
--	--

Registo do monitor	Visite: <a href="http://www.apple.com/pt/register">www.apple.com/pt/register</a> .
--------------------	--

## Especificações

- *Número do modelo:* A1267
- *Resolução:* 1920 x 1200 @ 60 Hz
- *Portas:* Três portas USB 2.0 na parte de trás
- *Câmara e microfone:* Câmara iSight integrada com microfone
- *Altifalantes:* Altifalantes 2.1 incorporados com saída de 12 W

### **Dimensões:**

- *Peso:* 9,49 kg
- *Altura:* 478,38 mm
- *Largura:* 573,22 mm
- *Profundidade (com suporte):* 197,10 mm
- *Visualizável:* 609,60 mm (diagonal)

### **Ambiente de funcionamento:**

- *Temperatura de funcionamento:* 10° a 35° C
- *Humidade relativa:* 20% a 80% (sem condensação)
- *Altitude:* 0 a 10.000 pés (0 a 3.048 metros)



## Regulatory Compliance Information

### FCC Compliance Statement

This equipment has been tested and found to comply with the limits for a Class B digital device, pursuant to part 15 of the FCC Rules. These limits are designed to provide reasonable protection against harmful interference in a residential installation.

This equipment generates, uses, and can radiate radio frequency energy and, if not installed and used in accordance with the instructions, may cause harmful interference to radio communications. However, there is no guarantee that interference will not occur in a particular installation. If this equipment does cause harmful interference to radio or television reception, which can be determined by turning the equipment off and on, the user is encouraged to try to correct the interference by one or more of the following measures:

- Reorient or relocate the receiving antenna.
- Increase the separation between the equipment and receiver.
- Connect the equipment into an outlet on a circuit different from that to which the receiver is connected.
- Consult the dealer or an experienced radio/TV technician for help.

If necessary, consult an Apple Authorized Service Provider or Apple. See the service and support information that came with your Apple product. Or, consult an experienced radio/television technician for additional suggestions.

**Important:** Changes or modifications to this product not authorized by Apple Inc. could void the EMC compliance and negate your authority to operate the product.

This product has demonstrated EMC compliance under conditions that included the use of compliant peripheral devices and shielded cables between system components. It is important that you use compliant peripheral devices and shielded cables between system components to reduce the possibility of causing interference to radios, television sets, and other electronic devices.

*Responsible party (contact for FCC matters only):*

Apple Inc. Corporate Compliance  
1 Infinite Loop, MS 26-A  
Cupertino, CA 95014 USA

### Industry Canada Statement

Complies with the Canadian ICES-003 Class B specifications. Cet appareil numérique de la classe B est conforme à la norme NMB-003 du Canada.

### VCCI Class B Statement

情報処理装置等電波障害自主規制について

この装置は、情報処理装置等電波障害自主規制協議会 (VCCI) の基準に基づくクラス B 情報技術装置です。この装置は家庭環境で使用されることを目的としていますが、この装置がラジオやテレビジョン受信機に近接して使用されると、受信障害を引き起こすことがあります。

取扱説明書に従って正しい取扱をしてください。

## Korea Class B Statement

### B급 기기(가정용 방송통신기기)

이 기기는 가정용(B급)으로 전자파적합등록을 한 기기로서 주로 가정에서 사용하는 것을 목적으로 하며, 모든 지역에서 사용할 수 있습니다.

## Europe—EU Declaration of Conformity

See [www.apple.com/euro/compliance](http://www.apple.com/euro/compliance).

## High-Risk Activities Warning

This display is not intended for use in the operation of nuclear facilities, aircraft navigation or communications systems, or air traffic control machines, or for any other uses where the failure of the computer system could lead to death, personal injury or severe environmental damage.

## Apple and the Environment

Apple Inc. recognizes its responsibility to minimize the environmental impacts of its operations and products. More information is available on the web: [www.apple.com/environment](http://www.apple.com/environment)

## 中国

有毒或 有害物质	零部件		
	电路板	显示屏	附件
铅 (Pb)	X	X	X
汞 (Hg)	O	O	O
镉 (Cd)	O	O	O
六价铬 (Cr, VI)	O	O	O
多溴联苯 (PBB)	O	O	O
多溴二苯醚 (PBDE)	O	O	O

O: 表示该有毒有害物质在该部件所有均质材料中的含量均在 SJ/T 11363-2006 规定的限量要求以下。

X: 表示该有毒有害物质至少在该部件的某一均质材料中的含量超出 SJ/T 11363-2006 规定的限量要求。

根据中国电子行业标准 SJ/T11364-2006 和相关的中国政府法规，本产品及其某些内部或外部组件上可能带有环保使用期限标识。取决于组件和组件制造商，产品及其组件上的使用期限标识可能有所不同。组件上的使用期限标识优先于产品上任何与之相冲突的或不同的环保使用期限标识。



## ENERGY STAR® Compliance



As an ENERGY STAR® partner, Apple has determined that standard configurations of this product meet the ENERGY STAR® guidelines for energy efficiency. The ENERGY STAR® program is a partnership with electronic equipment manufacturers to promote energy-efficient products. Reducing energy consumption of products saves money and helps conserve valuable resources. For more information about ENERGY STAR®, visit: [www.energystar.gov](http://www.energystar.gov)

## Disposal and Recycling Information



This symbol indicates that your product must be disposed of properly according to local laws and regulations. When your product reaches its end of life, contact Apple or your local authorities to learn about recycling options.

For information about Apple's recycling program, go to [www.apple.com/environment/recycling](http://www.apple.com/environment/recycling).

## European Union—Disposal Information



The symbol above means that according to local laws and regulations your product should be disposed of separately from household waste. When this product reaches its end of life, take it to a collection point designated by local authorities. Some collection points accept products for free. The separate collection and recycling of your product at the time of disposal will help conserve natural resources and ensure that it is recycled in a manner that protects human health and the environment.

### **Union Européenne: informations sur l'élimination**

Le symbole ci-dessus signifie que vous devez vous débarrasser de votre produit sans le mélanger avec les ordures ménagères, selon les normes et la législation de votre pays. Lorsque ce produit n'est plus utilisable, portez-le dans un centre de traitement des déchets agréé par les autorités locales. Certains centres acceptent les produits gratuitement. Le traitement et le recyclage séparé de votre produit lors de son élimination aideront à préserver les ressources naturelles et à protéger l'environnement et la santé des êtres humains.

## Europäische Union – Informationen zur Entsorgung



Das Symbol oben bedeutet, dass dieses Produkt entsprechend den geltenden gesetzlichen Vorschriften und getrennt vom Hausmüll entsorgt werden muss. Geben Sie dieses Produkt zur Entsorgung bei einer offiziellen Sammelstelle ab. Bei einigen Sammelstellen können Produkte zur Entsorgung unentgeltlich abgegeben werden. Durch das separate Sammeln und Recycling werden die natürlichen Ressourcen geschont und es ist sichergestellt, dass beim Recycling des Produkts alle Bestimmungen zum Schutz von Gesundheit und Umwelt beachtet werden.

### **Unione Europea: informazioni per lo smaltimento**

Il simbolo qui sopra significa che, in base alle leggi e alle norme locali, il prodotto dovrebbe essere smaltito separatamente dai rifiuti casalinghi. Quando il prodotto diventa inutilizzabile, portalo nel punto di raccolta stabilito dalle autorità locali. Alcuni punti di raccolta accettano i prodotti gratuitamente. La raccolta separata e il riciclaggio del prodotto al momento dello smaltimento aiutano a conservare le risorse naturali e assicurano che venga riciclato nel rispetto della salute umana e dell'ambiente.

### **Europeiska unionen – uttjänta produkter**

Symbolen ovan betyder att produkten enligt lokala lagar och bestämmelser inte får kastas tillsammans med hushållsavfallet. När produkten har tjänat ut måste den tas till en återvinningsstation som utsetts av lokala myndigheter. Vissa återvinningsstationer tar kostnadsfritt hand om uttjänta produkter. Genom att låta den uttjänta produkten tas om hand för återvinning hjälper du till att spara naturresurser och skydda hälsa och miljö.