

## **AXIS Q60-E Series**

**AXIS Q6052-E PTZ Dome Network Camera**

**AXIS Q6054-E PTZ Dome Network Camera**

**AXIS Q6055-E PTZ Dome Network Camera**

## **Installation Guide**

## Legal Considerations

Video surveillance can be regulated by laws that vary from country to country. Check the laws in your local region before using this product for surveillance purposes.

This product includes one (1) H.264 decoder license. To purchase further licenses, contact your reseller.

## Liability

Every care has been taken in the preparation of this document. Please inform your local Axis office of any inaccuracies or omissions. Axis Communications AB cannot be held responsible for any technical or typographical errors and reserves the right to make changes to the product and manuals without prior notice. Axis Communications AB makes no warranty of any kind with regard to the material contained within this document, including, but not limited to, the implied warranties of merchantability and fitness for a particular purpose. Axis Communications AB shall not be liable nor responsible for incidental or consequential damages in connection with the furnishing, performance or use of this material. This product is only to be used for its intended purpose.

## Intellectual Property Rights

Axis AB has intellectual property rights relating to technology embodied in the product described in this document. In particular, and without limitation, these intellectual property rights may include one or more of the patents listed at [www.axis.com/patent.htm](http://www.axis.com/patent.htm) and one or more additional patents or pending patent applications in the US and other countries.

This product contains licensed third-party software. See the menu item "About" in the product's user interface for more information.

This product contains source code copyright Apple Computer, Inc., under the terms of Apple Public Source License 2.0 (see [www.opensource.apple.com/aps/](http://www.opensource.apple.com/aps/)). The source code is available from <https://developer.apple.com/bonjour/>

## Equipment Modifications

This equipment must be installed and used in strict accordance with the instructions given in the user documentation. This equipment contains no user-serviceable components. Unauthorized equipment changes or modifications will invalidate all applicable regulatory certifications and approvals.

## Trademark Acknowledgments

AXIS COMMUNICATIONS, AXIS, ETRAX, ARTPEC and VAPIX are registered trademarks or trademark applications of Axis AB in various jurisdictions. All other company names and products are trademarks or registered trademarks of their respective companies.

Apple, Boa, Apache, Bonjour, Ethernet, Internet Explorer, Linux, Microsoft, Mozilla, Real, SMPTE, QuickTime, UNIX, Windows, Windows Vista and WWW are registered trademarks of the respective holders. Java and all Java-based trademarks and logos are trademarks or registered trademarks of Oracle and/or its affiliates. UPnP<sup>TM</sup> is a certification mark of the UPnP<sup>TM</sup> Implementers Corporation.

SD, SDHC and SDXC are trademarks or registered trademarks of SD-3C, LLC in the United States, other countries or both. Also, miniSD, microSD, miniSDHC, microSDHC, microSDXC are all trademarks or registered trademarks of SD-3C, LLC in the United States, other countries or both.

## Regulatory Information

### Europe

**CE** This product complies with the applicable CE marking directives and harmonized standards:

- Electromagnetic Compatibility (EMC) Directive 2014/30/EU. See *Electromagnetic Compatibility (EMC) 2*.
- Low Voltage (LVD) Directive 2014/35/EU. See *Safety 3*.
- Restrictions of Hazardous Substances (RoHS) Directive 2011/65/EU. See *Disposal and Recycling 3*.

A copy of the original declaration of conformity may be obtained from Axis Communications AB. See *Contact Information 3*.

### Electromagnetic Compatibility (EMC)

This equipment has been designed and tested to fulfill applicable standards for:

- Radio frequency emission when installed according to the instructions and used in its intended environment.
- Immunity to electrical and electromagnetic phenomena when installed according to the instructions and used in its intended environment.

### USA

This equipment has been tested using a shielded network cable (STP) and found to comply with the limits for a Class A digital device, pursuant to part 15 of the FCC Rules. These limits are designed to provide reasonable protection against harmful interference when the equipment is operated in a commercial environment. This equipment generates, uses, and can radiate radio frequency energy and, if not installed and used in accordance with the instruction manual, may cause harmful interference to radio communications. Operation of this equipment in a residential area is likely to cause harmful interference in which case the user will be required to correct the interference at his own expense. The product shall be connected using a shielded network cable (STP) that is properly grounded.

### Canada

This digital apparatus complies with CAN ICES-3 (Class A). The product shall be connected using a shielded network cable (STP) that is properly grounded. Cet appareil numérique est conforme à la norme NMB ICES-3 (classe A). Le produit doit être connecté à l'aide d'un câble réseau blindé (STP) qui est correctement mis à la terre.

### Europe

This digital equipment fulfills the requirements for RF emission according to the Class A limit of EN 55032. The product shall be connected using a shielded network cable (STP) that is properly grounded. Notice! This is a Class A product. In a domestic environment this product may cause RF interference, in which case the user may be required to take adequate measures.

This product fulfills the requirements for emission and immunity according to EN 50121-4 and IEC 62236-4 railway applications.

This product fulfills the requirements for immunity according to EN 61000-6-1 residential, commercial and light-industrial environments.

This product fulfills the requirements for immunity according to EN 61000-6-2 industrial environments.

This product fulfills the requirements for immunity according to EN 55024 office and commercial environments.

### Australia/New Zealand

This digital equipment fulfills the requirements for RF emission according to the Class A limit of AS/NZS CISPR 32. The product shall be connected using a shielded network cable (STP) that is properly grounded. Notice! This is a Class A product. In a domestic environment this product may cause RF interference, in which case the user may be required to take adequate measures.

#### Japan

この装置は、クラスA 情報技術装置です。この装置を家庭環境で使用すると電波妨害を引き起こすことがあります。この場合には使用者が適切な対策を講ずるよう要求されることがあります。本製品は、シールドドネットワークケーブル(STP)を使用して接続してください。また適切に接地してください。

#### Korea

이 기기는 업무용(A급) 전자파적합기기로서 판매자 또는 사용자는 이 점을 주의하시기 바라며, 가정외의 지역에서 사용하는 것을 목적으로 합니다. 적절히 접지된 STP (shielded twisted pair) 케이블을 사용하여 제품을 연결 하십시오.

#### Safety

This product complies with IEC/EN/UL 60950-1 and IEC/EN/UL 60950-22, Safety of Information Technology Equipment. The product shall be grounded either through a shielded network cable (STP) or other appropriate method.

The power supply used with this product shall fulfill the requirements for Safety Extra Low Voltage (SELV) and Limited Power Source (LPS) according to IEC/EN/UL 62368-1 or IEC/EN/UL 60950-1.

#### Disposal and Recycling

When this product has reached the end of its useful life, dispose of it according to local laws and regulations. For information about your nearest designated collection point, contact your local authority responsible for waste disposal. In accordance with local legislation, penalties may be applicable for incorrect disposal of this waste.

#### Europe



■ This symbol means that the product shall not be disposed of together with household or commercial waste. Directive 2012/19/EU on waste electrical and electronic equipment (WEEE) is applicable in the European Union member states. To prevent potential harm to human health and the environment, the product must be disposed of in an approved and environmentally safe recycling process. For information about your nearest designated collection point, contact your local authority responsible for waste disposal. Businesses should contact the product supplier for information about how to dispose of this product correctly.

This product complies with the requirements of Directive 2011/65/EU on the restriction of the use of certain hazardous substances in electrical and electronic equipment (RoHS).

#### China



This product complies with the requirements of the legislative act Administration on the Control of Pollution Caused by Electronic Information Products (ACPEIP).

#### Contact Information

Axis Communications AB  
Emdalavägen 14  
223 69 Lund  
Sweden

Tel: +46 46 272 18 00

Fax: +46 46 13 61 30

[www.axis.com](http://www.axis.com)

#### Support

Should you require any technical assistance, please contact your Axis reseller. If your questions cannot be answered immediately, your reseller will forward your queries through the appropriate channels to ensure a rapid response. If you are connected to the Internet, you can:

- download user documentation and software updates
- find answers to resolved problems in the FAQ database. Search by product, category, or phrase
- report problems to Axis support staff by logging in to your private support area
- chat with Axis support staff
- visit Axis Support at [www.axis.com/techsup/](http://www.axis.com/techsup/)

#### Learn More!

Visit Axis learning center [www.axis.com/academy/](http://www.axis.com/academy/) for useful trainings, webinars, tutorials and guides.



## Safety Information

Read through this Installation Guide carefully before installing the product. Keep the Installation Guide for future reference.

### Hazard Levels

#### **▲DANGER**

Indicates a hazardous situation which, if not avoided, will result in death or serious injury.

#### **▲WARNING**

Indicates a hazardous situation which, if not avoided, could result in death or serious injury.

#### **▲CAUTION**

Indicates a hazardous situation which, if not avoided, could result in minor or moderate injury.

#### **NOTICE**

Indicates a situation which, if not avoided, could result in damage to property.

### Other Message Levels

#### Important

Indicates significant information which is essential for the product to function correctly.

#### Note

Indicates useful information which helps in getting the most out of the product.

## Safety Instructions

#### **▲WARNING**

- The Axis product shall be installed by a trained professional.

#### **NOTICE**

- The Axis product shall be used in compliance with local laws and regulations.
- Store the Axis product in a dry and ventilated environment.
- Avoid exposing the Axis product to shocks or heavy pressure.
- Do not install the product on unstable brackets, surfaces or walls.
- Use only applicable tools when installing the Axis product. Using excessive force with power tools could cause damage to the product.
- Do not use chemicals, caustic agents, or aerosol cleaners.
- Use a clean cloth dampened with pure water for cleaning.
- Use only accessories that comply with the technical specification of the product. These can be provided by Axis or a third party.
- Use only spare parts provided by or recommended by Axis.

# AXIS Q60-E Series

---

- Do not attempt to repair the product yourself. Contact Axis support or your Axis reseller for service matters.
- Do not point the camera lens toward the sun or other high-intensity radiation sources because this could cause damage to the camera.
- The power supply shall be plugged in to a socket outlet installed near the product and shall be easily accessible.
- Use a limited power source (LPS) with either a rated output power limited to  $\leq 100$  W or a rated output current limited to  $\leq 5$  A.

## Transportation

### **NOTICE**

- When transporting the Axis product, use the original packaging or equivalent to prevent damage to the product.

## Battery

The Axis product uses a 3.0 V CR2032 lithium battery as the power supply for its internal real-time clock (RTC). Under normal conditions this battery will last for a minimum of five years.

Low battery power affects the operation of the RTC, causing it to reset at every power-up. When the battery needs replacing, a log message will appear in the product's server report. For more information about the server report, see the product's setup pages or contact Axis support.

The battery should not be replaced unless required, but if the battery does need replacing, contact Axis support at [www.axis.com/techsup](http://www.axis.com/techsup) for assistance.

Lithium coin cell 3.0 V batteries contain 1,2-dimethoxyethane; ethylene glycol dimethyl ether (EGDME), CAS no. 110-71-4.

### **▲WARNING**

- Risk of explosion if the battery is incorrectly replaced.
- Replace only with an identical battery or a battery which is recommended by Axis.
- Dispose of used batteries according to local regulations or the battery manufacturer's instructions.

## Dome Cover

### **NOTICE**

- Be careful not to scratch, damage or leave fingerprints on the dome cover because this could decrease image quality. If possible, keep the protective plastic on the dome cover until the installation is complete.
- Do not clean a dome cover that looks clean to the eye and never polish the surface. Excessive cleaning could damage the surface.

- For general cleaning of the dome cover it is recommended to use a non-abrasive, solvent-free neutral soap or detergent mixed with pure water and a soft, clean cloth. Rinse well with pure lukewarm water. Dry with a soft, clean cloth to prevent water spotting.
- Never use harsh detergents, gasoline, benzene or acetone etc. and avoid cleaning the dome cover in direct sunlight or at elevated temperatures.
- Make sure the dome is attached in operation mode, otherwise focus may be affected.





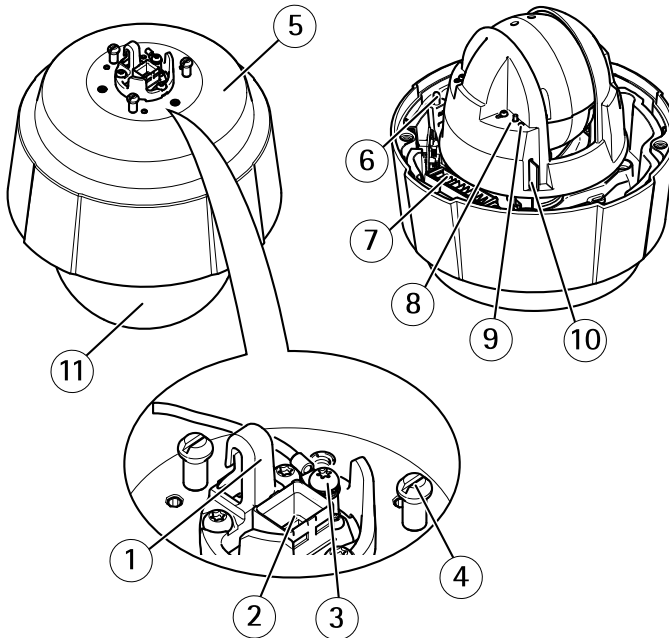
## Package Contents

- AXIS Q6052-E/Q6054-E/Q60555-E PTZ Dome Network Camera
- Clear dome cover (premounted)
- Sunshield, including screws T20 (3x)
- RJ45 Push-pull Connector (IP66)
- Axis High PoE midspan 1-port (LPS)
- Printed materials
  - Installation Guide (this document)
  - Extra serial number label (2x)
  - AVHS Authentication key

## Hardware Overview

**NOTICE**

Make sure the dome is attached in operation mode, otherwise focus may be affected.



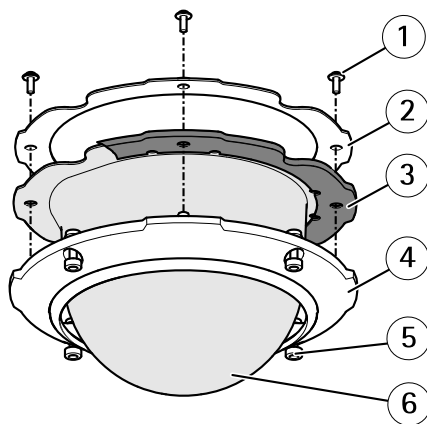
- 1 Hook for safety wire
- 2 Network connector (High PoE)

## AXIS Q60-E Series

---

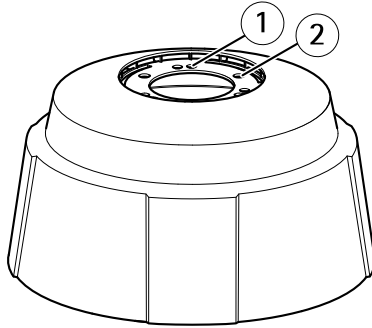
- 3 Ground screw
- 4 Unit holder (3x)
- 5 Part number (P/N) & Serial number (S/N)
- 6 Power button
- 7 Heater
- 8 Control button
- 9 Status LED indicator
- 10 SD card slot
- 11 Dome

### Dome Cover



- 1 Dome bracket screw PH2 (4x)
- 2 Dome bracket
- 3 Rubber gasket
- 4 Dome ring
- 5 Dome ring screw T30 (4x)
- 6 Dome cover

Sunshield



- 1 *Screw holes*
- 2 *Holes for unit holders*

### How to install the product

Read all the instructions before installing the product. Some installation steps would benefit from being completed together because they require removal of the dome cover.

#### **NOTICE**

- The product shall be connected using a shielded network cable (STP). All cables connecting the product to the network shall be intended for their specific use. Make sure that the network devices are installed in accordance with the manufacturer's instructions. For information about regulatory requirements, see *Electromagnetic Compatibility (EMC) 2*.
- Mount the product with the dome cover facing downward.
- Be careful not to scratch, damage or leave fingerprints on the dome cover because this could decrease image quality. If possible, keep the protective plastic on the dome cover until the installation is complete.

### Recommended tools

- Torx® screwdriver T20
- Torx® screwdriver T30
- Screwdriver PH2 (to change the dome cover)
- Cable shoe pliers
- Diagonal pliers

### Attach the sunshield (optional)

The sunshield protects the camera against UV light and helps keep the temperature inside the camera down.

1. Slide the sunshield over the unit holders on the camera unit.
2. Secure the sunshield using the supplied screws (T20).

### Change the dome cover (optional)

The premounted clear dome cover can be replaced if you want to use a smoked dome cover or if the dome cover is scratched or damaged. Smoked dome covers and spare clear dome covers can be purchased from your Axis reseller.

For location of the components, see *Hardware Overview on page 9*.

1. Loosen the dome ring screws and remove the dome cover.
2. Remove the dome bracket screws, the dome bracket, and the dome cover from the dome ring.

3. Make sure the rubber gasket is fitted correctly on the dome cover.
4. Align the bulge on the dome cover with one of the logotypes on the dome ring.
5. Attach the dome bracket and the dome cover to the dome ring and tighten the screws (torque 1.2 Nm).
6. To install an SD card, see *Install an SD Card (optional)* on page 13.
7. To attach the dome cover to the top cover, align the bulge on the dome cover with the heater on the camera unit and tighten the screws (torque 1.5 Nm).

## Install an SD Card (optional)

Installing an SD card is optional. A standard or high capacity SD card (not included) can be used to store recordings locally in the product.

1. Loosen the dome ring screws and remove the dome cover.
2. Insert an SD card into the SD card slot.
3. To attach the dome cover to the top cover, align the bulge on the dome cover with the heater on the camera unit and tighten the screws (torque 1.5 Nm).

## Install the camera on a bracket mount

### **⚠WARNING**

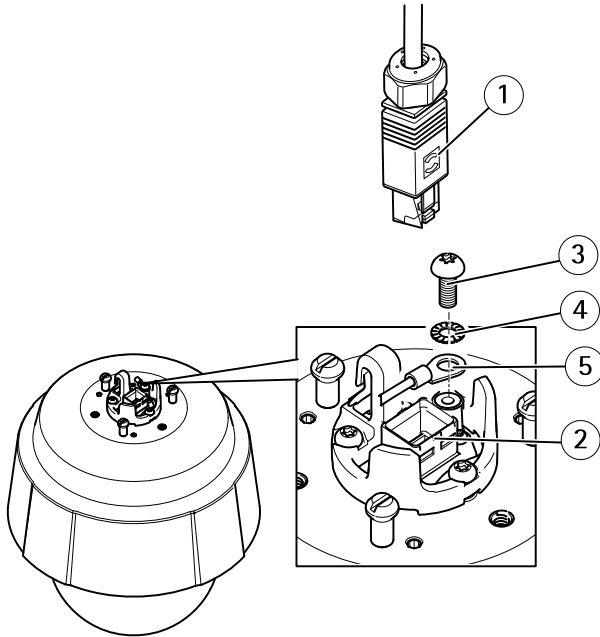
Risk of electric shock. The product shall be grounded using a grounding wire. Make sure both ends of the grounding wire are in contact with their respective grounding surfaces.

### **NOTICE**

To comply with the IP66-rated design of the camera and maintain the IP66 protection, the supplied RJ45 Push-pull Connector (IP66) shall be used. Alternatively, use the RJ45 IP66-rated cable with premounted connector which is available from your Axis reseller. Do not remove the plastic network connector shield from the camera.

This product can be mounted with the cables routed through or along the wall or roof.

1. Install the selected bracket according to the instructions supplied with the bracket. If drilling is required, make sure to use drill bits, screws and plugs that are appropriate for the material.
2. Secure the camera using the supplied safety wire.
3. Route the network cable and a grounding wire through the holes in the mounting bracket. Make sure the grounding wire is as short as possible to make the current path as short as possible.
4. Loosen the grounding screw and remove the washer and cable shoe.



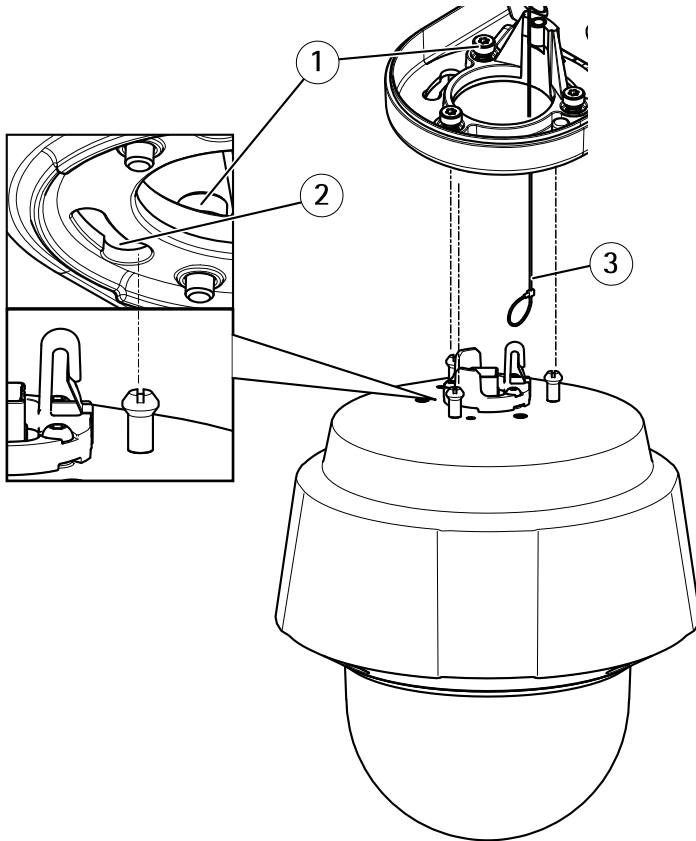
- 1 Network connector – RJ45 Push-pull Connector (IP66)
- 2 Network connector and network connector shield
- 3 Ground screw T20
- 4 Washer
- 5 Cable shoe

5. Attach the grounding wire (torque 1.5 to 2 Nm) to the cable shoe using cable shoe pliers.
6. Put the cable shoe and washer back in their original positions and tighten the screw (torque 0.5 Nm). Make sure the cable shoe is in contact with the grounding surface.

## **NOTICE**

Be careful not to damage the network cable when connecting it.

7. If the RJ45 Push-pull Connector (IP66) has not been connected to the network cable, see the instructions supplied with the connector. For information how to assemble an IP66-rated RJ45 connector, see *page 17*.
8. Connect the network cable.
9. Slide the unit holders on the network camera into the slots in the mounting bracket and rotate the camera unit.
10. Secure the network camera to the mounting bracket by tightening the screws.



- 1 Screw T30 (3x)
- 2 Slot for unit holder (3x)
- 3 Safety wire

11. Install the supplied midspan, see the Installation Guide delivered with the midspan or find it on [www.axis.com](http://www.axis.com)

## Access the Product

AXIS IP Utility and AXIS Camera Management are recommended methods for finding Axis products on the network and assigning them IP addresses in Windows®. Both applications are free and can be downloaded from [www.axis.com/techsup](http://www.axis.com/techsup)

The product can be used with most operating systems and browsers. We recommend the following browsers:

- Internet Explorer® with Windows®
- Safari® with OS X®
- Chrome™ or Firefox® with other operating systems.

For more information about using the product, see the User Manual available at [www.axis.com](http://www.axis.com)

## Reset to Factory Default Settings

### Important

Reset to factory default should be used with caution. A reset to factory default will reset all settings, including the IP address, to the factory default values.

### Note

The installation and management software tools are available from the support pages on [www.axis.com/techsup](http://www.axis.com/techsup)

To reset the product to the factory default settings:

1. Press and hold the control button and the power button for 15–30 seconds until the status LED indicator flashes amber. See *Hardware Overview on page 9*.
2. Release the control button but continue to hold down the power button until the status LED indicator turns green.
3. Release the power button and assemble the product.
4. The process is now complete. The product has been reset to the factory default settings. If no DHCP server is available on the network, the default IP address is 192.168.0.90
5. Using the installation and management software tools, assign an IP address, set the password and access the video stream.

It is also possible to reset parameters to factory default via the web interface. Go to **Setup > System Options > Maintenance** and click **Default**.



## Further information

- For the latest version of this document, see [www.axis.com](http://www.axis.com)
- The user manual is available at [www.axis.com](http://www.axis.com)
- To check if there is updated firmware available for your product, see [www.axis.com/support](http://www.axis.com/support)
- For useful online trainings and webinars, see [www.axis.com/academy](http://www.axis.com/academy)

Scan the QR code to view a video on how to assemble the supplied RJ45 Push-pull Connector (IP66).



## Optional Accessories

For a complete list of available accessories for this product, see [www.axis.com](http://www.axis.com)

## Warranty Information

For information about Axis' product warranty and thereto related information, see [www.axis.com/warranty/](http://www.axis.com/warranty/)

## Specifications

### LED Indicators

Status LED	Indication
Unlit	Connection and normal operation.
Green	Shows steady green for 10 seconds for normal operation after startup completed.
Amber	Steady during startup. Flashes during firmware upgrade.
Amber/Red	Flashes amber/red if network connection is unavailable or lost.
Red	Flashes red for firmware upgrade failure.

### Buttons

#### Control Button

For location of the control button, see *Hardware Overview on page 9*.

The control button is used for:

- Resetting the product to factory default settings. See *page 16*.
- Connecting to an AXIS Video Hosting System service or AXIS Internet Dynamic DNS Service. For more information about these services, see the User Manual.

#### Power Button

Press and hold the power button to temporarily power the product when the dome cover is removed. The power button is also used with the control button to reset the camera to factory default settings. See *page 16*.

### Connectors

#### Network Connector

RJ45 Push-pull Connector (IP66) with High Power over Ethernet (High PoE).

#### **NOTICE**

Use the supplied midspan.

**NOTICE**

The product shall be connected using a shielded network cable (STP). All cables connecting the product to the network shall be intended for their specific use. Make sure that the network devices are installed in accordance with the manufacturer's instructions. For information about regulatory requirements, see *Electromagnetic Compatibility (EMC) 2*.

**NOTICE**

To comply with the IP66-rated design of the camera and maintain the IP66 protection, the supplied RJ45 Push-pull Connector (IP66) shall be used. Alternatively, use the RJ45 IP66-rated cable with premounted connector which is available from your Axis reseller. Do not remove the plastic network connector shield from the camera.

**SD card slot**

**NOTICE**

- Risk of damage to SD card. Do not use sharp tools, metal objects or excessive force when inserting or removing the SD card. Use your fingers to insert and remove the card.
- Risk of data loss and corrupted recordings. Do not remove the SD card while the product is running. Disconnect power or unmount the SD card from the Axis product's webpages before removal.

This product supports SD/SDHC/SDXC cards (not included).

For SD card recommendations, see [www.axis.com](http://www.axis.com)

**Operating Conditions**

The Axis product is intended for outdoor use.

Product	Classification	Temperature	Humidity
AXIS Q6052-E	IEC 60721-4-3 Class 3K3, 3M3 IEC 60529 IP66	-50 °C to 50 °C (-58 °F to 122 °F)* Maximum temperature (intermittent): 60 °C (140 °F)	10-100% RH (condensing)
AXIS Q6054-E			
AXIS Q6055-E			

\* Arctic Temperature Control enables camera start-up at temperatures as low as -40 °C (-40 °F)

## Storage Conditions

Temperature
-50 °C to 60 °C (-58 °F to 140 °F)

## Power Consumption

**NOTICE**

Use a Safety Extra Low Voltage (SELV) compliant limited power source (LPS) with either a rated output power limited to  $\leq 100$  W or a rated output current limited to  $\leq 5$  A. Axis recommends using the supplied midspan.

Product	Axis High PoE midspan 1-port (included)	Axis PoE+ midspan 1-port
AXIS Q6052-E	100–240 V AC, max 74 W	IEEE 802.3at, Type 2 Class 4 100–240 V AC, max 37 W
AXIS Q6054-E		
AXIS Q6055-E		

## Informations sur la sécurité

Lisez attentivement ce guide d'installation avant d'installer l'appareil. Conservez le guide d'installation pour toute référence ultérieure.

### Niveaux de risques

#### **▲DANGER**

Indique une situation dangereuse qui, si elle n'est pas évitée, entraînera le décès ou des blessures graves.

#### **▲AVERTISSEMENT**

Indique une situation dangereuse qui, si elle n'est pas évitée, pourrait entraîner le décès ou des blessures graves.

#### **▲ATTENTION**

Indique une situation dangereuse qui, si elle n'est pas évitée, pourrait entraîner des blessures légères ou modérées.

#### **AVIS**

Indique une situation qui, si elle n'est pas évitée, pourrait endommager l'appareil.

### Autres niveaux de message

#### Important

Indique les informations importantes, nécessaires pour assurer le bon fonctionnement de l'appareil.

#### Note

Indique les informations utiles qui permettront d'obtenir le fonctionnement optimal de l'appareil.

## Consignes de sécurité

#### **▲AVERTISSEMENT**

- Le produit Axis doit être installé par un professionnel habilité.

#### **AVIS**

- Le produit Axis doit être utilisé conformément aux lois et réglementations locales en vigueur.
- Conserver ce produit Axis dans un environnement sec et ventilé.
- Ne pas exposer ce produit Axis aux chocs ou aux fortes pressions.
- Ne pas installer ce produit sur des supports, surfaces ou murs instables.
- Utiliser uniquement des outils recommandés pour l'installation de l'appareil Axis. L'application d'une force excessive sur l'appareil avec des outils puissants pourrait l'endommager.

- Ne pas utiliser de produits chimiques, de substances caustiques ou de nettoyeurs pressurisés.
- Utiliser un chiffon propre imbibé d'eau pure pour le nettoyage.
- Utiliser uniquement des accessoires conformes aux caractéristiques techniques du produit. Ils peuvent être fournis par Axis ou un tiers.
- Utiliser uniquement les pièces de rechange fournies ou recommandées par Axis.
- Ne pas essayer de réparer vous-même ce produit. Contacter l'assistance technique d'Axis ou votre revendeur Axis pour des problèmes liés à l'entretien.
- Évitez de pointer l'objectif de la caméra vers le soleil ou toute autre source de radiation de haute intensité. Cela risque d'endommager la caméra.
- L'alimentation électrique doit être branchée à une prise de courant installée près de l'équipement et être facilement accessible.
- Utilisez une source d'alimentation limitée (LPS) dont la puissance de sortie nominale est limitée à  $\leq 100$  W ou dont le courant de sortie nominal est limité à  $\leq 5$  A.

### Transport

#### AVIS

- Lors du transport du produit Axis, utilisez l'emballage d'origine ou un équivalent pour éviter d'endommager le produit.

### Batterie

Le produit Axis utilise une batterie au lithium CR2032 3,0 V comme alimentation de son horloge en temps réel interne (RTC). Dans des conditions normales, cette batterie a une durée de vie minimale de cinq ans.

Si la batterie est faible, le fonctionnement de l'horloge en temps réel peut être affecté et entraîner sa réinitialisation à chaque mise sous tension. Un message enregistré apparaît dans le rapport de serveur du produit lorsque la batterie doit être remplacée. Pour tout complément d'information concernant le rapport de serveur, reportez-vous aux pages de Configuration du produit ou contactez l'assistance technique d'Axis.

La batterie doit être remplacée uniquement en cas de besoin, et pour ce faire, contactez l'assistance technique d'Axis à l'adresse [www.axis.com/techsup](http://www.axis.com/techsup) et obtenir de l'aide.

Les piles boutons 3,0 V au lithium contiennent du 1,2-diméthoxyéthane, éthylène glycol diméthyl éther (EGDME), CAS N° 110-71-4.

#### ⚠ AVERTISSEMENT

- Risque d'explosion si la batterie est remplacée de façon incorrecte.
- Remplacez-la uniquement par une batterie identique ou une batterie recommandée par Axis.

- Mettez au rebut les batteries usagées conformément aux réglementations locales ou aux instructions du fabricant de la batterie.

### Couvercle de dôme

#### **AVIS**

- Veillez à ne pas rayer, endommager ou laisser d'empreintes sur le couvercle du dôme car cela pourrait altérer la qualité d'image. Laissez, si possible, la protection en plastique sur le couvercle du dôme jusqu'à la fin de l'installation.
- Ne nettoyez pas le couvercle du dôme s'il semble propre à l'œil nu et ne frottez jamais sa surface. Un nettoyage excessif pourrait endommager la surface.
- Pour le nettoyage général du couvercle du dôme, il est recommandé d'utiliser un produit non abrasif, un savon neutre sans solvant ou un détergent mélangé avec de l'eau pure et un chiffon doux propre. Rincez bien à l'eau tiède pure. Séchez avec un chiffon doux et propre pour éviter les taches d'eau.
- N'utilisez jamais de détergents agressifs, d'essence, de benzène ou d'acétone, etc. et évitez toute exposition directe aux rayons du soleil ou à des températures élevées lors du nettoyage.
- Vérifiez que le dôme est fixé en mode de fonctionnement, sinon la mise au point peut en être affectée.





## Contenu de l'emballage

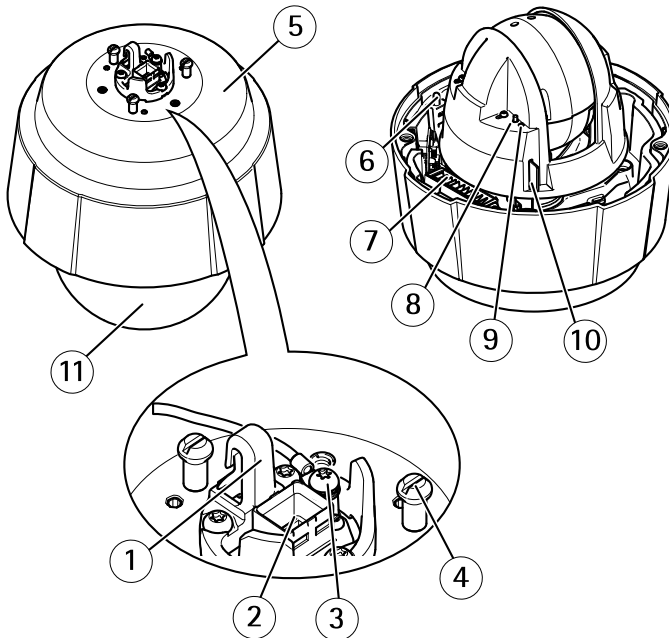
- Caméra dôme réseau AXIS Q6052-E/Q6054-E/Q60555-E PTZ
- Couverture de dôme non fumé (prémonté)
- Pare-soleil, fourni avec vis T20 (x3)
- Connecteur pousser-tirer RJ45 (conforme à la norme IP66)
- Injecteur de puissance High PoE Axis 1 port (LPS)
- Documents imprimés
  - Guide d'installation (ce document)
  - Étiquette supplémentaire de numéro de série (x2)
  - Clé d'authentification AVHS

FRANÇAIS

## Aperçu du matériel

**AVIS**

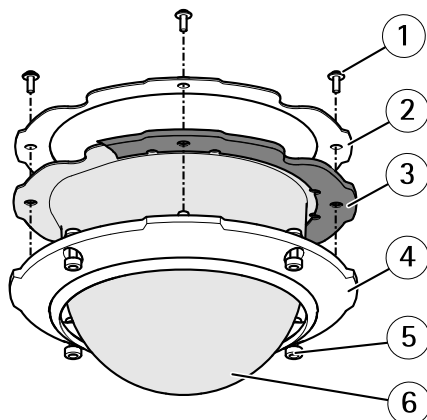
Vérifiez que le dôme est fixé en mode de fonctionnement, sinon la mise au point peut en être affectée.



1 Crochet pour câble de sécurité

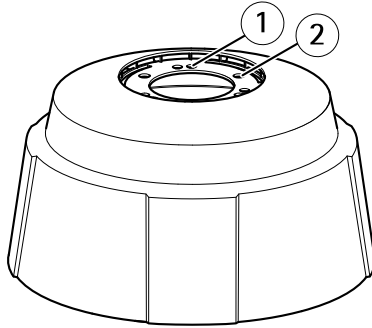
- 2 *Connecteur réseau (High PoE)*
- 3 *Vis de mise à la terre*
- 4 *Support de l'appareil (x3)*
- 5 *Référence (P/N) et numéro de série (S/N).*
- 6 *Bouton d'alimentation*
- 7 *Régulateur de chaleur*
- 8 *Bouton de commande*
- 9 *Voyant d'état*
- 10 *Emplacement pour carte SD*
- 11 *Dôme*

### Couvercle de dôme



- 1 *Vis du support pour caméra dôme PH2 (x4)*
- 2 *Support pour caméra dôme*
- 3 *Joint en caoutchouc*
- 4 *Garniture pour caméra dôme*
- 5 *Vis de la garniture pour caméra dôme T30 (x4)*
- 6 *Couvercle de dôme*

Pare-soleil



- 1 Trous de vis
- 2 Trous pour supports de caméra

### Comment installer le produit

Lisez toutes les instructions avant l'installation de l'appareil. Il serait préférable de réaliser certaines étapes en même temps parce qu'elles exigent le retrait du couvercle du dôme.

#### AVIS

- Le produit doit être connecté à l'aide d'un câble réseau blindé (STP). Tous les câbles reliant le produit au commutateur réseau doivent être destinés à leur usage spécifique. Assurez-vous que les périphériques réseau sont installés conformément aux instructions du fabricant. Pour plus d'informations sur les exigences réglementaires, consultez *Electromagnetic Compatibility (EMC) 2*.
- Fixez le produit en orientant le couvercle du dôme vers le bas.
- Veillez à ne pas rayer, endommager ou laisser d'empreintes sur le couvercle du dôme car cela pourrait altérer la qualité d'image. Laissez, si possible, la protection en plastique sur le couvercle du dôme jusqu'à la fin de l'installation.

### Outils recommandés

- Tournevis Torx® T20
- Tournevis Torx® T30
- Tournevis PH2 (pour remplacer le couvercle du dôme)
- Pince à sertir pour cosses de câble
- Pince coupante diagonale

### Fixation du pare-soleil (facultatif)

Le pare-soleil protège la caméra des rayons UV et permet de maintenir une température basse à l'intérieur du produit.

1. Glissez le pare-soleil sur les supports de la caméra.
2. Fixez le pare-soleil à l'aide des vis fournies (T20).

### Remplacement du couvercle de dôme (en option)

Le couvercle du dôme prémonté peut être remplacé si vous souhaitez utiliser un couvercle de dôme fumé ou si le couvercle du dôme est rayé ou endommagé. Les couvercles de dôme fumés et les couvercles de dôme non fumés de rechange peuvent être achetés auprès d'un revendeur Axis.

Pour connaître l'emplacement des composants, consultez *Aperçu du matériel* page 25.

1. Desserrez les vis de la garniture pour caméra dôme et retirez le couvercle du dôme.

2. Dévissez le support du dôme, puis retirez le support et le couvercle du dôme de la garniture.
3. Assurez-vous que le joint en caoutchouc est correctement fixé sur le couvercle du dôme.
4. Alignez le renflement du couvercle du dôme avec l'un des logotypes de la garniture.
5. Fixez le support et le couvercle du dôme à la garniture puis serrez les vis (couple 1,2 Nm).
6. Pour installer une carte SD, consultez *Installation d'une carte SD (facultatif)* page 29.
7. Pour fixer le couvercle du dôme sur le couvercle supérieur, alignez le renflement du couvercle du dôme avec le régulateur de chaleur de la caméra et serrez les vis (couple 1,5 Nm).

## Installation d'une carte SD (facultatif)

L'installation d'une carte SD est facultative. Une carte SD standard ou à haute capacité (non fournie) peut être utilisée pour sauvegarder des enregistrements dans l'appareil.

1. Desserrez les vis de la garniture pour caméra dôme et retirez le couvercle du dôme.
2. Insérez une carte SD dans l'emplacement pour carte SD.
3. Pour fixer le couvercle du dôme sur le couvercle supérieur, alignez le renflement du couvercle du dôme avec le régulateur de chaleur de la caméra et serrez les vis (couple 1,5 Nm).

## Installation de la caméra sur un support de fixation

### ⚠️ AVERTISSEMENT

Risque de choc électrique. Le produit doit être mis à la terre à l'aide d'un câble de mise à la terre. Assurez-vous que les deux extrémités du câble de mise à la terre sont en contact avec les surfaces de mise à la terre correspondantes.

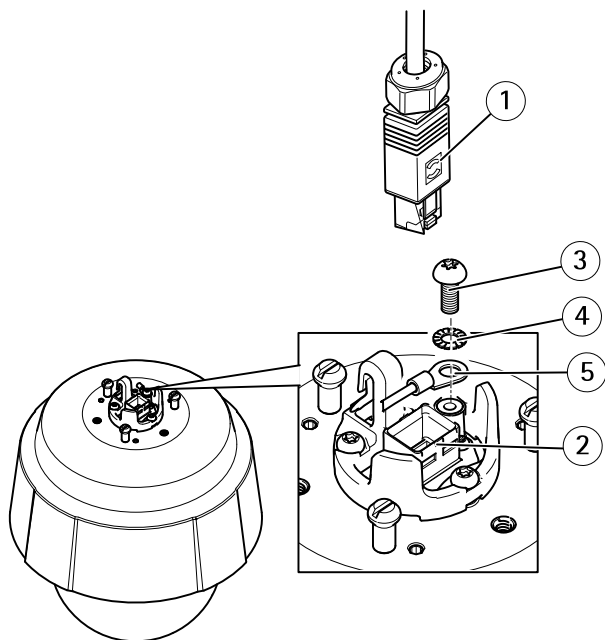
### AVIS

Pour être conforme à la norme IP66 de la caméra et maintenir la protection IP66, il est nécessaire d'utiliser le connecteur pousser-tirer RJ45 fourni (conforme à la norme IP66). Sinon, utilisez le câble RJ45 compatible norme IP66 avec connecteur préinstallé, disponible auprès d'un revendeur Axis. Ne retirez pas le blindage en plastique du connecteur réseau de la caméra.

Cette caméra peut être montée avec les câbles d'alimentation acheminés à travers ou le long du mur ou du toit.

1. Installez le support choisi conformément aux instructions fournies avec le support. S'il s'avère nécessaire de percer, vérifiez que les forets, vis et chevilles à utiliser sont appropriés pour le matériau.
2. Sécurisez la caméra à l'aide du câble de sécurité fourni.

3. Acheminez le câble réseau et un câble de mise à la terre à travers les orifices du support de montage. Veillez à ce que le câble de mise à la terre soit aussi court que possible afin que le trajet du courant soit le plus court possible.
4. Desserrez les vis de mise à la terre et retirez la rondelle et la cosse de câble.



- 1 *Connecteur réseau - Connecteur pousser-tirer RJ45 (conforme à la norme IP66)*
- 2 *Connecteur réseau et blindage du connecteur réseau*
- 3 *Vis de mise à la terre T20*
- 4 *Rondelle*
- 5 *Cosse de câble*

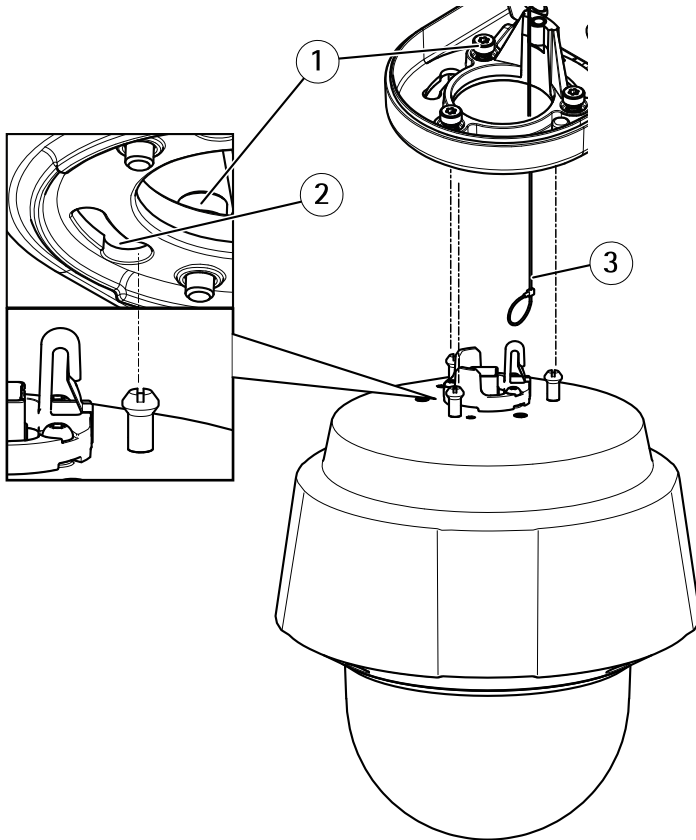
5. Fixez le câble de mise à la terre (couple de 1,5 à 2 Nm) à la cosse de câble à l'aide de pinces à sertir pour cosses de câble.
6. Remettez la cosse de câble et la rondelle en place et serrez la vis (couple 0,5 Nm). Assurez-vous que la cosse de câble est en contact avec la surface de mise à la terre.

**AVIS**

Veillez à ne pas endommager le câble réseau lorsque vous le connectez.

7. Si le connecteur pousser-tirer RJ45 fourni (conforme à la norme IP66) n'a pas été branché au câble réseau, reportez-vous aux instructions fournies. Pour plus d'informations sur l'assemblage d'un connecteur RJ45 conforme à la norme IP66, reportez-vous à *page 33*.

8. Branchez le câble réseau.
9. Glissez les supports de l'appareil sur la caméra réseau dans les fentes du support de montage et faites tourner la caméra.
10. Sécurisez la caméra réseau sur le support de montage en serrant les vis.



- 1 Vis T30 (x3)
- 2 Trou pour support de la caméra (x3)
- 3 Câble de sécurité

11. Installez l'injecteur fourni. Reportez-vous au Guide d'installation fourni avec l'injecteur ou téléchargez-le depuis [www.axis.com](http://www.axis.com)

### Utilisez le produit

Si vous souhaitez rechercher des produits Axis sur le réseau ou leur affecter des adresses IP sous Windows®, nous recommandons l'utilisation des applications AXIS IP Utility et AXIS Camera Management. Ces deux applications sont gratuites et peuvent être téléchargées depuis [www.axis.com/techsup](http://www.axis.com/techsup)

Le produit peut être utilisé avec la plupart des systèmes d'exploitation et des navigateurs. Nous recommandons les navigateurs suivants :

- Internet Explorer® avec Windows®,
- Safari® avec OS X®
- Chrome™ ou Firefox® avec les autres systèmes d'exploitation.

Pour plus d'informations concernant l'utilisation du produit, consultez le manuel de l'utilisateur disponible sur le site [www.axis.com](http://www.axis.com)

### Réinitialisation aux paramètres d'usine par défaut

#### Important

La réinitialisation aux paramètres par défaut doit être utilisée avec prudence. Cette opération reconfigure tous les paramètres, y compris l'adresse IP, aux valeurs d'usine par défaut.

#### Note

Les logiciels d'installation et de gestion sont disponibles sur les pages d'assistance du site [www.axis.com/techsup](http://www.axis.com/techsup)

Pour réinitialiser l'appareil aux paramètres d'usine par défaut :

1. Maintenez le bouton de commande et le bouton d'alimentation enfoncés pendant 15 à 30 secondes, jusqu'à ce que le voyant d'état passe à l'orange et clignote. Consultez *Aperçu du matériel page 25*.
2. Relâchez le bouton de commande mais continuez à maintenir le bouton d'alimentation jusqu'à ce que le voyant clignote en vert.
3. Relâchez le bouton d'alimentation et assemblez l'appareil.
4. Le processus est maintenant terminé. Les paramètres d'usine par défaut de l'appareil ont été rétablis. En l'absence d'un serveur DHCP sur le réseau, l'adresse IP par défaut est 192.168.0.90.
5. Utilisez les outils d'installation et de gestion pour attribuer une adresse IP, configurer le mot de passe et accéder au flux de données vidéo.

Il est également possible de rétablir les paramètres d'usine à partir de l'interface Web. Accédez à **Setup > System Options > Maintenance (Configuration > Options du système > Maintenance)** et cliquez sur **Default (Défaut)**.



## Informations complémentaires

- Pour la dernière version de ce document, consultez le site [www.axis.com](http://www.axis.com)
- Le Manuel de l'utilisateur est disponible à l'adresse suivante : [www.axis.com](http://www.axis.com)
- Pour vérifier si des mises à jour des logiciels sont disponibles pour votre appareil réseau, consultez le site [www.axis.com/techsup](http://www.axis.com/techsup).
- Pour en savoir plus sur les formations, les webinaires, les tutoriels et les guides, visitez le site [www.axis.com/academy](http://www.axis.com/academy).

Scannez le code QR pour visionner une vidéo sur l'assemblage du connecteur pousser-tirer RJ45 (conforme à la norme IP66).



## Accessoires en option

Pour obtenir la liste complète des accessoires disponibles pour ce produit, consultez [www.axis.com](http://www.axis.com)

## Informations sur la garantie

Pour obtenir de plus amples informations sur la garantie du produit AXIS et des renseignements connexes, allez sur le site [www.axis.com/warranty/](http://www.axis.com/warranty/)

## Caractéristiques techniques

### Voyants

Voyant d'état	Indication
Éteint	Branchement et fonctionnement normal.
Vert	Vert fixe pendant 10 secondes pour indiquer un fonctionnement normal après le démarrage.
Orange	Fixe pendant le démarrage. Clignote pendant la mise à niveau du microprogramme.
Orange / Rouge	Clignote en orange/rouge en cas d'indisponibilité ou de perte de la connexion réseau.
Rouge	Clignote en rouge en cas d'échec de la mise à niveau du microprogramme.

### Boutons

#### Bouton de commande

Pour connaître l'emplacement du bouton de commande, consultez *Aperçu du matériel* page 25.

Le bouton de commande permet de réaliser les opérations suivantes :

- Réinitialisation du produit aux paramètres d'usine par défaut. Cf. *page 32*.
- Connexion au service du Système d'hébergement vidéo AXIS ou au service AXIS Internet Dynamic DNS. Pour plus d'informations sur ces services, reportez-vous au Manuel de l'utilisateur.

#### Bouton d'alimentation

Appuyez sur le bouton d'alimentation et maintenez-le enfoncé pour alimenter temporairement le produit lors du retrait du couvercle de dôme. Le bouton d'alimentation est également utilisé avec le bouton de commande pour réinitialiser la caméra aux paramètres d'usine par défaut. Cf. *page 32*.

### Connecteurs

#### Connecteur réseau

Connecteur pousser-tirer RJ45 (conforme à la norme IP66) avec alimentation haute puissance par Ethernet (PoE haute puissance).

**AVIS**

Utilisez l'injecteur fourni.

**AVIS**

Le produit doit être connecté à l'aide d'un câble réseau blindé (STP). Tous les câbles reliant le produit au commutateur réseau doivent être destinés à leur usage spécifique. Assurez-vous que les périphériques réseau sont installés conformément aux instructions du fabricant. Pour plus d'informations sur les exigences réglementaires, consultez *Electromagnetic Compatibility (EMC) 2*.

**AVIS**

Pour être conforme à la norme IP66 de la caméra et maintenir la protection IP66, il est nécessaire d'utiliser le connecteur pousser-tirer RJ45 fourni (conforme à la norme IP66). Sinon, utilisez le câble RJ45 compatible norme IP66 avec connecteur préinstallé, disponible auprès d'un revendeur Axis. Ne retirez pas le blindage en plastique du connecteur réseau de la caméra.

**Emplacement pour carte SD**

**AVIS**

- La carte SD risque d'être endommagée. Ne pas utiliser d'outils tranchants ou d'objets métalliques et ne pas forcer lors de l'insertion ou du retrait de la carte SD. Utilisez vos doigts pour insérer et retirer la carte.
- Risque de perte de données et d'enregistrements corrompus. Ne retirez pas la carte SD tant que le produit est en fonctionnement. Débranchez ou déposez la carte SD des pages Web du produit AXIS avant de la retirer.

Cet appareil est compatible avec une carte SD/SDHC/SDXC (non incluse).

Pour obtenir des conseils sur la carte SD, rendez-vous sur [www.axis.com](http://www.axis.com)

**Conditions d'utilisation**

L'appareil Axis est uniquement destiné à une utilisation en extérieur.

Produit	Classification	+Température	Humidité
AXIS Q6052-E	IEC 60721-4-3 Classe 3K3, 3M3 IEC 60529 IP66	De -50°C à 50°C (-58°F à 122°F)* Température maximale (intermittente) : 60°C (140°F)	10 à 100 % humidité relative (sans condensation)
AXIS Q6054-E			
AXIS Q6055-E			

\* Le contrôle de température arctique permet de démarrer la caméra par -40°C (-40°F)

### Conditions de stockage

+Température
De -50°C à 60°C (-58°F à 140°F)

### Consommation électrique

**AVIS**

Utilisez une source d'alimentation limitée (LPS) conforme aux exigences de Très basse tension de sécurité (TBTS) dont la puissance de sortie nominale est limitée à  $\leq 100$  W ou dont le courant de sortie nominal est limité à  $\leq 5$  A. Axis recommande d'utiliser l'injecteur fourni.

Produit	Injecteur de puissance High PoE Axis 1 port (inclus)	Injecteur de puissance High PoE+ Axis 1 port
AXIS Q6052-E	100 à 240 V CA, max. 74 W	IEEE 802.3at, Type 2 Classe 4 100-240 V CA, max 37 W
AXIS Q6054-E		
AXIS Q6055-E		

## Sicherheitsinformation

Lesen Sie das Installationshandbuch sorgfältig durch bevor sie das Produkt installieren. Bewahren Sie das Installationshandbuch für zukünftige Zwecke auf.

### Gefährdungstufen

#### **▲GEFAHR**

Weist auf eine gefährliche Situation hin, welche , falls nicht verhindert, zu Tod oder schweren Verletzungen führt.

#### **▲WARNUNG**

Weist auf eine gefährliche Situation hin, welche, falls nicht verhindert, zu Tod oder schweren Verletzungen führen kann.

#### **▲VORSICHT**

Weist auf eine gefährliche Situation hin, welche, falls nicht verhindert, zu geringfügiger oder mäßiger Verletzung führen kann.

#### **HINWEIS**

Weist auf eine gefährliche Situation hin, welche, falls nicht verhindert, zu Sachschäden führen kann.

### Weitere Nachrichtenstufen

#### **Wichtig**

Weist auf wichtige Informationen hin, die den richtigen Betrieb des Produkts gewährleisten.

#### **Beachten**

Weist auf nützliche Informationen hin, die die optimale Verwendung des Produkts unterstützen.

## Sicherheitsanweisungen

#### **▲WARNUNG**

- Das Axis Produkt muss von fachmännischem Personal installiert werden.

#### **HINWEIS**

- Die Anwendung des Axis Produkts muss unter Beachtung der örtlich geltenden rechtlichen Bestimmungen erfolgen.
- Lagern Sie das Axis Produkt in einer trockenen und belüfteten Umgebung.
- Achten Sie darauf, dass das Axis Produkt weder Stößen noch starkem Druck ausgesetzt ist.
- Installieren Sie das Produkt nicht an instabilen Halterungen, Oberflächen oder Wänden.
- Verwenden Sie bei der Installation des Axis Produkts ausschließlich passende Werkzeuge. Ein zu großer Kraftaufwand mit elektrischen Werkzeugen kann das Produkt beschädigen.
- Verwenden Sie keine chemischen, ätzenden oder aerosolhaltigen Reinigungsmittel.

- Verwenden Sie zum Reinigen ein sauberes, mit destilliertem Wasser angefeuchtetes Tuch.
- Verwenden Sie nur Zubehör, das den technischen Daten des Produkts entspricht. Dieses ist von Axis oder Drittanbietern erhältlich.
- Verwenden Sie ausschließlich Ersatzteile die von Axis bereitgestellt oder empfohlen werden.
- Versuchen Sie nicht, das Produkt selbstständig zu reparieren. Wenden Sie sich bezüglich Reparatur und Wartung an den Axis Support oder Ihren Axis Händler.
- Richten Sie das Kameraobjektiv nicht direkt auf die Sonne oder andere starke Lichtquellen, um eine Beschädigung der Kamera zu vermeiden.
- Das Netzteil sollte an eine Steckdose in der Nähe des Produkts angeschlossen werden und sollte leicht zugänglich sein.
- Verwenden Sie eine Stromquelle mit begrenzter Leistung (LPS), entweder mit einer Nennausgangsleistung von  $\leq 100$  W oder einem begrenzten Nennausgangsstrom von  $\leq 5$  A.

### Transport

#### **HINWEIS**

- Bei Bedarf transportieren Sie das Axis Produkt in der Originalverpackung oder einer entsprechenden Verpackung, so dass Schäden vermieden werden.

### Batterie

Das Axis-Produkt ist mit einer 3,0 V-CR2032-Lithium-Batterie ausgestattet, mit der die interne Echtzeituhr (RTC) versorgt wird. Unter normalen Bedingungen hat die Batterie eine Lebensdauer von mindestens fünf Jahren.

Bei entladener Batterie ist der Betrieb der Echtzeituhr nicht mehr gewährleistet, sodass die Uhr bei jedem Systemstart zurückgesetzt wird. Sie erhalten eine Protokollnachricht im Serverbericht des Produkts, wenn ein Batteriewechsel erforderlich ist. Weitere Informationen über den Serverbericht finden Sie auf den Setup-Seiten des Produkts, oder wenden Sie sich an den Axis Support.

Die Batterie sollte nur bei Bedarf ersetzt werden. Wenden Sie sich in diesem Fall an den Axis Support unter [www.axis.com/techsup](http://www.axis.com/techsup).

Lithium-Knopfzellen (3,0 V) enthalten 1,2-Dimethoxyethan; Ethylenglycoldimethylether (EGDME), CAS-Nr. 110-71-4.

#### **⚠️ WARNUNG**

- Explosionsgefahr bei fehlerhaftem Batteriewechsel.
- Die Batterie darf nur durch eine identische Batterie oder eine von Axis empfohlene Batterie ersetzt werden.
- Verbrauchte Batterien sind gemäß den örtlichen Vorschriften oder den Anweisungen des Herstellers zu entsorgen.

## Kuppelabdeckung

### **HINWEIS**

- Achten Sie darauf die Kuppelabdeckung weder zu zerkratzen, zu beschädigen oder darauf Fingerabdrücke zu hinterlassen, da dies die Bildqualität beeinträchtigen kann. Falls möglich entfernen Sie die Schutzfolie erst nachdem die Installation abgeschlossen ist.
- Säubern Sie niemals eine Kuppelabdeckung, wenn diese sauber erscheint, und polieren Sie keinesfalls die Oberfläche. Zu häufiges Säubern kann die Oberfläche beschädigen.
- Für die normale Reinigung der Kuppelabdeckung werden eine nicht-scheuernde, lösungsmittelfreie neutrale Seife oder ein entsprechendes Reinigungsmittel mit destilliertem Wasser und ein sauberer, weicher Lappen empfohlen. Spülen Sie die Kuppelabdeckung gründlich mit lauwarmem destilliertem Wasser ab. Trocknen Sie die Kuppelabdeckung mit einem weichen, sauberen Lappen, um Wasserflecken zu vermeiden.
- Verwenden Sie niemals aggressive Reinigungsmittel, Benzin, Benzol oder Aceton usw. Reinigen Sie die Kuppelabdeckung nicht bei direkter Sonneneinstrahlung oder höheren Temperaturen.
- Die Kamera darf nur mit angebrachter Kuppel betrieben werden, damit der Fokus nicht beeinträchtigt wird.





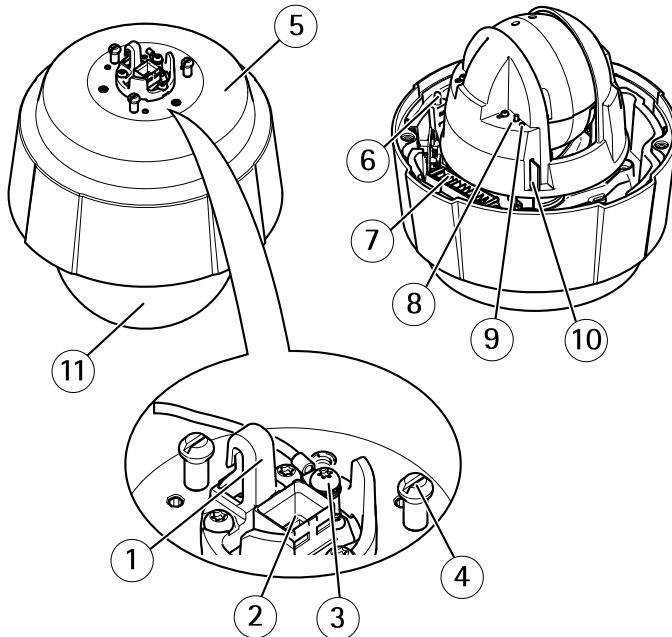
## Lieferumfang

- AXIS Q6052-E/Q6054-E/Q60555-E-PTZ-Dome-Netzwerk-Kamera
- Klare Kuppelabdeckung (vormontiert)
- Sonnenblende inklusive Schrauben (3x T20)
- RJ-45 Push-Pull-Steckverbinder (IP66)
- Axis High PoE Midspan 1-Port (LPS)
- Gedruckte Dokumente
  - Installationsanleitung (dieses Dokument)
  - Zusätzliche Etiketten mit der Seriennummer (2x)
  - AVHS-Authentifizierungsschlüssel

## Übersicht über die Hardware

### HINWEIS

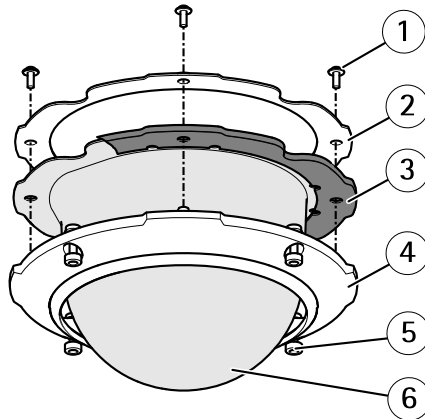
Die Kamera darf nur mit angebrachter Kuppel betrieben werden, damit der Fokus nicht beeinträchtigt wird.



1 Haken für Sicherheitsdraht

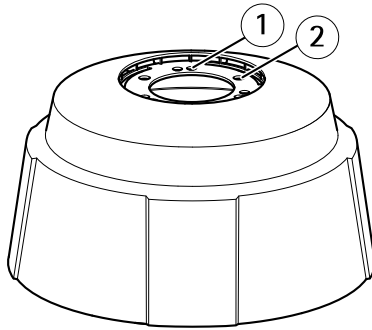
- 2 *Netzwerkanschluss (High PoE)*
- 3 *Masseschraube*
- 4 *Gerätehalter (3x)*
- 5 *Bestellnummer (P/N) und Seriennummer (S/N)*
- 6 *Netzschalter*
- 7 *Heizelement*
- 8 *Steuertaste*
- 9 *LED-Statusanzeige*
- 10 *SD-Kartensteckplatz*
- 11 *Kuppel*

## Kuppelabdeckung



- 1 *Kuppelhalterungsschraube PH2 (4x)*
- 2 *Kuppelhalterung*
- 3 *Gummidichtung*
- 4 *Kuppelring*
- 5 *Kuppelringschraube T30 (4x)*
- 6 *Kuppelabdeckung*

Sonnenblende



- 1 Schraubenbohrungen
- 2 Bohrungen für Gerätehalter

### Installieren des Produkts

Lesen Sie die Anweisungen, bevor Sie das Produkt installieren. Manche Installationsschritte sollten besser zusammen ausgeführt werden, denn sie erfordern die Entfernung der Kuppelabdeckung.

#### **HINWEIS**

- Das Produkt muss mit einem abgeschirmten Netzkabel (STP) angeschlossen werden. Alle Kabel, die das Produkt mit dem Netzwerkschalter verbinden, müssen hierfür ausgelegt sein. Stellen Sie sicher, dass die Netzwerkgeräte gemäß den Anweisungen des Herstellers installiert wurden. Informationen zu gesetzlichen Bestimmungen finden Sie unter *Electromagnetic Compatibility (EMC) 2*.
- Befestigen Sie das Produkt mit der Kuppelabdeckung nach unten zeigend.
- Achten Sie darauf die Kuppelabdeckung weder zu zerkratzen, zu beschädigen oder darauf Fingerabdrücke zu hinterlassen, da dies die Bildqualität beeinträchtigen kann. Falls möglich, entfernen Sie die Schutzfolie erst nach Abschluss der Installation.

### Empfohlene Werkzeuge

- Torx® T20-Schraubendreher
- Torx® T30-Schraubendreher
- PH2-Schraubendreher (zum Austausch der Kuppelabdeckung)
- Kabelschuh-Zange
- Seitenschneider

### Anbringen der Sonnenblende (optional)

Die Sonnenblende schützt die Kamera vor UV-Strahlung und sorgt für kühle Temperaturen innerhalb der Kamera.

1. Schieben Sie die Sonnenblende über die Halter an der Kamera.
2. Befestigen Sie die Sonnenblende mit den mitgelieferten Schrauben (T20).

### Austausch der Kuppelabdeckung (optional)

Die vormontierte klare Kuppelabdeckung kann ausgetauscht werden, wenn Sie eine getönte Kuppelabdeckung verwenden möchten oder wenn die Kuppelabdeckung zerkratzt oder beschädigt ist. Getönte Kuppelabdeckungen oder klare Ersatzabdeckungen können über Ihren Axis Händler erworben werden.

Die Positionen der Komponenten finden Sie unter *Übersicht über die Hardware auf Seite 41*.

1. Lösen Sie die Kuppelringschrauben und entfernen Sie die Kuppelabdeckung.

2. Entfernen Sie die Kuppelhalterungsschrauben und entfernen Sie die Kuppelhalterung aus dem Kuppelring.
3. Vergewissern Sie sich, dass die Gummidichtung ordnungsgemäß an der Kuppelabdeckung angebracht ist.
4. Richten Sie die Kuppelabdeckung an einem der Logos auf dem Kuppelring aus.
5. Bringen Sie die Kuppelhalterung und die Kuppelabdeckung am Kuppelring an und ziehen Sie die Schrauben fest (Anzugsmoment 1,2 Nm).
6. Weitere Informationen zur Installation einer SD-Speicherkarte finden Sie unter *Installieren einer SD-Speicherkarte (optional) auf Seite 45.*
7. Bringen Sie die Kuppelabdeckung an der oberen Abdeckung an, indem Sie die Ausbuchtung der Kuppelabdeckung am Heizelement der Kameraeinheit ausrichten und die Schrauben festziehen (Anzugsmoment 1,5 Nm).

## Installieren einer SD-Speicherkarte (optional)

Die Installation einer SD-Karte ist optional. Mit einer Standard-SD-Karte oder SD-Karte mit hoher Kapazität (nicht enthalten) können Aufzeichnungen direkt/lokal auf dem Produkt gespeichert werden.

1. Lösen Sie die Kuppelringschrauben und entfernen sie die Kuppelabdeckung.
2. Schieben Sie die SD-Karte in den SD-Karteneinschub.
3. Bringen Sie die Kuppelabdeckung an der oberen Abdeckung an, indem Sie die Ausbuchtung der Kuppelabdeckung am Heizelement der Kameraeinheit ausrichten und die Schrauben festziehen (Anzugsmoment 1,5 Nm).

## Anbringen der Kamera an der Halterung

### **⚠️ WARNUNG**

Stromschlaggefahr. Das Produkt muss mit einem Erdungskabel geerdet werden. Sorgen Sie dafür, dass beide Enden des Erdungskabels Kontakt mit den entsprechenden Erdungsflächen haben.

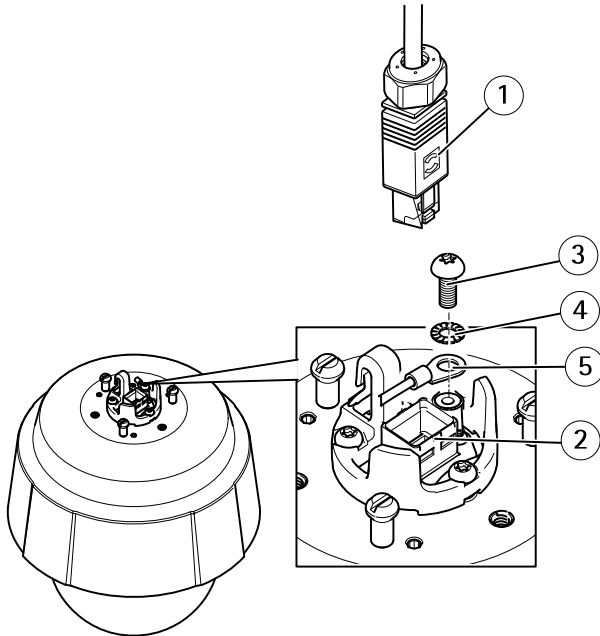
### **HINWEIS**

Verwenden Sie den im Lieferumfang enthaltenen RJ-45 Push-Pull-Steckverbinder (IP66), um die IP66-Schutzart der Kamerabauweise einzuhalten und den IP66-Schutz beizubehalten. Sie können auch das RJ45-Kabel mit IP66-Rating und vorbelegtem Stecker verwenden. Dieses erhalten Sie bei Ihrem Axis Händler. Entfernen Sie nicht die Kunststoffabschirmung des Anschlusses von der Kamera.

Bei der Montage dieses Produkts können Sie die Kabel entweder durch die Wand oder die Decke führen.

1. Installieren Sie die ausgewählte Halterung entsprechend den mitgelieferten Anweisungen. Falls das Bohren von Löchern erforderlich ist, stellen Sie sicher, dass die Bohrer, Schrauben und Dübel für den Baustoff der Wand/Decke geeignet sind.

2. Sichern Sie die Kamera mit dem mitgelieferten Sicherheitsdraht.
3. Führen Sie das Netzkabel und das Erdungskabel durch die Öffnungen in der Montagehalterung. Halten Sie die Masseleitung so kurz wie möglich.
4. Lösen Sie die Masseschraube und entfernen Sie die Unterlegscheibe und den Kabelschuh.



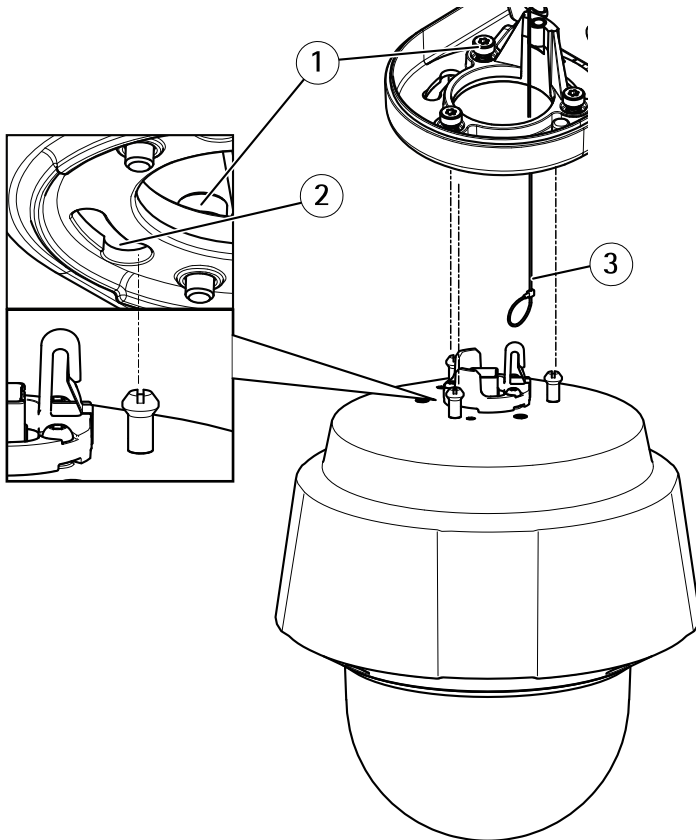
- 1 *Netzwerkanschluss – RJ-45 Push-Pull-Steckverbinder (IP66)*
- 2 *Netzwerkstecker und Abschirmung des Netzwerksteckers*
- 3 *Masseschraube T20*
- 4 *Unterlegscheibe*
- 5 *Kabelschuh*

5. Befestigen Sie das Erdungskabel mithilfe der Kabelschuh-Zange (Anzugsmoment 1,5 bis 2 Nm) am Kabelschuh.
6. Bringen Sie den Kabelschuh und die Unterlegscheibe zurück in die Originalposition und ziehen Sie die Schrauben fest (Anzugsmoment 0,5 Nm). Sorgen Sie dafür, dass der Kabelschuh Kontakt zur Erdungsfläche hat.

### **HINWEIS**

Schließen Sie das Netzkabel sorgfältig an, damit es nicht beschädigt wird.

7. Wenn der RJ-45 Push-Pull-Steckverbinder (IP66) noch nicht mit dem Netzkabel verbunden wurde, lesen Sie die mit dem Stecker gelieferten Anweisungen. Informationen zur Montage eines IP66-konformen RJ-45-Steckers finden Sie unter *Seite 49*.
8. Schließen Sie das Netzkabel an.
9. Schieben Sie die Gerätehalterung der Netzwerk-Kamera in die Öffnungen der Montagehalterung und drehen Sie die Kameraeinheit.
10. Befestigen Sie die Netzwerk-Kamera an der Wandhalterung, indem Sie die Schrauben festziehen.



- 1 Schraube T30 (3x)
- 2 Steckplatz für Gerätehalterung (3x)
- 3 Sicherheitsdraht

11. Anweisungen zur Installation des mitgelieferten Midspan finden Sie in der beiliegenden Installationsanleitung oder unter [www.axis.com](http://www.axis.com).

## Zugriff auf das Produkt

Für die Suche nach Axis Produkten im Netzwerk und zur Zuweisung einer IP-Adresse unter Windows® werden AXIS IP Utility und AXIS Camera Management empfohlen. Beide Anwendungen sind kostenlos und können von unserer Website unter [www.axis.com/techsup](http://www.axis.com/techsup) heruntergeladen werden.

Das Produkt ist mit den meisten Betriebssystemen und Browsern kompatibel. Empfohlen werden folgende Browser:

- Internet Explorer® unter Windows®
- Safari® unter OS X®
- Chrome™ oder Firefox® unter anderen Betriebssystemen

Weitere Informationen zur Nutzung dieses Produkts finden Sie im Benutzerhandbuch unter [www.axis.com](http://www.axis.com).

## Zurücksetzen auf Werkseinstellungen

### Wichtig

Das Zurücksetzen auf die Werkseinstellungen sollte mit Vorsicht verwendet werden. Beim Zurücksetzen auf die Werkseinstellungen werden alle Einstellungen einschließlich der IP-Adresse auf die Werkseinstellungen zurückgesetzt.

### Beachten

Die Software-Tools für Installation und Verwaltung sind über die Supportseiten unter [www.axis.com/techsup](http://www.axis.com/techsup) verfügbar.

So wird das Produkt auf die werksseitigen Standardeinstellungen zurückgesetzt:

1. Halten Sie die Steuer- und die Netztaaste für 15 bis 30 Sekunden gedrückt, bis die LED-Statusanzeige gelb blinkt. Siehe *Übersicht über die Hardware auf Seite 41*.
2. Lassen Sie die Steuertaste los, halten Sie die Netztaaste allerdings gedrückt, bis die LED-Statusanzeige grün leuchtet.
3. Lassen Sie die Netztaaste los und montieren Sie das Gerät.
4. Der Vorgang ist damit abgeschlossen. Das Produkt wurde auf die Werkseinstellungen zurückgesetzt. Wenn kein DHCP-Server im Netzwerk verfügbar ist, lautet die Standard-IP-Adresse 192.168.0.90.
5. Verwenden Sie die Software-Tools für Installation und Verwaltung, um eine IP-Adresse zuzuweisen, ein Kennwort einzurichten und auf den Videostrom zuzugreifen.

Die Parameter können auch über die Weboberfläche auf die Werkseinstellungen zurückgesetzt werden. Rufen Sie **Setup > System Options > Maintenance (Setup > Systemoptionen > Wartung)** auf und klicken Sie auf **Default (Standard)**.



## Weitere Informationen

- Unter [www.axis.com](http://www.axis.com) finden Sie die aktuelle Version dieses Dokuments.
- Das Benutzerhandbuch steht unter [www.axis.com](http://www.axis.com) zur Verfügung.
- Unter [www.axis.com/support](http://www.axis.com/support) finden Sie Firmware-Aktualisierungen für Ihre Produkte.
- Nützliche Onlineschulungen und Webinare finden Sie unter [www.axis.com/academy](http://www.axis.com/academy).

Scannen Sie den QR-Code, um ein Anleitungsvideo für den Anschluss des mitgelieferten RJ45-Steckers zum Stecken/Ziehen (IP66) zu öffnen.



## Optionales Zubehör

Eine vollständige Liste mit Zubehör für dieses Produkt finden Sie unter [www.axis.com](http://www.axis.com).

## Gewährleistungsinformationen

Informationen zur Gewährleistung der Axis Produkte und andere, hierzu relevante Informationen, finden Sie unter [www.axis.com/warranty/](http://www.axis.com/warranty/)

## Technische Daten

### LEDs

Status-LED	Bedeutung
Leuchtet nicht	Anschluss und Normalbetrieb
Grün	Leuchtet bei Normalbetrieb nach Abschluss des Startvorgangs 10 Sekunden lang grün.
Gelb	Leuchtet beim Start. Blinkt bei der Firmware-Aktualisierung.
Gelb/rot	Blinkt gelb/rot, wenn die Netzwerkverbindung nicht verfügbar ist oder unterbrochen wurde.
Rot	Blinkt rot bei einem Fehler während der Firmware-Aktualisierung.

### Tasten

#### Steuertaste

Die Steuertaste befindet sich an folgender Stelle: *Übersicht über die Hardware auf Seite 41.*

Die Steuertaste hat folgende Funktionen:

- Zurücksetzen des Produkts auf die Werkseinstellungen. Siehe *Seite 48.*
- Verbinden mit einem AXIS Video Hosting System-Service oder einem AXIS Internet Dynamic DNS-Service. Weitere Informationen zu diesen Diensten finden Sie in der Bedienungsanleitung.

#### Netzschalter

Drücken Sie den Netzschalter und halten Sie diesen gedrückt, um das Produkt bei entfernter Kuppelabdeckung kurzzeitig anzuschalten. Der Netzschalter wird auch zusammen mit der Steuertaste verwendet, um die Kamera auf die werkseitigen Standardeinstellungen zurückzusetzen. Siehe *Seite 48.*

### Anschlüsse

#### Netzwerkanschluss

RJ-45-Anschluss zum Stecken/Ziehen (IP66) mit High Power over Ethernet (High PoE).

#### **HINWEIS**

Benutzen Sie den mitgelieferten Midspan.

## HINWEIS

Das Produkt muss mit einem abgeschirmten Netzkabel (STP) angeschlossen werden. Alle Kabel, die das Produkt mit dem Netzwerkschalter verbinden, müssen hierfür ausgelegt sein. Stellen Sie sicher, dass die Netzwerkgeräte gemäß den Anweisungen des Herstellers installiert wurden. Informationen zu gesetzlichen Bestimmungen finden Sie unter *Electromagnetic Compatibility (EMC) 2*.

## HINWEIS

Verwenden Sie den im Lieferumfang enthaltenen RJ45-Anschluss zum Stecken/Ziehen (IP66), um die IP66-Einstufung der Kamerabauweise einzuhalten und den IP66-Schutz beizubehalten. Sie können auch das RJ45-Kabel mit IP66-Rating und vorbelegtem Stecker verwenden. Dieses erhalten Sie bei Ihrem Axis Händler. Entfernen Sie nicht die Kunststoffabschirmung des Anschlusses von der Kamera.

## SD-Karteneinschub

### HINWEIS

- Gefahr von Schäden an der SD-Karte. Verwenden Sie beim Einlegen oder Entfernen der SD-Karte keine scharfen/spitzen Werkzeuge oder Gegenstände aus Metall und wenden Sie nicht zu viel Kraft an. Setzen Sie die Karte per Hand ein. Das Gleiche gilt für das Entfernen.
- Gefahr von Datenverlust und Beschädigung der Aufnahmen. Die SD-Karte darf nicht entfernt werden, während das Produkt in Betrieb ist. Trennen Sie die Stromversorgung oder deaktivieren Sie die SD-Karte vor dem Entfernen über die Webseiten des Axis Produkts.

Dieses Produkt unterstützt SD-/SDHC-/SDXC-Karten (separat erhältlich).

Empfehlungen zu SD-Karten finden Sie unter [www.axis.com](http://www.axis.com).

## Betriebsbedingungen

Das Axis Produkt ist für die Verwendung im Außenbereich konzipiert.

Produkt	Klassifikation	Temperatur	Luftfeuchtigkeit
AXIS Q6052-E	IEC 60721-4-3 Klasse 3K3, 3M3 IEC 60529 IP66	-50 °C bis 50 °C	10 bis 100 % rF (kondensierend)
AXIS Q6054-E		*	
AXIS Q6055-E		Maximale Temperatur (periodisch): 60 °C	

\* Arctic Temperature Control ermöglicht die Inbetriebnahme der Kamera bereits bei Temperaturen ab -40 °C

## Lagerbedingungen

Temperatur
-50 bis +60 °C

## Stromverbrauch

### **HINWEIS**

Verwenden Sie eine mit den Anforderungen für Schutzkleinspannung (SELV) kompatible Stromquelle mit begrenzter Leistung (LPS), entweder mit einer Nennausgangsleistung von  $\leq 100$  W oder einem dauerhaft auf  $\leq 5$  A begrenzten Nennausgangsstrom. Axis empfiehlt die Verwendung des mitgelieferten Midspans.

Produkt	Axis High PoE Midspan 1-Port (enthalten)	Axis PoE+ Midspan 1-Port
AXIS Q6052-E	100 bis 240 V AC, max. 74 W	IEEE 802.3at, Typ 2 Klasse 4 100 bis 240 V AC, max. 37 W
AXIS Q6054-E		
AXIS Q6055-E		

## Informazioni di sicurezza

Leggere con attenzione questa guida all'installazione prima di installare il dispositivo. Conservare questo documento per usi futuri.

### Livelli di pericolo

#### **▲PERICOLO**

Indica una situazione pericolosa che, se non evitata, provoca morte o lesioni gravi.

#### **▲AVVERTENZA**

Indica una situazione pericolosa che, se non evitata, potrebbe provocare la morte o lesioni gravi.

#### **▲ATTENZIONE**

Indica una situazione pericolosa che, se non evitata, può provocare lesioni medie o minori.

#### **AWISO**

Indica una situazione che, se non evitata, può danneggiare la proprietà.

### Altri livelli di messaggio

#### Importante

Indica informazioni importanti, essenziali per il corretto funzionamento del dispositivo.

#### Nota

Indica informazioni utili che aiutano a ottenere il massimo dal dispositivo.

## Informazioni di sicurezza

#### **▲AVVERTENZA**

- Il dispositivo Axis deve essere installato da un professionista qualificato.

#### **AWISO**

- Il dispositivo Axis deve essere utilizzato in conformità alle leggi e alle disposizioni locali.
- Conservare il dispositivo Axis in un ambiente asciutto e ventilato.
- Evitare di esporre il dispositivo Axis a urti o pressioni eccessive.
- Non installare il dispositivo su supporti, superfici o pareti instabili.
- Utilizzare solo strumenti idonei quando si installa il dispositivo Axis. Se si utilizza una forza eccessiva con strumenti non adatti è possibile causare danni al dispositivo.
- Non utilizzare sostanze chimiche, agenti caustici o detergenti aerosol.
- Utilizzare un panno pulito inumidito in acqua pura per la pulizia.
- Utilizzare solo accessori compatibili con le specifiche tecniche del dispositivo. Questi possono essere forniti da Axis o da terze parti.
- Utilizzare solo parti di ricambio fornite o consigliate da Axis.

## AXIS Q60-E Series

---

- Non tentare di riparare il dispositivo da soli. Contattare l'assistenza o il rivenditore Axis per questioni relative alla manutenzione.
- Non rivolgere l'obiettivo della telecamera verso il sole o altre sorgenti di radiazioni molto intense poiché si potrebbe danneggiare la telecamera.
- Il dispositivo dovrebbe essere collegato ad una presa di corrente vicina e facilmente accessibile.
- Utilizzare una sorgente di alimentazione limitata (LPS) con una potenza di uscita nominale limitata a  $\leq 100$  W o una corrente nominale di uscita limitata a  $\leq 5$  A.

### Trasporto

#### **AVVISO**

- Durante il trasporto del dispositivo Axis, utilizzare l'imballaggio originale o equivalente per evitare danni al dispositivo.

### Batteria

Il dispositivo Axis utilizza una batteria al litio da 3,0 V CR2032 come alimentazione per il suo real-time clock (RTC) interno. In condizioni normali questa batteria avrà una durata minima di cinque anni.

Una bassa carica della batteria influisce sul funzionamento del RTC, facendolo resettare a ogni accensione. Quando la batteria deve essere sostituita, un messaggio di registro viene visualizzato nel server report del dispositivo. Per ulteriori informazioni sul report server, vedere le pagine di configurazione del dispositivo o contattare l'assistenza Axis.

La batteria non deve essere sostituita se non richiesto, ma nel caso in cui questo fosse necessario, contattare il supporto Axis all'indirizzo [www.axis.com/techsup](http://www.axis.com/techsup) per assistenza.

La batteria a bottone al litio 3,0 V contiene 1,2-dimetossietano; etere dimetilico di glicole etilenico (EGDME), CAS n. 110-71-4.

#### **▲AVVERTENZA**

- Rischio di esplosione se la batteria viene sostituita in modo errato.
- Sostituire solo con una batteria identica o una batteria consigliata da Axis.
- Smaltire le batterie usate in base alle normative locali o alle istruzioni del produttore della batteria.

### Coperchio della cupola

#### **AVVISO**

- Fare attenzione a non graffiare, danneggiare o lasciare impronte sul cupola di protezione, perché potrebbe diminuire la qualità dell'immagine. Se possibile, tenere la protezione in plastica sulla cupola di protezione fino a quando l'installazione non sarà completata.

- Non pulire la cupola di protezione quando allo sguardo sembra pulita e non lucidare la superficie. Una pulizia eccessiva potrebbe danneggiare la superficie.
- Per la pulizia generale della cupola di protezione, si consiglia di utilizzare un sapone neutro o detergente non abrasivo con acqua pura e un panno morbido e pulito. Sciacquare bene con acqua pura tiepida. Asciugare con un panno morbido e pulito per evitare macchie d'acqua.
- Non usare mai detersivi aggressivi, benzina, benzene o acetone ecc ed evitare di pulire la cupola di protezione alla luce diretta del sole o a temperature elevate.
- Assicurarsi che la cupola venga installata quando il dispositivo è operativo in modo da non alterare la messa a fuoco.





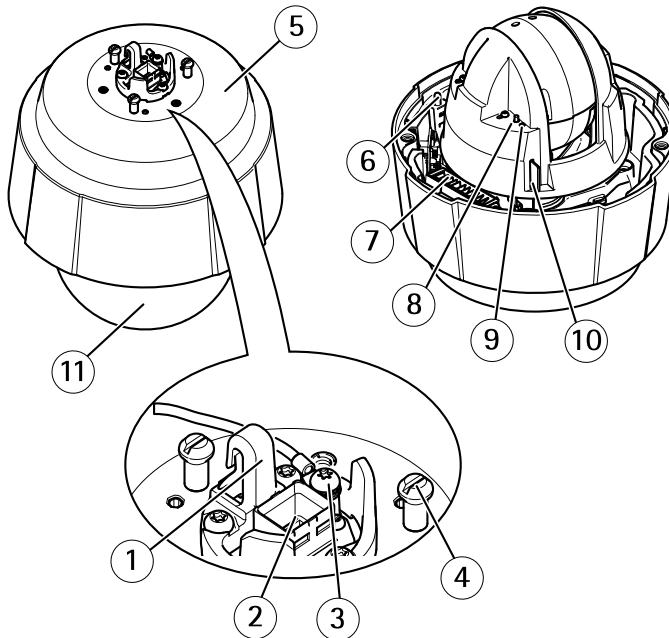
## Contenuto della confezione

- Telecamera di rete a cupola PTZ AXIS Q6052-E/Q6054-E/Q60555-E
- Copertura a cupola trasparente (premontata)
- Parasole, incluse viti T20 (3x)
- Connettore push-pull RJ45 (IP66)
- Midspan Axis High PoE con 1 porta (LPS)
- Materiale cartaceo
  - Guida all'installazione (questo documento)
  - Etichetta aggiuntiva con numero di serie (2)
  - Chiave di autenticazione AVHS

## Panoramica dell'hardware

### AVVISO

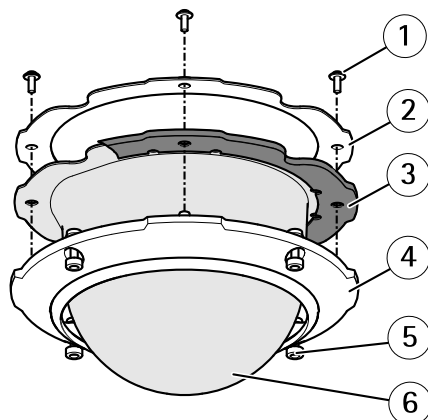
Assicurarsi che la cupola venga collegata in modalità operativa in modo da non alterare la messa a fuoco.



1 Gancio per cavo di sicurezza

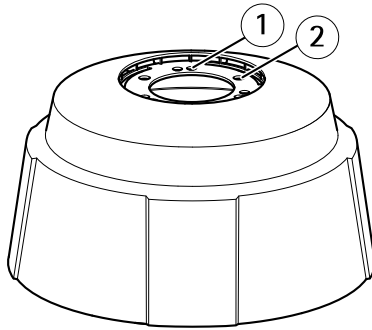
- 2 Connettore di rete (High PoE)
- 3 Vite di terra
- 4 Supporto unità (3x)
- 5 Codice prodotto (N/P) e numero di serie (N/S)
- 6 Tasto di accensione
- 7 Riscaldatore
- 8 Pulsante di comando
- 9 Indicatore LED di stato
- 10 Slot per scheda SD
- 11 Cupola

### Cupola di protezione



- 1 Vite staffa cupola PH2 (4)
- 2 Staffa cupola
- 3 Guarnizione in gomma
- 4 Anello cupola
- 5 Viti anello cupola T30 (4x)
- 6 Cupola di protezione

Parasole



- 1 *Fori per le viti*
- 2 *Fori per i supporti dell'unità*

### Come installare il dispositivo

Leggere attentamente tutte le istruzioni prima di installare il dispositivo. Alcune fasi d'installazione dovrebbero essere eseguite in parallelo perché richiedono la rimozione della cupola di protezione.

#### **AVISO**

- Collegare il dispositivo con un cavo di rete schermato (STP). Tutti i cavi che collegano il dispositivo alla rete sono destinati al loro uso specifico. Accertarsi che i dispositivi di rete siano installati secondo le istruzioni del produttore. Per maggiori informazioni sui requisiti normativi, consultare *Electromagnetic Compatibility (EMC) 2*.
- Montare il dispositivo con la cupola rivolto verso il basso.
- Fare attenzione a non graffiare, danneggiare o lasciare impronte sulla cupola, perché potrebbe diminuire la qualità dell'immagine. Se possibile, tenere la protezione in plastica sulla cupola fino a quando l'installazione non sarà completata.

### Strumenti consigliati

- Cacciavite Torx® T20
- Cacciavite Torx® T30
- Cacciavite PH2 (per cambiare la cupola)
- Pinza per il capocorda
- Tronchese

### Fissaggio del parasole (opzionale)

Il parasole protegge la telecamera dalla luce UV e aiuta a mantenere bassa la temperatura all'interno della telecamera.

1. Far scorrere il parasole sui supporti dell'unità della telecamera.
2. Fissare il parasole in posizione utilizzando le viti fornite (T20).

### Sostituzione della cupola (facoltativo)

La cupola trasparente premontata può essere sostituita se si desidera utilizzare la cupola oscurata o se la cupola è graffiata o danneggiata. È possibile acquistare cupole oscurate o trasparenti di ricambio presso il proprio rivenditore Axis.

Per l'ubicazione dei componenti, vedere *Panoramica dell'hardware alla pagina 57*.

1. Allentare le viti dell'anello della cupola e rimuovere la copertura della cupola.
2. Rimuovere le viti della staffa della cupola, la staffa cupola e il coperchio dall'anello della cupola.

3. Assicurarsi che la guarnizione in gomma sia ben fissata al coperchio della cupola.
4. Allineare la protuberanza sulla cupola con uno dei logotipi sull'anello della cupola.
5. Fissare la staffa e il coperchio della cupola all'anello della cupola e serrare le viti (coppia 1,2 Nm).
6. Per installare una scheda SD, consultare *Installazione di una scheda SD (facoltativa) alla pagina 61*.
7. Per fissare il coperchio della cupola sulla copertura superiore, allineare la protuberanza sulla cupola con il riscaldatore della telecamera e serrare le viti (serraggio 1,5 Nm).

## Installazione di una scheda SD (facoltativa)

L'installazione di una scheda SD è facoltativa. Una scheda SD standard o ad alta capacità (non inclusa) può essere utilizzata per memorizzare le registrazioni localmente nel dispositivo.

1. Allentare le viti dell'anello della cupola e rimuovere la copertura della cupola.
2. Inserire una scheda SD nello slot per schede SD.
3. Per fissare il coperchio della cupola sulla copertura superiore, allineare la protuberanza sulla cupola con il riscaldatore della telecamera e serrare le viti (serraggio 1,5 Nm).

## Installazione di una telecamera con montaggio a staffa

### ⚠AVVERTENZA

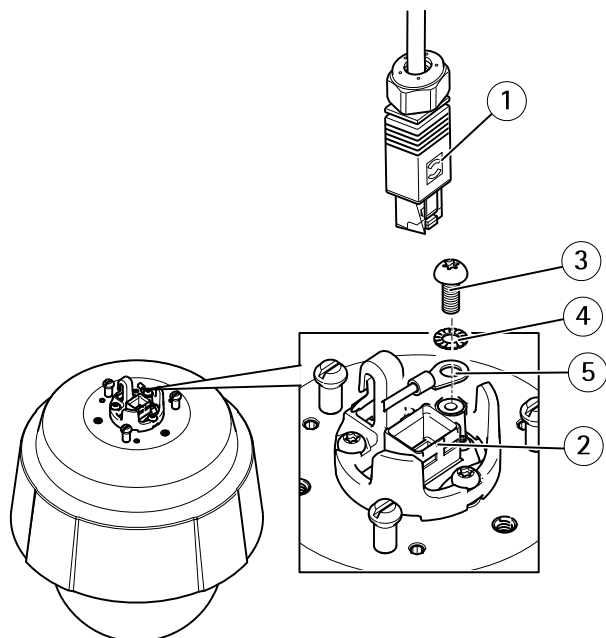
Rischio di scosse elettriche. Il dispositivo deve essere collegato a terra utilizzando un cavo di messa a terra. Assicurarsi che entrambe le estremità del cavo di messa a terra siano in contatto con le rispettive superfici di messa a terra.

### AWISO

È necessario utilizzare il connettore push-pull RJ45 (IP66) in dotazione per mantenere inalterate le caratteristiche di tenuta e protezione di classe IP66 della telecamera. In alternativa, utilizzare il cavo RJ45 di classe IP66 con connettore premontato disponibile presso il proprio rivenditore Axis. Non rimuovere la schermatura in plastica del connettore di rete dalla telecamera.

Questo dispositivo può essere montato installando i cavi attraverso o lungo la parete o il tetto.

1. Installare la staffa selezionata in base alle istruzioni fornite. Se è necessario forare, assicurarsi di utilizzare punte, viti e tasselli adatti al materiale.
2. Fissare la telecamera utilizzando il cavo di sicurezza in dotazione.
3. Infilare il cavo di rete e un cavo di messa a terra attraverso i fori presenti sulla staffa di montaggio. Assicurarsi che il cavo di messa a terra sia il più corto possibile per ridurre al minimo il percorso della corrente.
4. Allentare le viti della messa a terra, quindi rimuovere la rondella e il capocorda.



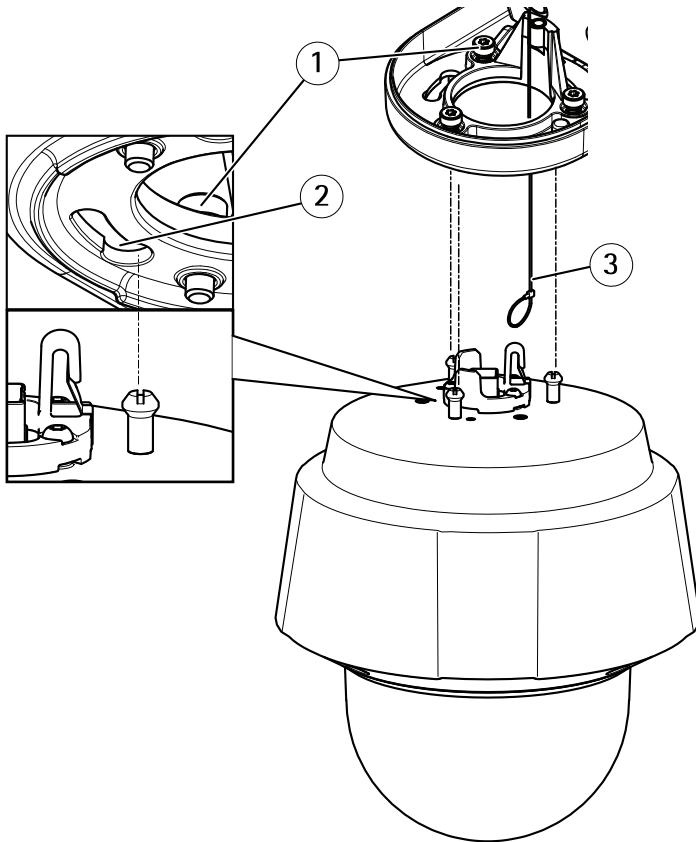
- 1 Connettore di rete – Connettore push-pull RJ45 (IP66)
- 2 Connettore di rete e schermo del connettore di rete
- 3 Vite a terra T20
- 4 Rondella
- 5 Capocorda

5. Fissare il cavo di messa a terra (torque da 1,5 a 2 Nm) al capocorda utilizzando le pinze del capocorda.
6. Rimontare il capocorda e la rondella nelle rispettive posizioni originali, quindi stringere la vite (serraggio 0,5 Nm). Assicurarsi che il capocorda sia in contatto con la superficie di messa a terra.

### **AWISO**

Fare attenzione a non danneggiare il cavo di rete quando lo si collega.

7. Se il connettore push-pull RJ45 (IP66) non è stato collegato al cavo di rete, vedere le istruzioni fornite con il connettore. Per informazioni su come assemblare un connettore RJ45 di classe IP66, consultare *pagina 65*.
8. Collegare il cavo di rete.
9. Far scorrere i supporti dell'unità sulla telecamera di rete nelle fessure della staffa di montaggio e ruotare la telecamera.
10. Fissare la telecamera di rete alla staffa di montaggio stringendo le viti.



- 1 Vite T30 (3x)
- 2 Slot per supporti unità (3x)
- 3 Cavo di sicurezza

11. Per installare il midspan fornito, consultare la guida all'installazione fornita con il midspan o disponibile all'indirizzo [www.axis.com](http://www.axis.com)

## Accedere al dispositivo

AXIS IP Utility e AXIS Camera Management sono i metodi consigliati per trovare i dispositivi Axis in rete e assegnare loro un indirizzo IP in Windows®. Queste applicazioni sono entrambe gratuite e possono essere scaricate da [www.axis.com/techsup](http://www.axis.com/techsup)

Il dispositivo può essere utilizzato con la maggior parte dei sistemi operativi e dei browser. I browser consigliati sono i seguenti:

- Internet Explorer® con Windows®
- Safari® con OS X®
- Chrome™ o Firefox® con altri sistemi operativi.

Per ulteriori informazioni sull'utilizzo del dispositivo, consultare la guida per l'utente disponibile sul sito Web [www.axis.com](http://www.axis.com)

## Ripristino dei valori predefiniti di fabbrica

### Importante

Il ripristino delle impostazioni di fabbrica deve essere usato con cautela. Un ripristino delle impostazioni di fabbrica consentirà di ripristinare le impostazioni di fabbrica per tutti i parametri, incluso l'indirizzo IP.

### Nota

Gli strumenti per l'installazione e la gestione del software sono disponibili nelle pagine dedicate all'assistenza sul sito Web [www.axis.com/techsup](http://www.axis.com/techsup).

Per ripristinare il dispositivo alle impostazioni predefinite di fabbrica:

1. Tenere premuti il pulsante di controllo e il pulsante di accensione per 15-30 secondi fino a quando il LED di stato lampeggerà in giallo. Vedere *Panoramica dell'hardware alla pagina 57*.
2. Rilasciare il pulsante di controllo, ma continuare a tenere premuto il pulsante di accensione fino a quando il LED di stato diventa verde.
3. Rilasciare il pulsante di accensione e montare il dispositivo.
4. A questo punto il processo è completato. Il dispositivo è stato reimpostato alle impostazioni di fabbrica predefinite. Se nessun server DHCP è disponibile in rete, l'indirizzo IP predefinito è 192.168.0.90.
5. Mediante gli strumenti per l'installazione e la gestione del software, assegnare un indirizzo IP, impostare la password e accedere al flusso video.

È anche possibile reimpostare i parametri alle impostazioni predefinite di fabbrica mediante l'interfaccia Web. Andare a **Setup > System Options > Maintenance (Configurazione > Opzioni di sistema > Manutenzione)** e fare clic su **Default (Predefinito)**.



## Ulteriori informazioni

- Per la versione più recente di questo documento, visitare il sito all'indirizzo [www.axis.com](http://www.axis.com)
- Il manuale per l'utente è disponibile all'indirizzo [www.axis.com](http://www.axis.com)
- Per verificare se sono stati pubblicati aggiornamenti del firmware per il proprio dispositivo, vedere [www.axis.com/support](http://www.axis.com/support)
- Per servizi di formazione utili e webinar, visita il sito [www.axis.com/academy](http://www.axis.com/academy)

Eeguire una scansione del codice QR, per vedere un video che spiega come assemblare il connettore push-pull RJ45 (IP66) fornito.



## Accessori opzionali

Per un elenco completo degli accessori disponibili per questo dispositivo, vedere [www.axis.com](http://www.axis.com)

## Informazioni sulla garanzia

Per informazioni sulla garanzia del dispositivo Axis e informazioni ad esso relative, consultare la pagina [www.axis.com/warranty/](http://www.axis.com/warranty/)

## Dati tecnici

### Indicatori LED

LED di stato	Indicazione
Spento	Connessione e funzionamento normale.
Verde	Una luce verde fissa per 10 secondi indica il normale funzionamento una volta completato l'avvio.
Giallo	Luce fissa durante l'avvio. Lampeggia durante l'aggiornamento del firmware.
Giallo/rosso	Lampeggia in giallo/rosso se il collegamento di rete non è disponibile o è stato perso.
Rosso	Lampeggia in rosso se l'aggiornamento del firmware non è andato a buon fine.

### Pulsanti

#### Pulsante di comando

Per l'ubicazione del pulsante di comando, vedere *Panoramica dell'hardware alla pagina 57*.

Il pulsante di comando viene utilizzato per:

- Ripristino del dispositivo alle impostazioni predefinite di fabbrica. Consultare *pagina 64*.
- Collegamento a un servizio AXIS Video Hosting System o AXIS Internet Dynamic DNS Service. Per ulteriori informazioni su questi servizi, consultare il Manuale Utente.

#### Tasto di accensione

Tenere premuto il tasto di accensione per alimentare il prodotto temporaneamente quando è stato rimosso il coperchio della cupola. Il pulsante di accensione è utilizzato anche con il tasto di controllo per ripristinare la fotocamera alle impostazioni predefinite di fabbrica. Consultare *pagina 64*.

### Connettori

#### Connettore di rete

Connettore push-pull RJ45 (IP66) con High Power over Ethernet (High PoE).

#### **AWISO**

Utilizzare il midspan fornito.

**AWISO**

Collegare il dispositivo con un cavo di rete schermato (STP). Tutti i cavi che collegano il dispositivo alla rete sono destinati al loro uso specifico. Accertarsi che i dispositivi di rete siano installati secondo le istruzioni del produttore. Per maggiori informazioni sui requisiti normativi, consultare *Electromagnetic Compatibility (EMC) 2*.

**AWISO**

È necessario utilizzare il Connettore push-pull RJ45 (IP66) in dotazione per mantenere inalterate le caratteristiche di tenuta e protezione di classe IP66 della telecamera. In alternativa, utilizzare il cavo RJ45 di classe IP66 con connettore premontato disponibile presso il proprio rivenditore Axis. Non rimuovere la schermatura in plastica del connettore di rete dalla telecamera.

**Slot per scheda SD**

**AWISO**

- Rischio di danni alla scheda SD. Non utilizzare strumenti appuntiti o oggetti metallici e non esercitare eccessiva forza durante l'inserimento o la rimozione della scheda SD. Utilizzare le dita per inserire e rimuovere la scheda.
- Rischio di perdita di dati e danneggiamento delle registrazioni. Non rimuovere la scheda SD mentre il dispositivo è in funzione. Scollegare l'alimentazione ed effettuare l'unmount della scheda SD dalle pagine Web del dispositivo Axis prima di rimuoverla.

Questo dispositivo supporta schede di memoria SD/SDHC/SDXC (scheda di memoria non inclusa).

Per i consigli sulla scheda SD, visitare il sito Web [www.axis.com](http://www.axis.com).

**Condizioni di funzionamento**

Il dispositivo Axis è destinato all'uso esterno.

Dispositivo	Classificazione	Temperatura	Umidità
AXIS Q6052-E	IEC 60721-4-3 Classe 3K3, 3M3 IEC 60529 IP66	Da -50 °C a 50 °C*	10-100% (umidità relativa con condensa)
AXIS Q6054-E		Temperatura massima (intermittente): 60°C	
AXIS Q6055-E			

\* Arctic Temperature Control consente di avviare la telecamera a temperature fino a -40 °C

### Condizioni di stoccaggio

Temperatura
Da -50 °C a 60 °C

### Consumo energetico

**AVVISO**

Utilizzare una sorgente di alimentazione limitata (LPS) compatibile con una bassissima tensione di sicurezza (SELV) con una potenza di uscita nominale limitata a  $\leq 100$  W o una corrente nominale di uscita limitata a  $\leq 5$  A. Axis consiglia di utilizzare il midspan fornito.

Dispositivo	Midspan Axis High PoE con 1 porta (incluso)	Midspan Axis PoE+ con 1 porta
AXIS Q6052-E	100-240 V CA, max 74 W	IEEE 802.3at, Tipo 2 Classe 4 100-240 V CA, max 37 W
AXIS Q6054-E		
AXIS Q6055-E		

## Información de seguridad

Lea esta Guía de instalación con atención antes de instalar el producto. Guarde la Guía de instalación para poder consultarla en otro momento.

### Niveles de peligro

#### **▲PELIGRO**

Indica una situación peligrosa que, si no se evita, provocará lesiones graves o la muerte.

#### **▲ADVERTENCIA**

Indica una situación peligrosa que, si no se evita, puede provocar lesiones graves o la muerte.

#### **▲ATENCIÓN**

Indica una situación peligrosa que, si no se evita, puede provocar lesiones moderadas o leves.

#### **AVISO**

Indica una situación peligrosa que, si no se evita, puede provocar daños materiales.

### Otros niveles de mensaje

#### Importante

Indica información importante que es fundamental para que el producto funcione correctamente.

#### Nota

Indica información útil que ayuda a aprovechar el producto al máximo.

## Instrucciones de seguridad

#### **▲ADVERTENCIA**

- El encargado de instalar el producto de Axis debe ser un profesional con experiencia.

#### **AVISO**

- El producto de Axis debe utilizarse de acuerdo con las leyes y normativas locales.
- Almacene el producto de Axis en un entorno seco y ventilado.
- Evite la exposición del producto de Axis a choques o a una fuerte presión.
- No instale el producto en soportes, superficies o paredes inestables.
- Utilice solo las herramientas correspondientes cuando instale el producto de Axis. La aplicación de una fuerza excesiva con herramientas eléctricas puede provocar daños en el producto.
- No utilice limpiadores en aerosol, agentes cáusticos ni productos químicos.
- Limpie con un paño limpio humedecido con agua pura.

- Utilice solo accesorios que cumplan con las especificaciones técnicas del producto. Estos accesorios los puede proporcionar Axis o un tercero.
- Utilice solo piezas de repuesto proporcionadas o recomendadas por Axis.
- No intente reparar el producto usted mismo. Póngase en contacto con el servicio de asistencia técnica de Axis o con su distribuidor de Axis para tratar asuntos de reparación.
- No coloque el objetivo de la cámara apuntando hacia el sol u otras fuentes de radiación de alta intensidad ya que podría dañar la cámara.
- La fuente de alimentación se enchufará a una toma de conector instalada cerca del producto y a la que se podrá acceder fácilmente.
- Use una fuente de alimentación limitada (LPS) con una potencia nominal de salida limitada a  $\leq 100$  W o una corriente nominal de salida limitada a  $\leq 5$  A.

### Transporte

#### **AVISO**

- Cuando transporte el producto de Axis, utilice el embalaje original o un equivalente para evitar daños en el producto.

### Batería

Este producto de Axis utiliza una batería de litio CR2032 de 3,0 V como fuente de alimentación del reloj interno en tiempo real. En condiciones normales, esta batería durará un mínimo de cinco años.

Un nivel bajo de batería afectará al funcionamiento del reloj en tiempo real, lo que provocará el restablecimiento de este cada vez que se encienda el producto. Cuando sea necesario sustituir la batería, aparecerá un mensaje de registro en el informe del servidor del producto. Para obtener más información sobre el informe del servidor, consulte las páginas de configuración del producto o póngase en contacto con el servicio de asistencia técnica de Axis.

La batería no debe sustituirse a menos que sea necesario; no obstante, si precisa hacerlo, póngase en contacto con el servicio de asistencia técnica de Axis en [www.axis.com/techsup](http://www.axis.com/techsup) para solicitar ayuda.

Las pilas de botón de litio de 3,0 V contienen 1,2-dimetoxietano; éter dimetilico de etilenglicol (EGDME), n.º CAS 110-71-4.

#### **⚠ADVERTENCIA**

- La sustitución incorrecta de la batería implica riesgo de explosión.
- Sustituya la batería por una batería idéntica u otra batería recomendada por Axis.
- Deseche las baterías usadas de conformidad con la normativa local o las instrucciones del fabricante.

## Cubierta del domo

### **AVISO**

- Preste atención a no arañar, dañar o dejar las huellas en la cubierta del domo, puesto que esto puede provocar una disminución de la calidad de imagen. Si es posible, mantenga el plástico de protección en la cubierta del domo hasta que se complete la instalación.
- No limpie la cubierta del domo si parece a simple vista que está limpia y nunca pule la superficie. Una limpieza excesiva podría dañar la superficie.
- Para realizar un procedimiento de limpieza general de la cubierta del domo se recomienda usar detergente o jabón neutros, sin disolventes y no abrasivos mezclados con agua pura, y un paño suave y limpio. Enjuague bien con agua pura y tibia. Seque con un paño limpio y suave para evitar las manchas de gotas de agua.
- Nunca utilice detergentes abrasivos, gasolina, benceno, acetona, etc. y evite limpiar la cubierta del domo a temperaturas elevadas o en contacto directo con la luz solar.
- Asegúrese de conectar el domo en modo de funcionamiento, si no, el enfoque puede verse afectado.





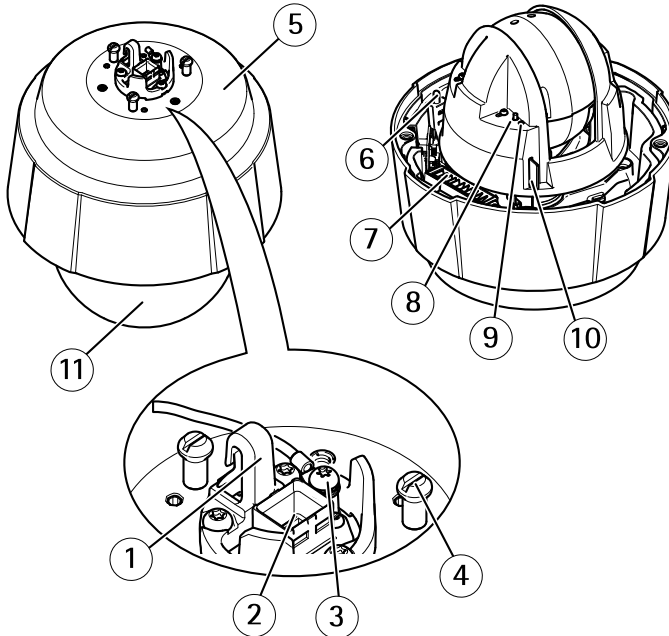
## Contenido del paquete

- Cámara de red domo PTZ AXIS Q6052-E/Q6054-E/Q6055-E
- Cubierta del domo transparente (premontada)
- Parasol, tornillos T20 (3) incluidos
- Conector RJ45 con clasificación IP66
- Midspan High PoE de Axis de 1 puerto (LPS)
- Materiales impresos
  - Guía de instalación (este documento)
  - Etiqueta adicional con el número de serie (2x)
  - Clave de autenticación AVHS

## Información general del hardware

### AVISO

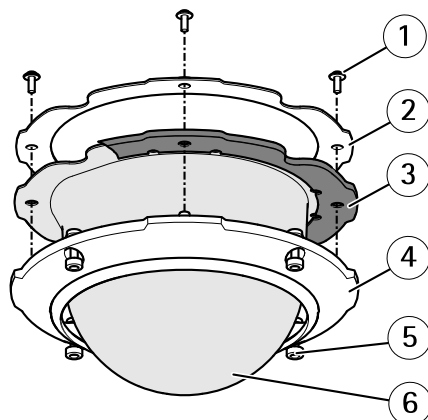
Asegúrese de conectar el domo en modo de funcionamiento, si no, el enfoque puede verse afectado.



1 Gancho para cable de seguridad

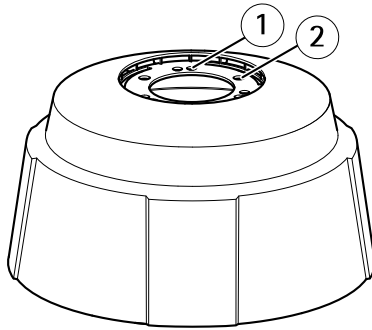
- 2 Conector de red (High PoE)
- 3 Tornillo de tierra
- 4 Soporte de la unidad (3x)
- 5 Número de pieza (N/P) y número de serie (N/S)
- 6 Botón de encendido
- 7 Calefactor
- 8 Botón de control
- 9 Indicador LED de estado
- 10 Ranura para tarjetas SD
- 11 Domo

### Cubierta del domo



- 1 Tornillo del soporte del domo PH2 (4x)
- 2 Soporte del domo
- 3 Junta de goma
- 4 Anillo del domo
- 5 Tornillo del anillo del domo T30 (4x)
- 6 Cubierta del domo

Parasol



- 1 *Orificios para tornillos*
- 2 *Orificios para soportes de la unidad*

### Cómo instalar el producto

Lea todas las instrucciones antes de instalar el producto. Es recomendable realizar algunos pasos de la instalación juntos, ya que en ellos se precisa la extracción de la cubierta del domo.

#### **AVISO**

- El producto se conectará mediante un cable de red blindado (STP). Todos los cables que conecten el producto a la red deberán estar blindados para su uso específico. Asegúrese de que los dispositivos de red estén instalados de conformidad con las instrucciones del fabricante. Para obtener información sobre los requisitos normativos, vea *Electromagnetic Compatibility (EMC) 2*.
- Monte el producto con la cubierta del domo mirando hacia abajo.
- Preste atención para no arañar, dañar o dejar las huellas en la cubierta del domo, puesto que esto puede provocar una disminución de la calidad de imagen. Si es posible, mantenga el plástico de protección en la cubierta del domo hasta que termine la instalación.

### Herramientas recomendadas

- Destornillador Torx® T20
- Destornillador Torx® T30
- Destornillador PH2 (para sustituir la cubierta del domo)
- Alicates de zapata para cable
- Alicates de corte diagonal

### Colocación del parasol (opcional)

El parasol protege la cámara de la luz ultravioleta y ayuda a mantener baja la temperatura del interior de la cámara.

1. Deslice el parasol sobre los soportes de la unidad de la cámara.
2. Fije el parasol utilizando los tornillos proporcionados (T20).

### Sustitución de la cubierta del domo (opcional)

La cubierta del domo transparente premontada se puede sustituir si desea usar una cubierta ahumada o si la cubierta del domo se ha arañado o dañado. Su revendedor de Axis puede proporcionarle las cubiertas del domo ahumadas y las normales de repuesto.

Para conocer la ubicación de los componentes, vea *Información general del hardware en la página 73*.

1. Afloje los tornillos del anillo del domo y extraiga la cubierta del domo.

2. Extraiga los tornillos del soporte del domo, el soporte y la cubierta del domo del anillo.
3. Asegúrese de que la junta de goma se ajusta correctamente a la cubierta del domo.
4. Alinee la protuberancia de la cubierta del domo con los logotipos del anillo del domo.
5. Fije el soporte del domo y la cubierta del domo al anillo de este y apriete los tornillos (par de torsión de 1,2 Nm).
6. Para instalar una tarjeta SD, vea *Instalación de una tarjeta SD (opcional)* en la página 77.
7. Para fijar la cubierta del domo a la cubierta superior, alinee la protuberancia de la cubierta del domo con el calefactor de la unidad de cámara y apriete los tornillos (par de torsión de 1,5 Nm).

## Instalación de una tarjeta SD (opcional)

La instalación de una tarjeta SD es opcional. Puede emplearse una tarjeta SD estándar o de gran capacidad (no incluida) para el almacenamiento local de grabaciones en el producto.

1. Afloje los tornillos del anillo del domo y extraiga la cubierta del domo.
2. Inserte una tarjeta SD en la ranura para tarjetas SD.
3. Para fijar la cubierta del domo a la cubierta superior, alinee la protuberancia de la cubierta del domo con el calefactor de la unidad de cámara y apriete los tornillos (par de torsión de 1,5 Nm).

## Instalación de la cámara en un montaje con escuadra

### ⚠ADVERTENCIA

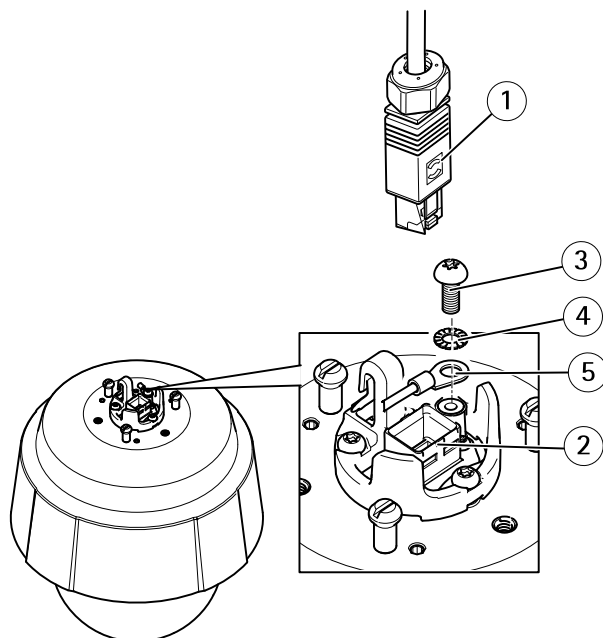
Riesgo de descarga eléctrica. El producto deberá conectarse a tierra mediante un cable de tierra. Asegúrese de que los dos extremos del cable de tierra estén en contacto con sus respectivas superficies de toma de tierra.

### AVISO

Para cumplir con el diseño de la clasificación IP66 de la cámara y mantener la protección IP66, debe usarse el conector RJ45 con clasificación IP66 suministrado. Como alternativa, use el cable RJ45 con clasificación IP66 con el conector montado previamente disponible en su distribuidor de Axis. No retire la protección de plástico del conector de red de la cámara.

Este producto puede montarse tendiendo los cables a través de la pared o sobre esta, o en el techo.

1. Instale la escuadra seleccionada según las instrucciones que la acompañan. Si es necesario perforar, asegúrese de usar brocas, tornillos y tacos adecuados para el material.
2. Fije la cámara con el cable de seguridad suministrado.
3. Pase el cable de red y el cable de tierra por los orificios de la escuadra de montaje. Asegúrese de que el cable de tierra es lo más corto posible a fin de que el tránsito de corriente también lo sea.
4. Afloje el tornillo de toma de tierra y retire la arandela y la zapata para cable.



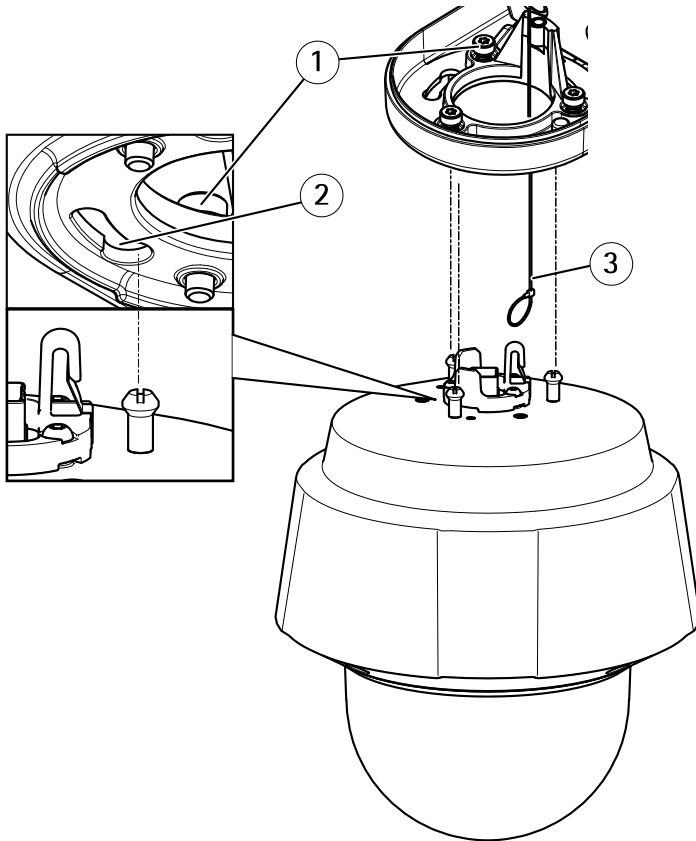
- 1 Conector de red: conector RJ45 con clasificación IP66
- 2 Conector de red y cubierta de conector de red
- 3 Tornillo de toma de tierra T20
- 4 Arandela
- 5 Zapata para cable

5. Conecte el cable de tierra (par de torsión de 1,5 a 2 Nm) a la zapata para cable utilizando unos alicates para zapatas.
6. Vuelva a colocar la zapata para cable y la arandela en sus posiciones originales y apriete el tornillo (par de torsión de 0,5 Nm). Asegúrese de que la zapata para cable esté en contacto con la superficie de toma de tierra.

### AVISO

Asegúrese de no dañar el cable de red cuando lo conecte.

7. Si el conector RJ45 con clasificación IP66 no se ha conectado al cable de red, consulte las instrucciones facilitadas con el conector. Para obtener información sobre cómo montar un conector RJ45 con clasificación IP66, vea *página 81*.
8. Conecte el cable de red.
9. Deslice los soportes de la cámara de red por las ranuras de la escuadra de montaje y gire la unidad de cámara.
10. Fije la cámara de red a la escuadra de montaje apretando los tornillos.



- 1 Tornillo T30 (3)
- 2 Ranura para soporte de unidad (3)
- 3 Cable de seguridad

11. Instale el midspan suministrado siguiendo las instrucciones de la guía de instalación facilitada con el midspan o localícelas en [www.axis.com](http://www.axis.com)

## Acceso al producto

Se recomiendan AXIS IP Utility y AXIS Camera Management como métodos para buscar los productos de Axis en la red y asignarles direcciones IP en Windows®. Ambas aplicaciones son gratuitas y pueden descargarse de [www.axis.com/techsup](http://www.axis.com/techsup)

El producto se puede utilizar con la mayoría de los sistemas operativos y navegadores. Los navegadores recomendados son:

- Internet Explorer® con Windows®
- Safari® con OS X®
- Chrome™ o Firefox® con otros sistemas operativos.

Para obtener más información sobre el uso del producto, consulte el manual del usuario, disponible en [www.axis.com](http://www.axis.com).

## Restablecimiento a la configuración predeterminada de fábrica

### Importante

Hay que tener cuidado al restablecer la configuración predeterminada de fábrica. Todos los valores, incluida la dirección IP, se restablecerán a la configuración predeterminada de fábrica.

### Nota

Las herramientas del software de instalación y gestión están disponibles en las páginas de asistencia técnica en [www.axis.com/techsup](http://www.axis.com/techsup).

Para restablecer el producto a la configuración predeterminada de fábrica:

1. Mantenga pulsado los botones de control y de alimentación durante 15-30 segundos hasta que el indicador LED de estado parpadee en ámbar. Vea *Información general del hardware en la página 73*.
2. Suelte el botón de control pero siga pulsando el botón de alimentación hasta que el indicador LED de estado cambie a verde.
3. Suelte el botón de alimentación y monte el producto.
4. El proceso se ha completado. El producto se ha restablecido a la configuración predeterminada de fábrica. Si no hay ningún servidor DHCP disponible en la red, la dirección IP predeterminada es 192 . 168 . 0 . 90.
5. Utilice las herramientas del software de instalación y gestión para asignar una dirección IP, establecer la contraseña y acceder a la transmisión de vídeo.

También es posible restablecer los parámetros a los valores predeterminados de fábrica mediante la interfaz web. Vaya a **Setup > System Options > Maintenance (Configuración > Opciones del sistema > Mantenimiento)** y haga clic en **Default (Predeterminado)**.



## Más información

- Para consultar la versión más reciente de este documento, vaya a [www.axis.com](http://www.axis.com)
- El manual de usuario se encuentra disponible en [www.axis.com](http://www.axis.com).
- Para comprobar si existe un firmware actualizado disponible para su producto de red, vaya a [www.axis.com/support](http://www.axis.com/support)
- Para consultar seminarios web y cursos en línea que pueden resultarle útiles, vaya a [www.axis.com/academy](http://www.axis.com/academy)

Escanee el código QR para ver un vídeo sobre cómo montar el conector RJ45 con clasificación IP66.



## Accesorios opcionales

Para conocer una lista completa de los accesorios disponibles para este producto, vea [www.axis.com](http://www.axis.com)

## Información de garantía

Para obtener más detalles sobre la garantía del producto Axis y la información relacionada con ella, consulte [www.axis.com/warranty/](http://www.axis.com/warranty/)

## Especificaciones

### Indicadores LED

LED de estado	Indicación
Apagado	Conexión y funcionamiento normal.
Verde	Se muestra fijo durante diez segundos para indicar un funcionamiento normal después de completar el inicio.
Ámbar	Fijo durante el inicio. Parpadea durante la actualización del firmware.
Ámbar/rojo	Parpadea en ámbar/rojo si la conexión a la red no está disponible o se ha perdido.
Rojo	Parpadea en rojo si se produce un error durante la actualización del firmware.

### Botones

#### Botón de control

Para conocer la ubicación del botón de control, vea *Información general del hardware en la página 73*.

El botón de control se utiliza para lo siguiente:

- Restablecer el producto a la configuración predeterminada de fábrica. Consulte *página 80*.
- Conectarse a un servicio AXIS Video Hosting System o al Servicio de DNS dinámico de Internet de AXIS. Para obtener más información sobre estos servicios, consulte el Manual del usuario.

#### Botón de encendido

Mantenga pulsado el botón de encendido para alimentar temporalmente el producto cuando se haya retirado la cubierta del domo. El botón de encendido también se utiliza junto con el botón de control para restablecer la cámara a la configuración predeterminada de fábrica. Vea *página 80*.

## Conectores

### Conector de red

Conector RJ45 (IP66) con alimentación de alta potencia a través de Ethernet (High PoE).

**AVISO**

Utilice el inyector suministrado.

**AVISO**

El producto se conectará mediante un cable de red blindado (STP). Todos los cables que conecten el producto a la red deberán estar blindados para su uso específico. Asegúrese de que los dispositivos de red estén instalados de conformidad con las instrucciones del fabricante. Para obtener información sobre los requisitos normativos, vea *Electromagnetic Compatibility (EMC) 2*.

**AVISO**

Para cumplir con el diseño de la clasificación IP66 de la cámara y mantener la protección IP66, debe usarse el conector RJ45 con clasificación IP66 suministrado. Como alternativa, use el cable RJ45 con clasificación IP66 con el conector montado previamente disponible en su distribuidor de Axis. No retire la protección de plástico del conector de red de la cámara.

### Ranura para tarjetas SD

**AVISO**

- Riesgo de daños en la tarjeta SD. No utilice herramientas afiladas, objetos de metal ni ejerza demasiada fuerza al insertar o extraer la tarjeta SD. Utilice los dedos para insertar o extraer la tarjeta.
- Riesgo de pérdida de datos y grabaciones dañadas. No extraiga la tarjeta SD mientras el producto esté en funcionamiento. Desconecte la corriente o desinstale la tarjeta SD desde las páginas web de producto de Axis antes de retirarla.

Este producto admite tarjetas SD/SDHC/SDXC (no incluidas).

Para conocer las recomendaciones de tarjeta SD, consulte [www.axis.com](http://www.axis.com).

## Condiciones de funcionamiento

El producto de Axis se ha diseñado para su uso en exterior.

Producto	Clasificación	Temperatura	Humedad
AXIS Q6052-E	IEC 60721-4-3 Clase 3K3, 3M3 IEC 60529 IP66	De -50 °C a 50 °C* Temperatura máxima (intermitente): 60 °C	Humedad relativa del 10 al 100 % (con condensación)
AXIS Q6054-E			
AXIS Q6055-E			

## AXIS Q60-E Series

---

\* El control de temperatura Arctic permite a la cámara encenderse a temperaturas tan bajas como -40 °C.

### Condiciones de almacenamiento

Temperatura
De -50 °C a 60 °C

### Consumo

#### **AVISO**

Use una fuente de alimentación limitada (LPS) que cumpla los requisitos de tensión muy baja de seguridad (SELV) con una potencia nominal de salida limitada a  $\leq 100$  W o una corriente nominal de salida limitada a  $\leq 5$  A. Axis recomienda usar el midspan suministrado.

Producto	Midspan High PoE de Axis de 1 puerto (incluido)	Midspan PoE+ de Axis de 1 puerto
AXIS Q6052-E	100–240 V CA, 74 W máx.	IEEE 802.3at, Tipo 2 Clase 4 100–240 V CA, 37 W máx.
AXIS Q6054-E		
AXIS Q6055-E		

## 安全情報

本製品を設置する前に、このインストールガイドをよくお読みください。インストールガイドは、後で参照できるように保管しておいてください。

### 危険レベル

#### ▲危険

回避しない場合、死亡または重傷につながる危険な状態を示します。

#### ▲警告

回避しない場合、死亡または重傷につながるおそれのある危険な状態を示します。

#### ▲注意

回避しない場合、軽傷または中程度の怪我につながるおそれのある危険な状態を示します。

#### 注記

回避しない場合、器物の破損につながるおそれのある状態を示します。

### その他のメッセージレベル

#### 重要

製品を正しく機能させるために不可欠な重要情報を示します。

#### 注意

製品を最大限に活用するために役立つ有用な情報を示します。

## 安全手順

#### ▲警告

- 本製品の設置は、訓練を受けた専門技術者が行ってください。

#### 注記

- 本製品は、お使いになる地域の法律や規制に準拠して使用してください。
- 本製品は乾燥した換気のよい環境に保管してください。
- 本製品に衝撃または強い圧力を加えないでください。
- 本製品を不安定なブラケット、表面、または壁に設置しないでください。
- 本製品を設置する際には、適切な工具のみを使用してください。電動工具を使用して過剰な力をかけると、製品が損傷することがあります。
- 化学薬品、腐食剤、噴霧式クリーナーは使用しないでください。
- 清掃には、きれいな水に浸した清潔な布を使用してください。
- 製品の技術仕様に準拠したアクセサリのみを使用してください。これらのアクセサリは、Axisまたはサードパーティから入手できます。

- Axisが提供または推奨する交換部品のみを使用してください。
- 製品を自分で修理しないでください。修理については、Axisサポートまたは販売代理店にお問い合わせください。
- 太陽などの高輝度の光源にはカメラのレンズを向けないでください。カメラが損傷することがあります。
- 電源は、製品の近くで簡単に手の届く場所にあるコンセントに接続してください。
- 定格出力が100 Wまたは5 A以下の有限電源 (LPS) を使用します。

### 輸送

#### 注記

- 本製品を運搬する際は、製品が損傷しないよう、元の梱包か同等の梱包を使用してください。

### バッテリー

本製品は、内部リアルタイムクロック (RTC) 用電源として、3.0 V CR2032リチウムバッテリーを使用します。このバッテリーは、通常条件下で最低5年間使用できます。

バッテリーが低電力状態になると、内部リアルタイムクロック (RTC) の動作に影響し、電源を入れるたびにRTCがリセットされます。バッテリーの交換が必要になると、製品のサーバーレポートにログメッセージが表示されます。サーバーレポートの詳細については、製品の設定ページを参照するか、Axisサポートまでお問い合わせください。

必要な場合以外はバッテリーを交換しないでください。バッテリーの交換が必要な場合は、Axisサポート ([www.axis.com/techsup](http://www.axis.com/techsup)) までご連絡ください。

リチウムコイン型3.0V電池は、1,2-ジメトキシエタン (エチレングリコールジメチルエーテル (EGDME)、CAS番号110-71-4) を含有しています。

#### 警告

- バッテリーは、正しく交換しないと爆発する危険があります。
- 交換用バッテリーとしては、同一品またはAxisが推奨するバッテリーのみを使用してください。
- 使用済みバッテリーは、地域の規制またはバッテリーメーカーの指示に従って廃棄してください。

### ドームカバー

#### 注記

- 画質低下の原因となるので、ドームカバーに傷や指紋を付けたり、損傷しないように注意してください。可能であれば、設置が完了するまでドームカバーに保護プラスチックを付けたままにしてください。

- 肉眼で見て汚れがない場合は、ドームカバーを掃除しないでください。また、絶対に表面を磨かないでください。過度な清掃により、表面が破損することがあります。
- ドームカバーの通常のクリーニングには、磨耗防止タイプの無溶媒の中性石鹸またはきれいな水で薄めた洗剤と、柔らかい清潔な布を使用することをお勧めします。洗浄後、きれいなぬるま湯でよくすすいでください。水滴の跡が付かないよう、清潔な柔らかい布で拭いて乾かしてください。
- 強力な洗剤、ガソリン、ベンジン、アセトンなどは絶対に使用しないでください。また直射日光が当たる場所や気温が上昇する場所での、ドームカバーの清掃は避けてください。
- ドームは動作モードで取り付けてください。そのようにしない場合、フォーカスに影響する場合があります。





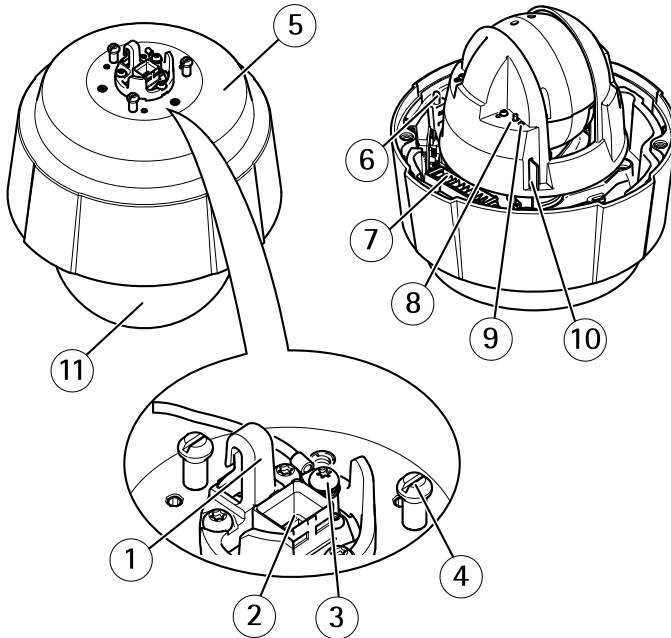
## パッケージの内容

- AXIS Q6052-E/Q6054-E/Q60555-E PTZ ドームネットワークカメラ
- 透明ドームカバー (装着済み)
- サンシールドとT20ネジ (×3)
- RJ45プッシュプルコネクタ (IP66)
- Axis High PoEミッドスパン1ポート (LPS)
- 印刷物
  - インストールガイド (本書)
  - 予備のシリアル番号ラベル (2枚)
  - AVHS認証キー

## ハードウェアの概要

### 注記

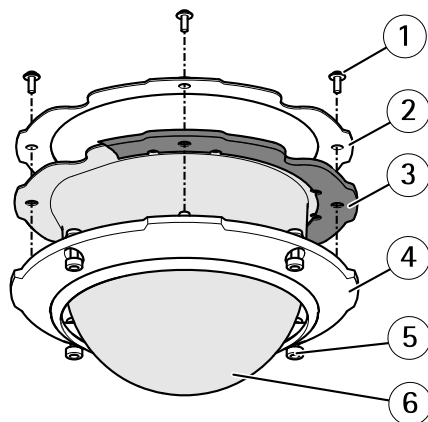
ドームは動作モードで取り付けてください。そのようにしない場合、フォーカスに影響する場合があります。



1 安全ワイヤーフック

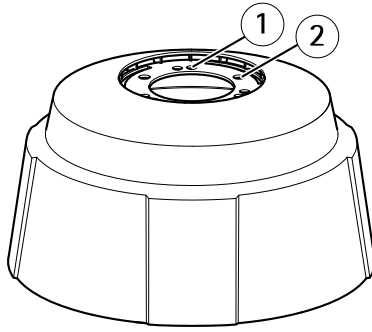
- 2 ネットワークコネクタ (High PoE)
- 3 アース端子ネジ
- 4 ユニットホルダー (×3)
- 5 型番 (P/N) とシリアル番号 (S/N)
- 6 電源ボタン
- 7 ヒーター
- 8 コントロールボタン
- 9 ステータスLEDインジケーター
- 10 SDカードスロット
- 11 ドーム

### ドームカバー



- 1 ドームブラケットネジ PH2 (×4)
- 2 ドームブラケット
- 3 ゴム製ガスケット
- 4 ドームリング
- 5 ドームリングネジ T30 (×4)
- 6 ドームカバー

サンシールド



- 1 ネジ穴
- 2 ユニットホルダー取り付け穴

### 製品の取り付け方法

製品を取り付ける前に、すべての説明に目を通してください。一部の設置手順ではドームカバーを取り外さなければならない場合があるため、読んでおくに役に立ちます。

#### 注記

- 本製品は、シールドネットワークケーブル (STP) を使用して接続してください。本製品は、用途に合ったケーブルを使用してネットワークに接続してください。ネットワーク装置がメーカーの指示どおりに設置されていることを確認します。法的要件については、*Electromagnetic Compatibility (EMC) 2*を参照してください。
- 本製品はドームカバーを下向きにして取り付けてください。
- 画質低下の原因となるので、ドームカバーに傷や指紋を付けたり、損傷しないように注意してください。可能であれば、設置が完了するまでドームカバーに保護プラスチックを付けたままにしてください。

### 推奨ツール

- トルクス®T20ドライバー
- トルクス®T30ドライバー
- ドライバーPH2 (ドームカバー交換用)
- ケーブルシュープライヤー
- ダイアゴナルプライヤー

### サンシールドの取り付け (オプション)

サンシールドを取り付けることにより、カメラを紫外線から保護し、カメラの内部を低温に保つことができます。

1. サンシールドをカメラユニットのユニットホルダーの上からはめ込みます。
2. 付属のネジを使用してサンシールドを固定します (T20)。

### ドームカバーの交換 (オプション)

スモークドームカバーを使用したい場合や、ドームカバーに傷が付いたり、損傷したりした場合、装着済みの透明ドームカバーを交換できます。スモークドームカバーおよび交換用の透明ドームカバーは、Axisの販売代理店から購入できます。

コンポーネントの位置については、89ページの、ハードウェアの概要を参照してください。

1. ドームリングネジをゆるめてドームカバーを取り外します。
2. ドームリングからドームブラケットネジ、ドームブラケットとドームカバーを取り外します。
3. ゴム製ガスケットがドームカバーに正しく取り付けられていることを確認します。
4. ドームカバーの突起とドームリングのロゴタイプの一つの位置を合わせます。
5. ドームリングにドームブラケットとドームカバーを取り付け、ネジ(トルク1.2 Nm)を締めます。
6. SDメモリーカードの装着方法については、93ページの、SDカードの装着(オプション)を参照してください。
7. ドームカバーの突起とカメラユニットのヒーターの位置を合わせ、ネジ(トルク1.5 Nm)を締めて、ドームカバーを上蓋に取り付けます。

## SDカードの装着(オプション)

SDカードは、必要に応じて装着します。標準または大容量のSDカード(非付属品)を使用すると、ローカルに録画を行えます。

1. ドームリングネジをゆるめてドームカバーを取り外します。
2. SDカードをSDカードスロットに挿入します。
3. ドームカバーの突起とカメラユニットのヒーターの位置を合わせ、ネジ(トルク1.5 Nm)を締めて、ドームカバーを上蓋に取り付けます。

## ブラケットへのカメラの取り付け

### ▲警告

感電の危険があります。本製品は、アース線を使用して接地してください。アース線の両端がアース面と接触していることを確認してください。

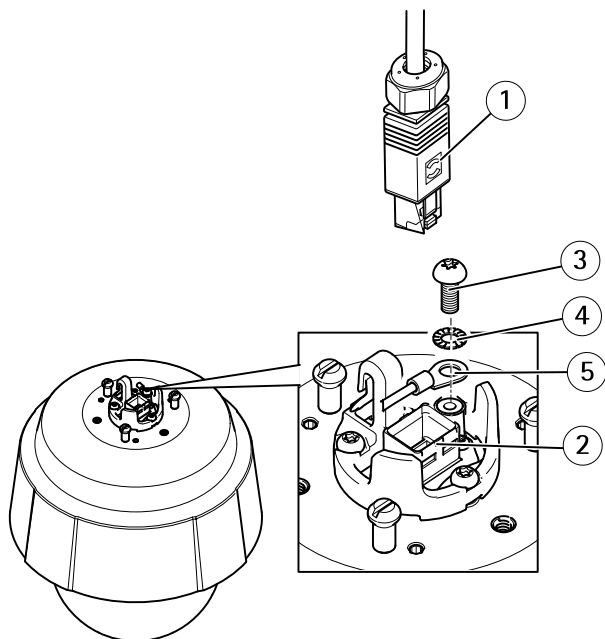
### 注記

カメラのIP66対応設計への準拠およびIP66保護等級の維持のため、必ず付属のRJ45プッシュプルコネクタ(IP66等級)を使用してください。あるいは、RJ45コネクタ付きのIP66等級のケーブルをAxisの販売代理店から購入してください。ネットワークコネクタのプラスチックシールドをカメラから取り外さないでください。

本製品は、配線を壁や天井に沿って、あるいは中を通して設置することができます。

1. ブラケット付属の説明書に従って、ブラケットを取り付けます。ドリルによる穴開けが必要な場合は、素材に適したドリルビット、ネジ、プラグを使用してください。
2. 付属の安全ワイヤーを使用してカメラを固定します。

3. ネットワークケーブルとアース線を取り付け用ブラケットの穴に通します。できるだけ短い電流路にするため、できる限りアース線が短くなるようにしてください。
4. アース端子ネジをゆるめ、ワッシャーとケーブルシューを取り外します。



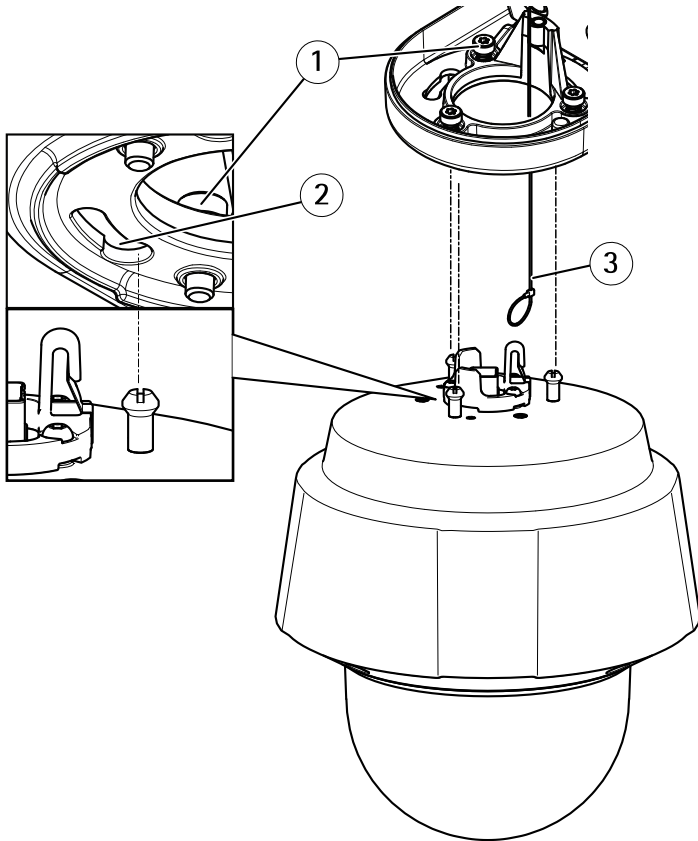
- 1 ネットワークコネクタ - RJ45 プッシュプルコネクタ (IP66)
- 2 ネットワークコネクタとネットワークコネクタシールド
- 3 アース端子ネジ T20
- 4 ワッシャー
- 5 ケーブルシュー

5. ケーブルシュープライヤーを使用して、アース線 (トルク 1.5~2 Nm) をケーブルシューに取り付けます。
6. ケーブルシューとワッシャーを元の位置に戻し、ネジをしっかりと締めます (トルク 0.5 Nm)。ケーブルシューがアース面と接触していることを確認してください。

### 注記

接続時にネットワークケーブルを傷つけないよう、注意してください。

7. RJ45プッシュプルコネクタ (IP66) がネットワークケーブルに接続されていない場合は、コネクタに付属の説明書をご覧ください。IP66保護等級に準拠したRJ45コネクタの組み立て方法については、97ページを参照してください。
8. ネットワークケーブルを接続します。
9. ネットワークカメラのユニットホルダーを取り付け用ブラケットのスロットにはめ込み、カメラユニットを回転させます。
10. ネジを締め、ネットワークカメラを取り付けブラケットに固定します。



- 1 ネジ T30 (×3)
- 2 ユニットホルダー用スロット (×3)
- 3 安全ワイヤー

11. 付属のミッドスパンを設置します。ミッドスパンに同梱のインストールガイド、または [www.axis.com](http://www.axis.com) を参照してください

### 製品へのアクセス

ネットワーク上でAxis製品を検索したり、Windows®でそれにIPアドレスを割り当てるには、AXIS IP UtilityまたはAXIS Camera Managementの使用をお勧めします。いずれのアプリケーションも無料で、[www.axis.com/techsup](http://www.axis.com/techsup)からダウンロードできます

本製品は、ほとんどのオペレーティングシステムとブラウザでご利用いただけます。推奨ブラウザは以下のとおりです。

- Internet Explorer® (Windows®の場合)
- Safari® (OS X®の場合)
- Chrome™またはFirefox® (その他のオペレーティングシステムの場合)

製品の使用の詳細については、Axisのホームページ ([www.axis.com](http://www.axis.com)) でユーザーズマニュアルを参照してください

### 工場出荷時の設定にリセットする

#### 重要

工場出荷時の設定へのリセットは慎重に行ってください。工場出荷時の設定へのリセットを行うと、IPアドレスを含むすべての設定が工場出荷時の値にリセットされます。

#### 注意

[www.axis.com/techsup](http://www.axis.com/techsup)のサポートページに、インストール・管理ソフトウェアツールが用意されています。

本製品を工場出荷時の設定にリセットするには、以下の手順を実行します。

1. ステータスLEDが黄色に点滅するまで、コントロールボタンと電源ボタンを押し続けます (15~30秒間)。「89ページの、ハードウェアの概要」を参照してください。
2. 再起動ボタンだけを離し、コントロールボタンをステータスLEDが緑色に変わるまで押し続けます。
3. 電源ボタンを離し、製品を組み立てます。
4. プロセスは完了です。これで本製品は工場出荷時の設定にリセットされました。ネットワーク上に利用可能なDHCPサーバーがない場合、デフォルトのIPアドレスは192.168.0.90になります。
5. インストール・管理ソフトウェアツールを使用して、IPアドレスの割り当て、パスワードの設定、ビデオストリームへのアクセスを行います。

Webインターフェースを使用して、各種パラメーターを工場出荷時の設定に戻すこともできます。**[Setup - System Options - Maintenance] (設定 - システムオプション - 保守)** を選択し、**[Default] (デフォルト)** をクリックします。



## 関連情報

- 本書の最新バージョンについては、[www.axis.com](http://www.axis.com)にアクセスしてください。
- ユーザーズマニュアルは、[www.axis.com](http://www.axis.com)で入手できます。
- ご使用の製品の新しいファームウェアがリリースされていないかを確認するには、[www.axis.com/support](http://www.axis.com/support)にアクセスしてください。
- 役に立つオンライントレーニングおよびWebセミナーをご用意しております。[www.axis.com/academy](http://www.axis.com/academy)をご覧ください。

QRコードを読み取り、付属のRJ45プッシュプルコネクタ（IP66）の組み立て方法に関するビデオをご覧ください。



## オプションアクセサリ

本製品で利用可能なすべてのアクセサリについては、[www.axis.com](http://www.axis.com)を参照してください。

## 保証情報

Axisの製品保証と関連情報については、[www.axis.com/warranty](http://www.axis.com/warranty)をご覧ください。

### 仕様

#### LEDインジケーター

ステータスLED	説明
無点灯	接続時と正常動作時は、無点灯のままです。
緑	起動後正常に動作する場合、10秒間、緑色に点灯します。
黄	起動時に点灯し、ファームウェアのアップグレード時には点滅します。
黄/赤	ネットワーク接続が利用できないか、失われた場合は、黄色/赤色で点滅します。
赤	ファームウェアのアップグレードに失敗すると、赤色で点滅します。

### ボタン

#### コントロールボタン

コントロールボタンの位置については、89ページの、ハードウェアの概要を参照してください。

コントロールボタンは、以下の用途で使用します。

- 製品を工場出荷時の設定にリセットする。96ページを参照してください。
- AXIS Video Hosting SystemサービスまたはAXIS Internet Dynamic DNSサービスに接続する。これらのサービスの詳細については、ユーザーズマニュアルを参照してください。

#### 電源ボタン

ドームカバーを取り外したとき、製品の電源を一時的に入れるには、電源ボタンを押し続けます。電源ボタンとコントロールボタンを同時に押し、カメラが工場出荷時の設定にリセットされます。詳細については、96ページを参照してください。

## コネクタ

### ネットワークコネクタ

RJ45プッシュプルコネクタ (IP66等級)、High Power over Ethernet (High PoE) 対応。

#### 注記

付属のミッドスパンを使用します。

#### 注記

本製品は、シールドネットワークケーブル (STP) を使用して接続してください。本製品は、用途に合ったケーブルを使用してネットワークに接続してください。ネットワーク装置がメーカーの指示どおりに設置されていることを確認します。法的要件については、*Electromagnetic Compatibility (EMC) 2*を参照してください。

#### 注記

カメラのIP66対応設計への準拠およびIP66保護等級の維持のため、必ず付属のRJ45プッシュプルコネクタ (IP66等級) を使用してください。あるいは、RJ45コネクタ付きのIP66等級のケーブルをAxisの販売代理店から購入してください。ネットワークコネクタのプラスチックシールドをカメラから取り外さないでください。

### SDカードスロット

#### 注記

- SDカード損傷の危険があります。SDカードの挿入と取り外しの際には、鋭利な工具や金属性の物を使用したり、過剰な力をかけないでください。カードの挿入や取り外しは指で行ってください。
- データ損失や録画データ破損の危険があります。本製品の稼働中はSDカードを取り外さないでください。取り外しの前に電源を切るか、Axis製品のWebページからSDカードをマウント解除してください。

本製品は、SD/SDHC/SDXCカードに対応しています (別売)。

推奨するSDカードについては、[www.axis.com](http://www.axis.com)を参照してください

### 動作条件

本製品は屋外対応モデルです。

## AXIS Q60-E Series

製品	等級	温度	湿度
AXIS Q6052-E	IEC 60721-4-3 Class 3K3、 3M3 IEC 60529 IP6 6	-50 ° C ~ 50 ° C  最高温度 (断続的): 60 ° C	10 ~ 100% RH (結露可)
AXIS Q6054-E			
AXIS Q6055-E			

\* 極寒温度管理機能 (Arctic Temperature Control) により、-40°Cの低温下でカメラを起動可能

## 保管条件

温度
-50 °C ~ 60 °C

## 消費電力

### 注記

定格出力が100 W以下または5 A以下の安全特別低電圧 (SELV) に準拠した有限電源 (LPS) を使用してください。Axisは、付属のミッドスパンの使用を推奨しません。

製品	Axis High PoE ミッドスパン 1ポート (付属品)	Axis PoE+ ミッドスパン (1ポート)
AXIS Q6052-E	100 ~ 240 V AC、最大74 W	IEEE 802.3at、Type 2 Class 4 100 ~ 240 V AC、最大37 W
AXIS Q6054-E		
AXIS Q6055-E		

## 安全信息

安装该产品前请仔细阅读该安装指南。请保管好安装指南以供以后查阅。

### 危险等级

#### ▲危险

表示有危险的情形，如果不能避免，将导致死亡或严重的个人伤害。

#### ▲警告

表示有危险的情形，如果不能避免，将导致死亡或严重的个人伤害。

#### ▲小心

表示有危险的情形，如果不能避免，将导致轻微或中度的个人伤害。

#### 注意

表示一种情形，如果不能避免，将导致对财产的损坏。

### 其它消息等级

#### 重要

表示对于产品正常运行必不可少的重要信息。

#### 备注

表示有助于充分利用产品的有用信息。

## 安全说明

#### ▲警告

- 应由接受过相关培训的专业人员进行安讯士产品的安装。

#### 注意

- 使用该安讯士产品必须符合当地法律法规要求。
- 安讯士产品应存放在干燥通风的环境中。
- 应避免对安讯士产品造成冲撞或重压。
- 不得将本产品安装于不稳固的支架、表面或墙面上。
- 安装安讯士产品时，请使用适用工具。使用电动工具时过度用力可能对产品造成损坏。
- 请勿使用化学制剂、腐蚀性制剂或气雾性清洁剂。
- 使用浸有净水的干净抹布进行清洁。
- 所用附件必须符合该产品的技术规格要求。可由安讯士或第三方供应商提供。
- 必须使用安讯士提供或推荐的零件。
- 请勿试图自己修理该产品。维修事务请联系安讯士支持人员或您的安讯士经销商。

- 请勿将热成像摄像机镜头指向阳光或其它高强度辐射源，以免损坏摄像机。
- 电源应该插入安装在产品附近的插座，并易于使用。
- 使用额定输出功率 $\leq 100$ 瓦或额定输出电流 $\leq 5$ 安的有限电源(LPS)。

### 运输

#### 注意

- 安讯士产品运输途中，应使用其原包装或等效包装，以防对产品造成损坏。

### 电池

该安讯士产品使用一块 3.0 V CR2032 锂电池为内部实时时钟 (RTC) 供电。正常情况下，该电池可至少使用 5 年。

电池电量不足将影响 RTC 运行，导致其在每次开机时重置。当电池需要更换时，产品的服务器报告中会显示日志消息。关于服务器报告的更多信息，请参考产品的设置页面或联系安讯士支持人员。

如非需要请勿更换电池！电池必须更换时，请联系安讯士支持人员寻求帮助，网址 [www.axis.com/techsup](http://www.axis.com/techsup)。

3.0 V 锂纽扣电池包含 1,2-二甲氧基乙烷；乙二醇二甲醚 (EGDME)，CAS 号为 110-71-4。

#### 警告

- 电池更换不当将引发爆炸危险。
- 请务必使用相同或安讯士推荐的电池进行更换。
- 请按照当地法规或电池制造商的说明来处理废旧电池。

### 球型罩

#### 注意

- 切勿刮伤或损坏球型罩或在球型罩上留下指纹，因为这样会降低图像质量。请尽可能地将防护塑料保留在球型罩上，直至安装完成。
- 不要清洗外表看起来干净的球型罩，不要磨光表面。过度的清洗可能会损坏表面。
- 对球型罩进行一般清洗时，建议使用非磨蚀性且不含溶剂的中性肥皂或与净水混合的洗涤剂以及柔软、干净的抹布。最好使用纯净的温水进行清洗。使用柔软、干净的抹布擦干，防止水斑。
- 切勿使用烈性洗涤剂、汽油、苯或丙酮等，并避免在阳光直射下或高温环境中清洗球型罩。
- 确保球型罩安装在运行模式下，否则可能影响对焦。

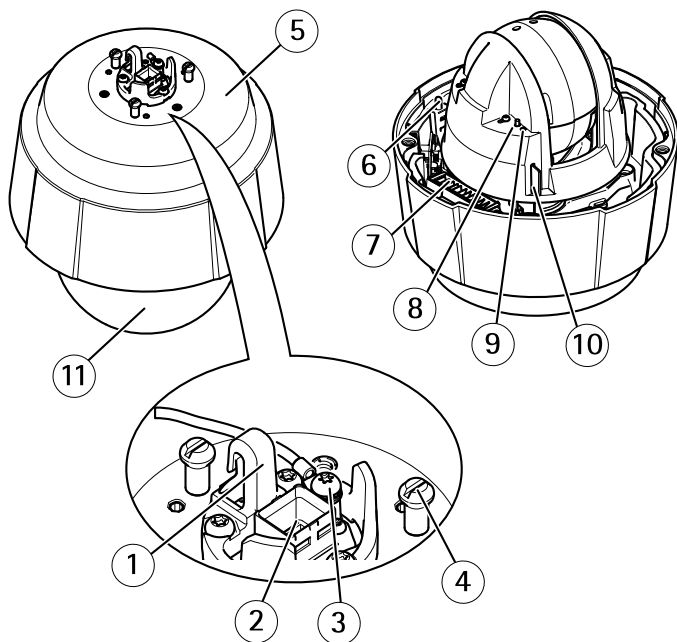
## 包装内容

- AXIS Q6052-E/Q6054-E/Q60555-E PTZ 球型网络摄像机
- 透明球型罩 (预安装)
- 遮阳罩, 包括螺丝 T20 (3x)
- RJ45 推拉式接口 (IP66)
- Axis High PoE 模块, 1 个端口 (LPS)
- 印刷资料
  - 安装指南 (本文档)
  - 随附的序列号标签 (2x)
  - AVHS 身份认证密钥

## 硬件概览

**注意**

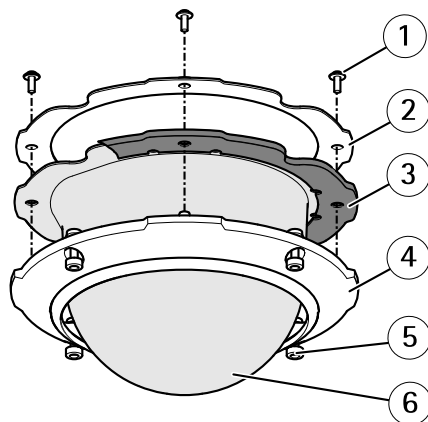
确保球型罩安装在运行模式下, 否则可能影响对焦。



- 1 保险丝挂钩
- 2 网络接口 (高功率 PoE)

- 3 接地螺钉
- 4 单元固定装置 (3x)
- 5 零件编号 (P/N) 和序列号 (S/N)
- 6 电源按钮
- 7 加热器
- 8 控制按钮
- 9 LED 状态指示灯
- 10 SD 卡插槽
- 11 球型罩

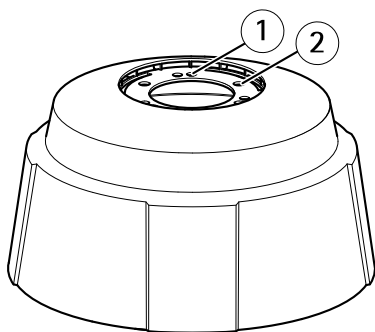
### 球型罩



- 1 球型支架螺丝 PH2 (4x)
- 2 球型支架
- 3 橡胶密封垫
- 4 球型环
- 5 球型环螺丝 T30 (4x)
- 6 球型罩



遮阳罩



- 1 螺丝孔
- 2 单元固定装置孔

### 如何安装该产品

请在安装产品前阅读所有说明。有几项安装步骤要求移去球型罩，因此，建议同时完成这几项步骤。

#### 注意

- 产品应当使用屏蔽网线 (STP) 进行连接。将产品连接至网络的所有线缆必须使用专用线缆。确保网络设备按照制造商的说明进行安装。有关监管要求的信息，请参见 *Electromagnetic Compatibility (EMC) 2*。
- 安装产品，球型罩朝下。
- 切勿刮伤或损坏球型罩或在球型罩上留下指纹，因为这样会降低图像质量。请尽可能地将防护塑料保留在球型罩上，直至安装完成。

### 推荐的工具

- Torx ® 螺丝刀 T20
- Torx® 螺丝刀 T30
- 螺丝刀 PH2 (用于更换球型罩)
- 电缆终端钳子
- 斜口钳 (Diagonal pliers)

### 安装遮阳罩 (可选)

遮阳罩可保护摄像机免于紫外线辐射，并帮助将摄像机内的温度保持在较低水平。

1. 将单元固定装置上的遮阳罩顺滑装于摄像机单元上。
2. 使用随附的螺丝 (T20) 固定遮阳罩。

### 更换球型罩 (可选)

在以下情况下可更换预装的透明球型罩：您希望使用烟雾型球型罩，或球型罩被刮伤或损害。可通过您的安讯士经销商购买烟雾型球型罩和备用的透明球型罩。

有关组件的位置信息，请参见 *硬件概览* 在第103页。

1. 松开球型环螺丝，并移去球型罩。
2. 从球型环中卸下球型支架螺丝、球型支架和球型罩。
3. 请确保橡胶密封垫正确安装在球型罩上。
4. 将球型罩上的凸起与球型环上的一个标识对齐。
5. 将球型支架和球型罩安装至球型环，并拧紧螺丝 (扭矩1.2 纳米)。
6. 如欲安装 SD 卡，请参见 *安装 SD 卡 (可选)* 在第107页。

7. 如欲将球型罩连接至顶盖，请将球型罩上的凸起与摄像机单元上的加热器对齐，并拧紧螺丝（扭矩1.5 纳米）。

## 安装 SD 卡（可选）

可选择安装 SD 卡。标准或大容量 SD 卡（不含）可用于在产品中存储本地录像。

1. 松开球型环螺丝，并移去球型罩。
2. 将 SD 卡插入 SD 卡插槽。
3. 如欲将球型罩连接至顶盖，请将球型罩上的凸起与摄像机单元上的加热器对齐，并拧紧螺丝（扭矩1.5 纳米）。

## 将摄像机安装在安装支架上

### 警告

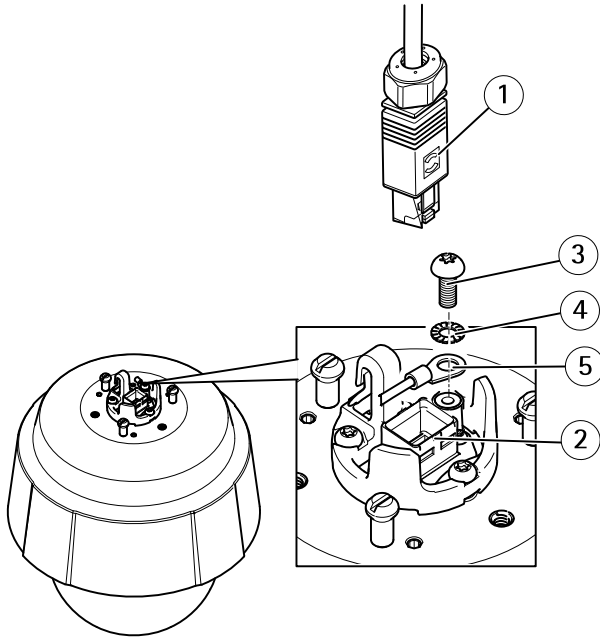
电击风险。应使用地线对产品接地。请确保地线两端与各自的接地表面有效接触。

### 注意

如欲符合摄像机的 IP66 级设计标准并保持 IP66 防护，应使用随附的 RJ45 推拉式接口 (IP66)。或者，使用带有预安装接口（由您的安讯士经销商提供）的 RJ45 IP66 级线缆。请勿将塑料网络接口护罩从摄像机移除。

可将线缆穿过或沿墙壁/屋顶布置，安装该产品。

1. 根据支架随附的说明选择安装支架。如需要钻孔，请确定使用与材料相匹配的钻头、螺丝和螺丝插头。
2. 确保摄像机使用所提供的保险丝。
3. 将网线和地线穿过安装支架中的孔。确保接地线尽可能短，以保持最短的电流路径。
4. 松开接地螺丝，拆下垫圈和线缆终端（cable shoe）。



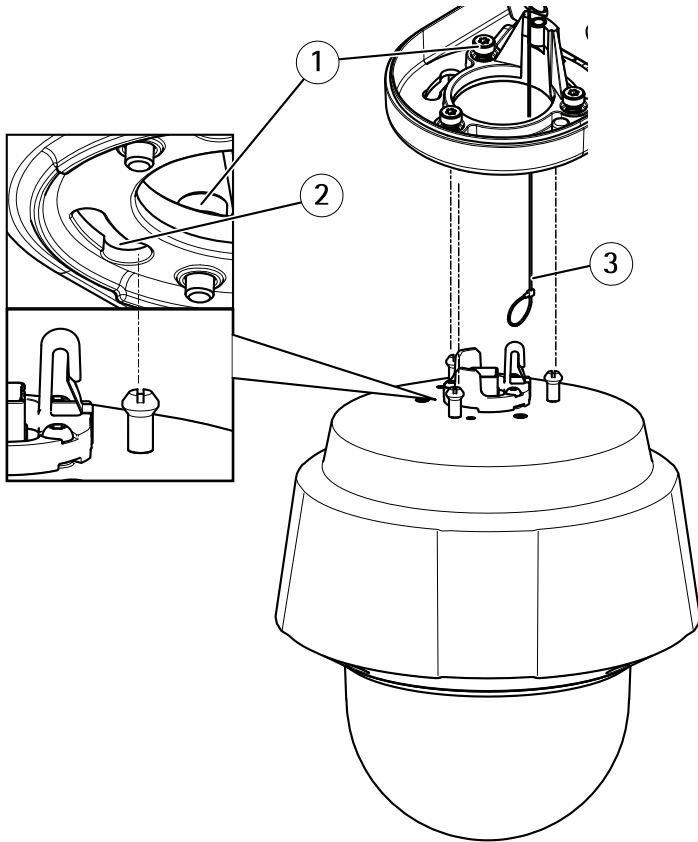
- 1 网络接口-RJ45 推拉式接口 (IP66)
- 2 网络接口和网络接口护罩
- 3 接地螺钉 T20
- 4 垫圈
- 5 线缆终端

5. 使用线缆终端钳子将接地线（扭矩 1.5-2 纳米）连接至线缆终端。
6. 将线缆终端和垫圈放回原始位置，拧紧螺丝（扭矩 0.5 纳米）。请确保线缆终端与接地表面有效接触。

## 注意

连接时注意不要损坏网线。

7. 如果随附的 RJ45 推拉式接口 (IP66) 未连接至网线，请参见接口随附的说明。有关如何安装 IP66 级 RJ45 接口的信息，请参见第 111 页。
8. 连接网线。
9. 将网络摄像机的单元固定装置推入安装支架中的插槽，并旋转摄像机单元。
10. 拧紧螺丝，将网络摄像机固定至安装支架。



- 1 螺丝 T30 (3x)
- 2 单元固定装置插槽 (3x)
- 3 保险丝

11. 安装随附的 PoE 模块时请参考 PoE 模块随附的安装指南，或访问 [www.axis.com](http://www.axis.com) 查找安装指南。

## 访问产品

AXIS IP Utility 和 AXIS Camera Management 推荐用于查找网络上的安讯士产品，并在 Windows 中为它们分配 IP 地址®。两款应用都免费提供，并可在下列网址中下载：[www.axis.com/techsup](http://www.axis.com/techsup)

该产品可配合多数操作系统和浏览器使用。我们推荐使用下列浏览器：

- Internet Explorer® ( 搭配 Windows )®
- Safari® ( 搭配 OS X )®
- Chrome™ 或 Firefox® ( 搭配其他操作系统 )。

有关使用该产品的更多信息，请参见用户手册，网址：[www.axis.com](http://www.axis.com)

## 重置为出厂默认设置

### 重要

重置为出厂默认设置应慎用。重置为出厂默认设置将把所有设置重置为出厂默认值，包括 IP 地址。

### 备注

安装和管理软件工具可通过以下网站中的支持页面获取：[www.axis.com/techsup](http://www.axis.com/techsup)

要将产品重置为出厂默认设置，请执行以下操作：

1. 一直按住控制按钮，直至 LED 状态指示灯闪烁淡黄色（这可能需要 15–30 秒钟的时间）。请参见 [硬件概览](#) 在第 103 页。
2. 松开控制按钮，但继续按住电源按钮，直至 LED 状态指示灯变成绿色。
3. 松开电源按钮，并对产品进行装配。
4. 此过程现已完成。该产品已重置为出厂时的默认设置。如果网络上没有可用的 DHCP 服务器，则默认的 IP 地址为 192.168.0.90。
5. 借助安装和管理软件工具，分配 IP 地址，设置密码及访问视频流。

也可通过 Web 界面将参数重置为出厂默认设置。访问 **设置 > 系统选项 > 维护**，并点击 **默认**。

## 更多信息

- 有关本文档的最新版本，请访问 [www.axis.com](http://www.axis.com)
- 如欲查阅用户手册，请访问 [www.axis.com](http://www.axis.com)
- 检查是否有可供您产品使用的更新固件请访问 [www.axis.com/support](http://www.axis.com/support)
- 有关有用的在线培训和网络研讨会的信息请访问 [www.axis.com/academy](http://www.axis.com/academy)

扫描 QR 码，观看介绍随附 RJ45 推拉式接口 (IP66) 安装方式的视频。



## 可选附件

如欲了解该产品的所有可用附件，请访问 [www.axis.com](http://www.axis.com)

## 保修信息

有关安讯士产品保修的信息及与之相关的信息，请访问 [www.axis.com/warranty/](http://www.axis.com/warranty/)

## 规格

### LED 指示灯

LED 状态指示灯	指示
不亮	连接且工作正常。
绿色	启动后绿灯常亮 10 秒表示工作正常。
淡黄色	启动时常亮。在固件升级过程中闪烁。
淡黄色/红色	网络连接不可用或丢失时闪烁黄色/红色。
红色	固件升级故障时闪红色光。

## 按钮

### 控制按钮

有关控制按钮的位置信息，请参见 *硬件概览* 在第 103 页。

控制按钮用于：

- 将产品重置为出厂默认设置。参见 第 110 页。
- 连接至安讯士视频托管系统服务或安讯士互联网动态 DNS 服务。有关这些服务的更多信息，请参见用户手册。

### 电源按钮

拆下球型罩后，按住电源按钮暂时为产品供电。电源按钮还可与控制按钮一起使用，将摄像机重置为出厂默认设置。参见 第 110 页。

## 接口

### 网络接口

RJ45 推拉式接口 (IP66)，支持高功率以太网供电 (高功率 PoE)。

#### **注意**

使用随附的 PoE 模块。



**注意**

产品应当使用屏蔽网线 (STP) 进行连接。将产品连接至网络的所有线缆必须使用专用线缆。确保网络设备按照制造商的说明进行安装。有关监管要求的信息，请参见 *Electromagnetic Compatibility (EMC) 2*。

**注意**

如欲符合摄像机的 IP66 级设计标准并保持 IP66 防护，应使用随附的 RJ45 推拉式接口 (IP66)。或者，使用带有预安装接口 (由您的安讯士经销商提供) 的 RJ45 IP66 级线缆。请勿将塑料网络接口护罩从摄像机移除。

## SD 卡插槽

**注意**

- SD 卡损坏的风险。插入或移除 SD 卡时，切勿使用尖锐工具、金属物体或用力过度。使用手指插入和移除卡。
- 数据丢失和录制内容损坏风险。产品运行时，请勿移除 SD 卡。在移除之前，断开电源或从安讯士产品网页中卸载 SD 卡。

该产品支持 SD/SDHC/SDXC 卡 (不含)。

有关 SD 卡建议的更多信息，请访问 [www.axis.com](http://www.axis.com)

## 工作条件

本安讯士产品专供室外使用。

产品	分类	温度	潮湿
AXIS Q6052-E	IEC 60721-4-3 Class 3K3、3M3 IEC 60529 IP66	-50 ° C 至 50 ° C (-58 ° F 至 122 ° F)* 最大温度 (间歇): 60 ° C (140 ° F)	10-100% 相对湿度 (冷凝)
AXIS Q6054-E			
AXIS Q6055-E			

\* “极地低温控制” 功能支持摄像机在低至 -40 ° C (-40 ° F) 的温度下启动

## 存放条件

温度
-50 ° C 至 60 ° C (-58 ° F 至 140 ° F)

## 功耗

### 注意

使用符合安全超低压（SELV）规定，且额定输出功率  $\leq 100\text{ W}$  或额定输出电流  $\leq 5\text{ A}$  的有限电源（LPS）。安讯士推荐使用提供的 PoE 模块。

产品	Axis High PoE 模块 (含)，1-个端口	AXIS PoE+ PoE 模块，1-个 端口
AXIS Q6052-E	100-240 V AC，最大功 率 74 W	符合 IEEE 802.3at 2 型 4 类标准 100-240 V AC，最大功率 37 W
AXIS Q6054-E		
AXIS Q6055-E		



