

### Overview

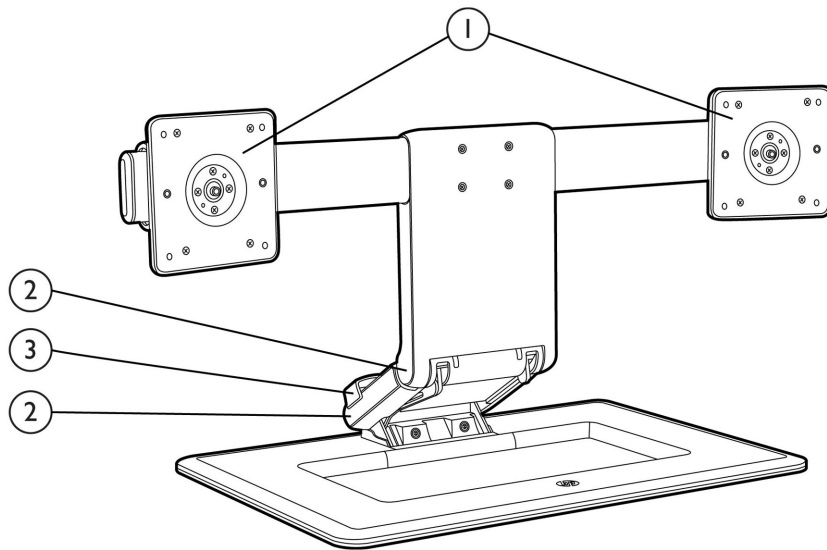
### Introduction

HP Notebook Stands include a range of convenient solutions and space-saving designs that easily connect to your HP Business Notebook and enable easy viewing and an ideal desktop computing environment.

### Models

|  |         |
|--|---------|
| HP Adjustable Dual Display Stand             | AW664AA |
| HP Display and Notebook II Stand <b>New!</b> | E8G00AA |
| HP Display and Notebook Stand                | AW662AA |
| HP Dual Hinge II Notebook Stand <b>New!</b>  | E8F99AA |
| HP Dual Hinge Notebook Stand                 | AW661AA |
| HP Adjustable Display Stand                  | AW663AA |
| HP LCD Monitor Stand                         | QM196AA |
| HP Single Monitor Arm                        | BT861AA |

### HP Adjustable Dual Display Stand (AW664AA)



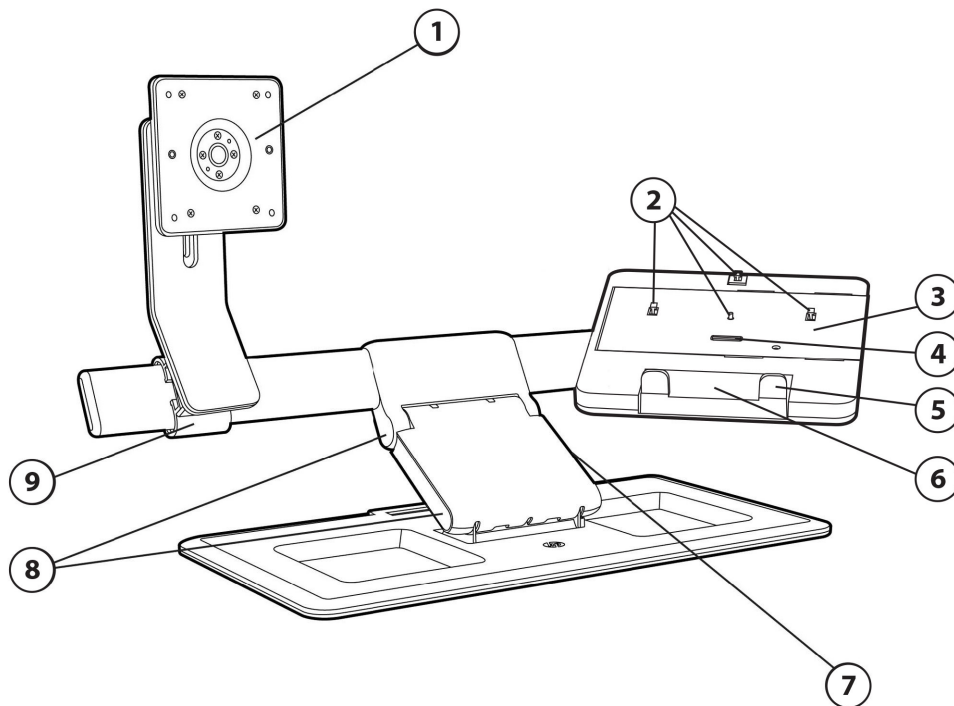
1. VESA display mounts
2. Dual-hinged

3. Cable management channel

### Overview

|  | Rev B  | Rev A   |
|--|--|---|
| <b>Dimensions (H x W x D)</b>            | 15.7 x 19.7 x 14.0 in<br>(40.0 x 50.0 x 35.5 cm)   | 15.7 x 19.7 x 14.0 in<br>(40.0 x 50.0 x 35.5 cm)          |
| <b>Product weight</b>                    | 12.3 lb (5.6 kg)   | 12.3 lb (5.6 kg)  |
| <b>Maximum individual monitor weight</b> | 5.0-13.2 lbs. ( 2.3-6.0 Kg)  | 7.28-15.4 lbs. (3.3-7.0 kg)                               |
| <b>Compatible displays</b>               | HP LCD display up to 24" with 100mm or 75mm VESA mounting pattern  | HP LCD display up to 24" with 100mm VESA mounting pattern |
| <b>Dual-hinged display stand</b>         | The dual-hinged, smooth-motion display stand allows for greater distance, height, and tilt adjustment for maximum comfort.   |   |
| <b>Cable management channels</b>         | Organizes and hides accessory cables in a central location to help reduce clutter when connecting multiple devices.  |   |
| <b>Service and support</b>               | One-year limited warranty. Additional support is available 24 hours a day, seven days a week by phone as well as online support forums.<br><b>NOTE:</b> Certain restrictions and exclusions apply. Consult the HP Customer Support Center for details. |   |
| <b>Kit contents</b>                      | Base, riser, bow, two(2) sliding monitor brackets, hardware kit and documentation  |   |

### HP Display and Notebook II Stand (E8G00AA)



1. VESA display mounts
2. Docking posts
3. Convertible platform
4. Eject button
5. Notebook Platform
6. Cable management channel (not shown)
7. Dual-hinged
8. Horizontal adjustment bracket
9. Horizontal adjustment bracket

### Overview

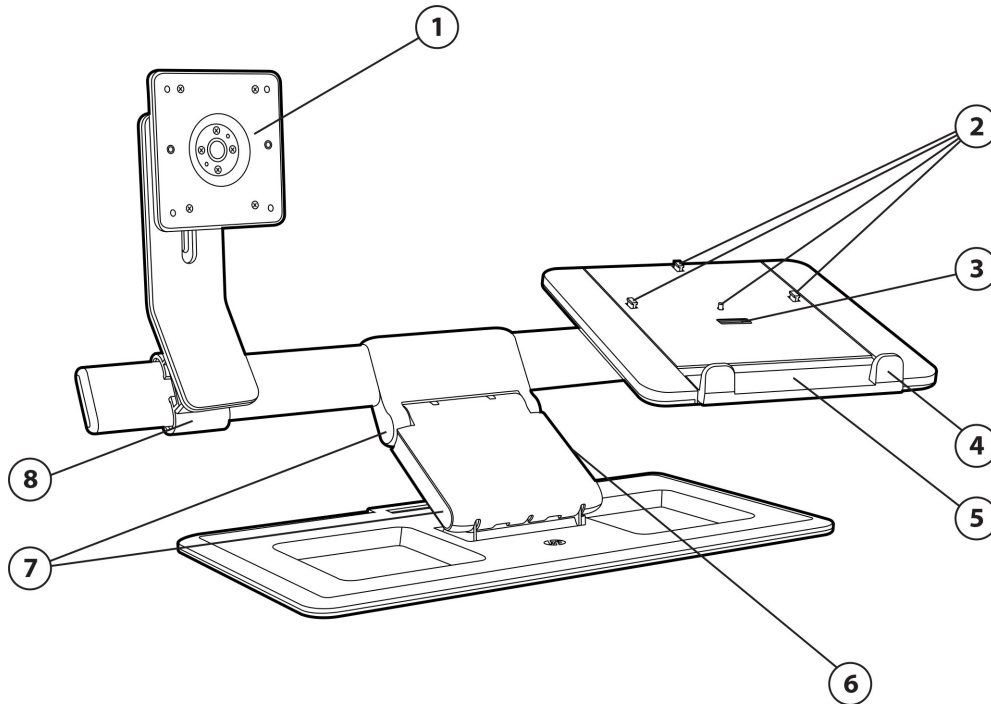
#### 5. Adjustable shelf

|                                       |  |
|---------------------------------------|--|
| <b>Dimensions (H x W x D)</b>         | 18.9 x 27.2 x 18.5.0 in (48.0 x 69.0 x 47.0 cm)  |
| <b>Product weight</b>                 | 14.9 lbs. (6.8 kg)   |
| <b>Weight capacity</b>                | 8.8-26.9 lbs. (4.0-12.2kg)<br>Display up to 13.2 lbs. (6.0 kg); notebooks 3.7-7.7 lbs. (1.7-3.5 kg); docks up to 6 lbs. (2.7kg)  |
| <b>Maximum monitor weight</b>         | 5.0-13.2 lbs. ( 2.3-6.0 Kg)  |
| <b>Compatible displays</b>            | HP LCD display up to 24" with 100mm or 75mm VESA mounting pattern  |
| <b>Notebooks supported</b>            | 12-17.3"   |
| <b>Docks supported</b>                | HP 90W/230W Docking Stations, 120w/230W Advanced Docking Stations, UltraSlim Docks, 2570p Docking Station.   |
| <b>Dual-hinged display stand</b>      | The dual-hinged, smooth-motion display stand allows for greater distance, height, and tilt adjustment for maximum comfort.   |
| <b>Horizontal adjustment bracket</b>  | Adjusts the horizontal position of your display.   |
| <b>Adjustable shelf</b>               | Adjusts for different-sized notebook PCs.  |
| <b>Docking posts</b>                  | Aligns and secures the docking station to the stand.   |
| <b>Removable convertible platform</b> | Three-way convertible platform allows user to switch between HP 90W/230W Docking Stations, 120w/230W Advanced Docking Stations, UltraSlim Docks, 2570p Docking Station or no dock configuration  |
| <b>Cable management channels</b>      | Organizes and hides accessory cables in a central location to help reduce clutter when connecting multiple devices.  |
| <b>Service and support</b>            | One-year limited warranty. Additional support is available 24 hours a day, seven days a week by phone as well as online support forums.<br><b>NOTE:</b> <a href="#">Certain restrictions and exclusions apply. Consult the HP Customer Support Center for details.</a> |
| <b>Kit contents</b>                   | Stand, notebook platform, one height-adjustable sliding monitor bracket, hardware kit and documentation.<br>Ships assembled in the Basic/Advanced Dock configuration   |

---

### HP Display and Notebook Stand (AW662AA)

### Overview



- 1. VESA display mounts
- 2. Docking posts
- 3. Eject button
- 4. Adjustable shelf

- 5. Notebook platform
- 6. Cable management channel (not shown)
- 7. Dual-hinged
- 8. Horizontal adjustment bracket

|                                      |   |
|--------------------------------------|---|
| <b>Dimensions (H x W x D)</b>        | 18.9 x 27.2 x 18.5 in (48.0 x 69.0 x 47.0 cm)   |
| <b>Product weight</b>                | 14.6 lbs. (6.6 kg)  |
| <b>Weight capacity</b>               | 11.0-29.1 lbs. (5.0-13.2 kg)<br>Display up to 14.3 lbs. (6.5 kg); notebooks 3.7-7.7 lbs. (1.7-3.5 kg); docks up to 6 lbs. (2.7kg) |
| <b>Maximum monitor weight</b>        | 7.28-15.4 lbs. (3.3-7.0 kg)   |
| <b>Compatible displays</b>           | HP LCD display up to 24" with 100mm VESA mounting pattern   |
| <b>Notebooks supported</b>           | 12-17.3"  |
| <b>Docks supported</b>               | HP 90W/230W Docking Stations, 120w/230W Advanced Docking Stations, 2570p Docking Station  |
| <b>Dual-hinged display stand</b>     | The dual-hinged, smooth-motion display stand allows for greater distance, height, and tilt adjustment for maximum comfort.        |
| <b>Horizontal adjustment bracket</b> | Adjusts the horizontal position of your display.  |
| <b>Adjustable shelf</b>              | Adjusts for different-sized notebook PCs.   |
| <b>Docking posts</b>                 | Aligns and secures the docking station to the stand.  |
| <b>Cable management channels</b>     | Organizes and hides accessory cables in a central location to help reduce clutter when connecting multiple devices.               |

### Overview

#### Service and support

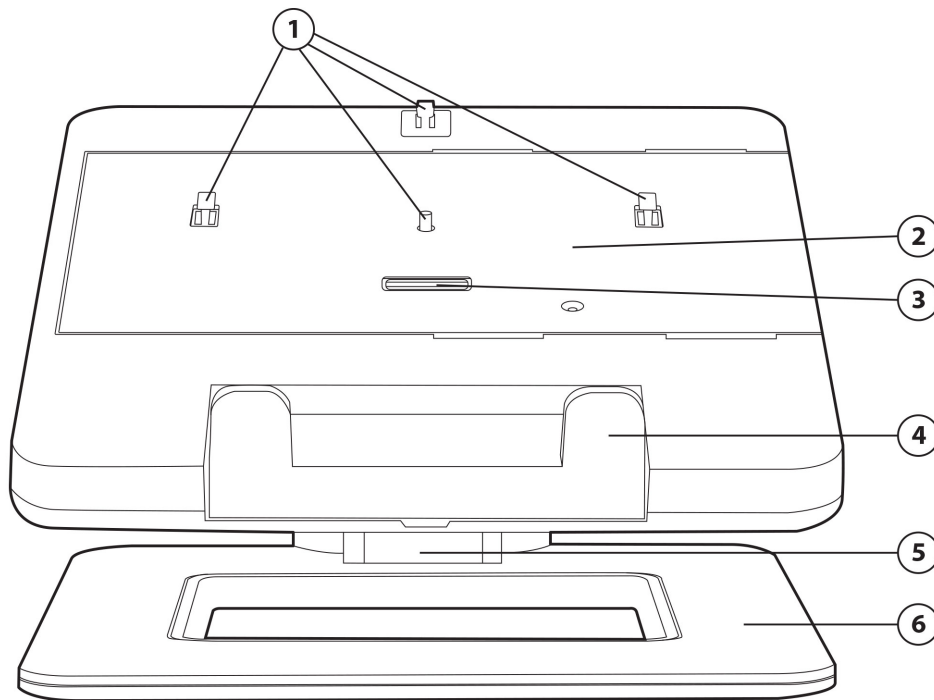
One-year limited warranty. Additional support is available 24 hours a day, seven days a week by phone as well as online support forums.

**NOTE:** Certain restrictions and exclusions apply. Consult the [HP Customer Support Center](#) for details.

#### Kit contents

Stand, notebook platform, universal docking notebook platform cover, one height-adjustable sliding monitor bracket, hardware kit and documentation

### HP Dual Hinge II Notebook Stand (E8F99AA)



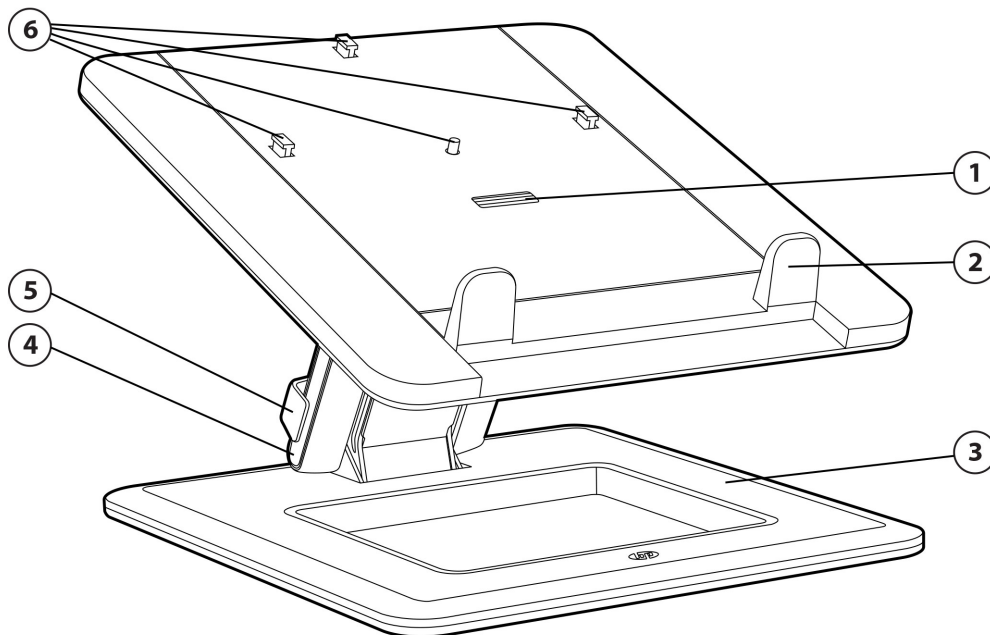
1. Docking posts
2. Convertible platform
3. Eject button

4. Adjustable shelf
5. Dual-hinged
6. Base

### Overview

|                                       |  |
|---------------------------------------|--|
| <b>Dimensions (H x W x D)</b>         | 8.7 x 11.8 x 14.2 in (22.0 x 30.0 x 36.0 cm)   |
| <b>Product weight</b>                 | 7.9 lbs. (3.6 kg)  |
| <b>Weight capacity</b>                | 3.7-13.6 lbs. (1.7-6.2 kg) Notebook or notebook and docking station  |
| <b>Notebooks supported</b>            | 12-17.3 in   |
| <b>Docks supported</b>                | HP 90W/230W Docking Stations, 120w/230W Advanced Docking Stations, UltraSlim Docks, 2570p Docking Station  |
| <b>Dual-hinged display stand</b>      | The dual-hinged, smooth-motion display stand allows for greater distance, height, and tilt adjustment for maximum comfort.   |
| <b>Docking posts</b>                  | Aligns and secures the docking station to the stand and helps secure a connected docking station.  |
| <b>Removable convertible platform</b> | Three-way convertible platform allows user to switch between HP 90W/230W Docking Stations, 120w/230W Advanced Docking Stations, UltraSlim Docks, 2570p Docking Station or no dock configuration  |
| <b>Cable management channels</b>      | Organizes and hides accessory cables in a central location to help reduce clutter when connecting multiple devices.  |
| <b>Service and support</b>            | One-year limited warranty. Additional support is available 24 hours a day, seven days a week by phone as well as online support forums.<br><b>NOTE:</b> Certain restrictions and exclusions apply. Consult the HP Customer Support Center for details. |
| <b>Kit contents</b>                   | HP Dual Hinge II Notebook Stand and documentation.<br>Ships fully assembled in the Basic/Advanced Dock configuration   |

### HP Dual Hinge Notebook Stand (AW661AA)



1. Eject button
2. Adjustable shelf
3. Docking station
4. Dual-hinged
5. Cable management channel
6. Docking posts

### Overview

#### 3. Base

#### 6. Docking posts

#### Dimensions (H x W x D)

8.7 x 11.8 x 14.2 in (22.0 x 30.0 x 36.0 cm)

#### Product weight

7.9 lbs. (3.6 kg)

#### Weight capacity

3.7-13.6 lbs. (1.7-6.2 kg) Notebook or notebook and docking station

#### Notebooks supported

12-17.3 in

#### Docks supported

HP 90W/230W Docking Stations, 120w/230W Advanced Docking Stations, 2570p Docking Station.

#### Dual-hinged display stand

The dual-hinged, smooth-motion display stand allows for greater distance, height, and tilt adjustment for maximum comfort.

#### Docking posts

Aligns and secures the docking station to the stand and helps secure a connected docking station.

#### Adjustable shelf

Adjusts for different-sized notebook PCs.

#### Cable management channels

Organizes and hides accessory cables in a central location to help reduce clutter when connecting multiple devices.

#### Service and support

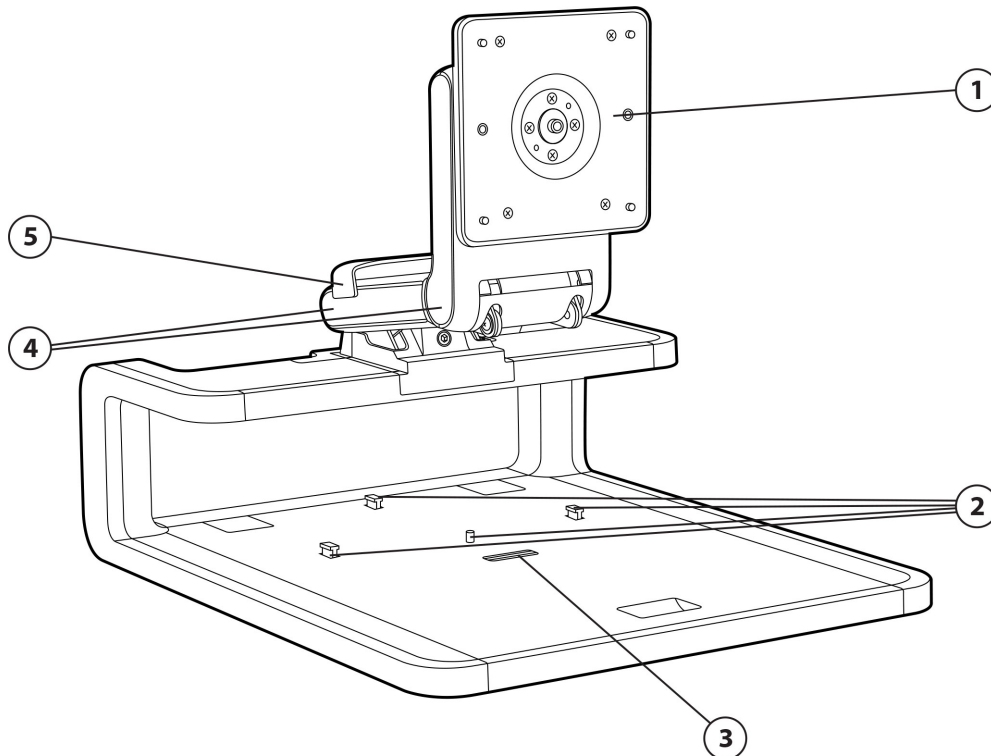
One-year limited warranty. Additional support is available 24 hours a day, seven days a week by phone as well as online support forums.

**NOTE:** Certain restrictions and exclusions apply. Consult the [HP Customer Support Center](#) for details.

#### Kit contents

HP Dual Hinge Notebook Stand and documentation.  
Ships fully assembled

### HP Adjustable Display Stand (AW663AA)



1. VESA display mount
2. Docking posts

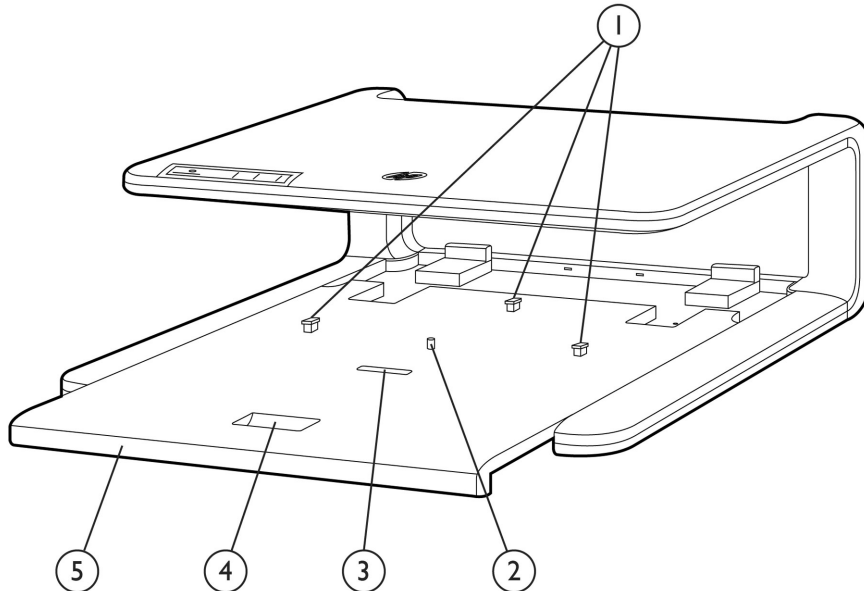
4. Dual-hinged
5. Cable management channel

### Overview

#### 3. Eject button

|                                  | Rev B  | Rev A   |
|----------------------------------|--|---|
| <b>Dimensions (H x W x D)</b>    | 16.9 x 13.8 x 15.7 in<br>(43.0 x 35.0 x 40.0 cm)   | 16.9 x 13.8 x 15.7 in<br>(43.0 x 35.0 x 40.0 cm)          |
| <b>Product weight</b>            | 8.4 lbs. (3.8 kg)  | 8.4 lbs. (3.8 kg)   |
| <b>Maximum monitor weight</b>    | 5.0-13.2 lbs. ( 2.3-6.0 Kg)  | 7.28-14.3 lbs. (3.3-7.0 kg)                               |
| <b>Compatible displays</b>       | HP LCD display up to 24" with 100mm or 75mm VESA mounting pattern  | HP LCD display up to 24" with 100mm VESA mounting pattern |
| <b>Notebook supported</b>        | 12-17.3 in   |   |
| <b>Docks supported</b>           | HP 90W/230W Docking Stations, 120w/230W Advanced Docking Stations, UltraSlim Docks, 2570p Docking Station.   |   |
| <b>Dual-hinged display stand</b> | The dual-hinged, smooth-motion display stand allows for greater distance, height, and tilt adjustment for maximum comfort.   |   |
| <b>Docking posts</b>             | Aligns and secures the docking station to the stand and helps secure a connected docking station.  |   |
| <b>Cable management channels</b> | Organizes and hides accessory cables in a central location to help reduce clutter when connecting multiple devices.  |   |
| <b>Service and support</b>       | One-year limited warranty. Additional support is available 24 hours a day, seven days a week by phone as well as online support forums.<br><b>NOTE:</b> Certain restrictions and exclusions apply. Consult the HP Customer Support Center for details. |   |
| <b>Kit contents</b>              | Stand, riser, monitor bracket, hardware, kit and documentation   |   |

HP LCD Monitor Stand (QM196AA)



1. Docking posts
2. Docking release post
3. Eject button

4. Sliding tray button
5. Sliding tray



### Overview

|                                   |   |
|-----------------------------------|---|
| <b>Dimensions (H x W x D)</b>     | Upper platform : 13.8" W x 10.8" D (35.0 x 27.5 cm)<br>Notebook platform: 16" D x 5" H x 13.8" W (40.7 x 12.7 x 35.1 cm)  |
| <b>Product weight</b>             | 6.8 lbs. (3.1 kg)   |
| <b>Monitor supported</b>          | LCD Display with base are not exceeding 12.4" W x 9.8" D (3.15 x 25.0 cm), not weighting more than 25 lbs. (11.3kg)   |
| <b>Notebooks supported</b>        | 12-17.3 in  |
| <b>Docks supported</b>            | HP 90W/230W Docking Stations, 120w/230W Advanced Docking Stations, UltraSlim Docks, 2570p Docking Station.  |
| <b>Power button</b>               | Turns on power to the system. The light is turned on when the docked computer is turned on.   |
| <b>AC power light</b>             | Lights up when the docking station is connected to the AC power.  |
| <b>Dock light</b>                 | Lights up when the computer is successfully docked to the docking station.  |
| <b>MultiBay II activity light</b> | Indicates MultiBay II drive activity (on Advanced Docking Station only).  |
| <b>Docking posts</b>              | Aligns and secures the docking station to the stand.  |
| <b>Docking release post</b>       | Secures a connected docking station.  |
| <b>Release button</b>             | Releases the docking station from the stand.  |
| <b>Tray slide button</b>          | Adjusts the position of the docking station and notebook PC.  |
| <b>Docking station cable</b>      | Connects the docking station so you can use the monitor stand power button and activity light.  |
| <b>Service and support</b>        | One-year limited warranty. Additional support is available 24 hours a day, seven days a week by phone as well as online support forums.<br><b>NOTE:</b> Certain restrictions and exclusions apply. Consult the <a href="#">HP Customer Support Center</a> for details.<br>Power button - (not supported on UltraSlim Docks)<br>AC power light - add at the end (not supported on UltraSlim Docks)<br>Dock light - add at the end (not supported on UltraSlim Docks)<br>Docking Station cable (not supported on UltraSlim Docks) |
| <b>Kit contents</b>               | HP LCD Monitor Stand and documentation  |

---

### HP Single Monitor Arm (BT861AA)

|                               |   |
|-------------------------------|---|
| <b>Dimensions (H x W x D)</b> | N/A   |
| <b>Product weight</b>         | 7.91 lbs. (3.59 kg)   |
| <b>Maximum monitor weight</b> | 7-20 lbs. (3.1-9.1 kg)  |
| <b>Compatible displays</b>    | HP LCD display up to 24" with 100mm or 75mm VESA mounting pattern |
| <b>Kit contents</b>           | Arm, extension, desk clamp and grommet mount bases                |

---

© Copyright 2013 Hewlett-Packard Development Company, L.P. The information contained herein is subject to change without notice. The only warranties for HP products and services are set forth in the express warranty statements accompanying such products and services. Nothing herein should be construed as constituting an additional warranty. HP shall not be liable for technical or editorial errors or omissions contained herein.

September 2013