



ActivPanel™

INTERACTIVE FLAT PANELS

65" 4K, 70" HD, 75" 4K, 86" 4K

The award-winning ActivPanel offers the industry's most natural writing experience using the highly accurate InGlass™ technology for teachers and students to collaborate with ease. The ActivPanel enables an intuitive tablet-like experience providing teachers with all the tools they need to be highly efficient and productive.

The Premium Interactive Panel for Immersive Learning



The Industry's Most Natural Writing Experience

The innovative InGlass technology provides a smooth pen-on-paper writing performance enabling teachers and students to collaborate with ease. InGlass automatically detects differences between pen, touch, and palm erase allowing teachers to teach efficiently without switching between software tools.



Educational Tools for Connected Learning

Connect to the ever-expanding world of educational apps directly from the home screen. Easily mirror mobile devices to share content, or connect Bluetooth® devices such as musical keyboards, digital lab sensors, and robots to support lessons.



Classroom Lesson Delivery Software

Deliver interactive, multimedia lessons offline or online using your choice of Promethean's educational software products. Both ClassFlow™ and ActivInspire™ software are free and come as standard with the ActivPanel. To learn more, visit PrometheanWorld.com/Software.



Designed for IT Support and Security

The Android™ module's accessible design makes it easy to manage and is also compatible with third-party device management software (Google™ G Suite, VMware AirWatch® and Radix™ Viso).

The Intelligently-Designed **ActivPanel**

InGlass Technology

Enables the industry's most natural writing experience with practically no script lag

Ambient Light Sensor

Provides ideal lighting when interacting and viewing



Android Module Included



ActivConnect OPS-G includes software (tablet interface, whiteboard, mirroring, apps and more)



Instant Whiteboard

Provides free-form writing, palm erase, pinch-zoom interactivity, and more

Lesson Delivery Software

Deliver interactive lessons and activities using Promethean's ClassFlow and ActivInspire software



Industry-Leading



4K Ultra HD*



20 Touch Points*



Pen and Touch Differentiation



Anti-Glare Glass



ENERGY STAR® Certified*



Software Included



Front HDMI® and USB Ports



Comprehensive Warranty



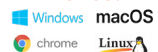
Front-Facing Speakers



Device Management Compatible



OS Compatible Devices



Add-On Windows® Computing

The Windows Module is an OPS unit that is available as an optional purchase and provides an all-in-one, large-format Windows experience.



Select From Versatile Mounting Options

Create the best solution for the classroom with the ActivPanel Stands*, including a fixed wall mount (included with purchase), height-adjustable wall mount, height-adjustable mobile stand, and non-adjustable mobile stand.



Protect Your Technology Investment

Our upgradeable computing solutions combined with a three-year warranty and a range of options, including on-site support ensures an excellent return on investment for years to come.

*Based on model and region as applicable

ActivPanel 2018 SS 01/18 v4.1 EN

Page 2

The Intelligently-Designed **ActivPanel**

PRODUCT CODE

ActivPanel with Android Module	AP6-65A-4K, AP6-70A, AP6-75A-4K, AP6-86A-4K
Optional configurations (Windows options):	
ActivPanel with Windows Module (without OS) and external Android	AP6-65W-4K, AP6-70W, AP6-75W-4K, AP6-86W-4K
ActivPanel with Windows Module (with Win 10 IoT) and external Android	AP6-65WS-4K, AP6-70WS, AP6-75WS-4K, AP6-86WS-4K

Notes: Regional SKUs may have additional country code suffix; Optional configurations require minimum order quantity

DISPLAY

Diagonal Size	Available in 65" 4K, 70" HD, 75" 4K, 86" 4K
Screen Type	TFT LCD (Direct LED Backlight)
Aspect Ratio	16:9
Display Area	65" 4K: 1429 x 804 mm (56.3 x 31.7 in) 70" HD: 1541 x 868 mm (60.7 x 34.2 in) 75" 4K: 1652 x 930 mm (65 x 36.6 in) 86" 4K: 1895 x 1066 mm (74.6 x 41.9 in)
Bezel Depth (Glass to bezel edge)	65" 4K, 75" 4K, 86" 4K: 5.3 mm; 70" HD: 4.1 mm
Resolution	70" HD (1920 x 1080 px @ 60 Hz) 65" 4K, 75" 4K, 86" 4K (3840 x 2160 px @ 60 Hz)
Display Colors	1.07 Billion (10 bits)
Response Time	70" HD: 6 ms; 65" 4K, 75" 4K, 86" 4K: 8 ms
Refresh Rate	60 Hz
Contrast Ratio	4000:1
Brightness	65" 4K, 70" HD, 75" 4K: (350 cd/m ²) typical, 86" 4K: (400 cd/m ²) typical
Glass Hardness	7 Mohs, 9H pencil
Glass Type	Heat-tempered, Anti-Glare
Ambient Light Sensor	Yes
Freeze Screen	Yes
Blank Screen	Yes

CONNECTIVITY

	65" 4K, 70" HD	75" 4K, 86" 4K
HDMI In	65" 4K: x1 (1.4), x2 (2.0) 70" HD: x3 (1.4)	x4 (2.0)
HDMI Out	N/A	x1
USB Touch	x3	x4
VGA In	x1	x1
VGA Audio In	x1	x1
Audio Out (3.5 mm)	x1	N/A
SPDIF Out	x1	x1
YPbPr	x1	N/A
CVBS	x1	N/A
Mic In (3.5 mm)	x1	x1
Headphone	x1	x1
USB 2.0	x3	x2
USB 3.0	N/A	x1
RS232 Serial	x1	x1
OPS Slot	x1	x1
RJ45 In	x1	x1
RJ45 Out	N/A	x1
SD Card	x1	x1 Micro

AUDIO

Speakers	Front-facing stereo speakers
Power	70" HD: 2 x 10 W 65" 4K, 75" 4K, 86" 4K: 2 x 15 W

INTERACTIVITY

Continuous Touch Points	65" 4K, 70" HD, 75" 4K: Up to 10; 86" 4K: Up to 20
Gestures and Edge Swipes	Windows® Supported
Touch Technology	InGlass Technology
Touch Resolution	0.4 mm (minimum)
Contact Detection Height	=<0.95 mm @ 2 mm object size
Max Touch Response Time	18 ms (first touch), 13 ms (continuous)
Touch Accuracy	1 mm
Tracking Rate	4 m/s
Scan Rate	=<6.7 ms
Whiteboard	Gesture controls, palm and block erase, protractor, ruler, and more
Compatibility*	Windows® 7 to 10 OS X® 10.8 to 10.11 macOS® Sierra 10.12.1 or later Linux® Ubuntu 16.04 LTS Chrome OS™

PEN

Pens Included	65" 4K, 70" HD, 75" 4K: x2; 86" 4K: x4
Pen Type	Touch differentiated battery-less pen
Pen Holder	Integrated full-length pen tray and accessory holder
Pen Tip Diameter	65" 4K, 70" HD, 75" 4K: 2x 4 mm; 86" 4K: 2x 2 mm, 2x 5 mm

ANDROID MODULE

Product Name	ActivConnect OPS-G
Operating System	Android 6.0 Marshmallow
CPU	Realtek RTD1295 Quad Core Up to 1.4 GHz
GPU	ARM T820: Up to 4K @ 60Hz
RAM	2 GB DDR4
Internal Storage	16 GB
Ethernet Connectivity	x1 RJ-45 (10/100/1000Mbps)
Wi-Fi® & Bluetooth	IEEE® 802.11a/b/g/n Wireless 802.11AC 2x2, Bluetooth 4.1
Connectivity Ports	x1 Micro SD card reader and supports memory size up to 32GB; x2 USB-A 2.0; x1 HDMI In; x1 USB-B Touch
Hotspot Access Point	Yes

POWER

Power Requirements	100V - 240V AC
Power Consumption (Normal)	65" 4K: <= 160 W; 70" HD: <= 200 W; 75" 4K: <= 300 W; 86" 4K: <= 350 W
Power Consumption (Standby)	<= 0.5 W
Ultra-Quiet Fanless Design	Yes

*ActivInspire is a desktop application for Windows, Mac, and Linux operating systems.
ClassFlow is a cloud-based application for Chrome, Safari, and Microsoft Edge/Internet Explorer.

ActivPanel 2018 SS 01/18 v4.1 EN

Page 3

The Intelligently-Designed **ActivPanel**

ENVIRONMENTAL

Operating Temperature	0°C to 40°C (32°F to 104°F)
Storage Temperature	-15°C to 55°C (-5°F to 131°F)
Operating Humidity	20% to 80% non-condensing humidity
Storage Humidity	20% to 90% non-condensing humidity

PACKED CONTENTS

What's in the Box	Box 1 of 2:	ActivPanel x1, Pen (65" 4K, 70" HD, 75" 4K: x2; 86" 4K x4), Wall mount x1, Vesa mount screws x4, Remote control x1, AAA remote batteries x2, Power cable (3m/9.8ft. quantity is SKU dependent), HDMI cable x1 (3m/9.8 ft.), USB cable x1 (3m/9.8 ft.), Accessory holder x1, Eraser x1, ActivSoundBar brackets x2 (preinstalled on 65" 4K, 75" 4K, 86" 4K), Quick install guide x1, ClassFlow and ActivInspire Professional included
	Box 2 of 2:	Android Module x1, User guide x1, Wi-Fi Antenna x2

COMPLIANCE & CERTIFICATION

Regulatory Certification	CE, FCC, IC, UL, CUL, CB, RCM
Energy Star Certified	Yes: 65" 4K, 70" HD, 75" 4K

WARRANTY

Standard Warranty	Three-Year Warranty (upgrade options available and vary by region). For more information, visit PrometheanWorld.com/ActivCare .
-------------------	--

STANDS & ACCESSORIES

Fixed Wall Mount (Vesa)	Included with purchase and compatible with all ActivPanel sizes
Height-Adjustable Wall Mount	Available in specific markets and compatible with all ActivPanel sizes
Height-Adjustable Mobile Stand	Available in specific markets and compatible with ActivPanel 65" 4K, 70" HD, and 75" 4K
Non-Adjustable Mobile Stand	Available in all markets and compatible with all ActivPanel sizes
ActivSoundBar	Compatible for top mount installation (attachment points included with 65" 4K, 75" 4K, 86" 4K)
Windows Module	Intel® Core™ i5 Dual, 8 GB DDR4 RAM, 256 GB SSD, Wi-Fi 802.11 AC (2x2), 4K @ 60 Hz Two options are available: 1. Windows 10 IoT pre-installed; 2. No operating system installed. Both options also include an External Android (ActivConnect G) with pre-loaded software. Minimum order quantity required for both models.

INSTALLATION

The installation of this product should be completed by a qualified installer. Use of components not supplied by Promethean or not meeting minimum specifications may impact performance, safety and warranty. For more information, visit Support.PrometheanWorld.com.

SUPPORT

For all Promethean products, visit Support.PrometheanWorld.com.

PHYSICAL SPECIFICATIONS

	65" 4K	70" HD
Product Dimensions (Without Mount)	1565 x 967 x 95 mm (61.6 x 38.1 x 3.7 in)	1617 x 1000 x 90 mm (63.7 x 39.4 x 3.6 in)
Packed Dimensions	1725 x 1090 x 275 mm (67.9 x 42.9 x 10.7 in)	1860 x 1150 x 305 mm (73.2 x 45.3 x 12 in)
Net Weight (Without Mount)	47.5 kg (104.7 lbs)	55 kg (121.2 lbs)
Packed Weight	69 kg (152 lbs)	78 kg (172 lbs)
Fixed Wall Mount (Vesa)	4 x M6; 600 x 400 mm (23.6 x 15.7 in)	4 x M6; 400 x 600 mm (15.7 x 23.6 in)

PHYSICAL SPECIFICATIONS

	75" 4K	86" 4K
Product Dimensions (Without Mount)	1790 x 1095 x 114 mm (70.4 x 43.1 x 4.4 in)	2039 x 1236 x 115 mm (80.2 x 48.6 x 4.5 in)
Packed Dimensions	1923 x 1195 x 285 mm (75.7 x 47 x 11.2 in)	2160 x 1345 x 320 mm (85 x 52.9 x 12.5 in)
Net Weight (Without Mount)	60.7 kg (133.8 lbs)	77.8 kg (171.5 lbs)
Packed Weight	85 kg (187.3 lbs)	108 kg (238 lbs)
Fixed Wall Mount (Vesa)	4 x M6; 800 x 400 mm (31.5 x 15.7 in)	4 x M8; 800 x 400 mm (31.5 x 15.7 in)

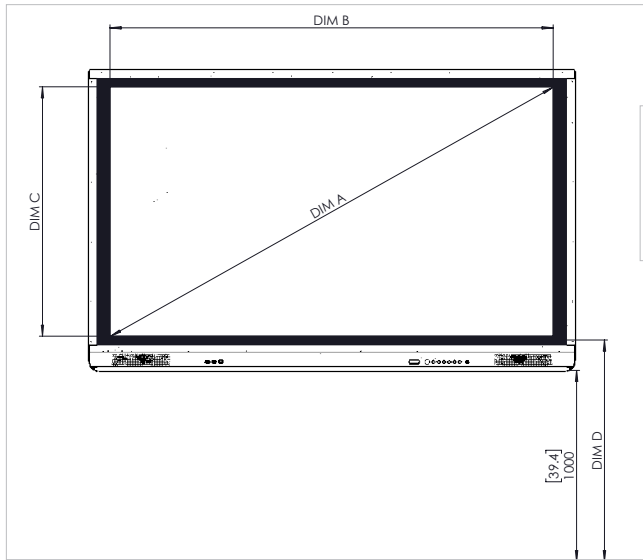
AWARDS & RECOGNITION



TECHNICAL DRAWINGS

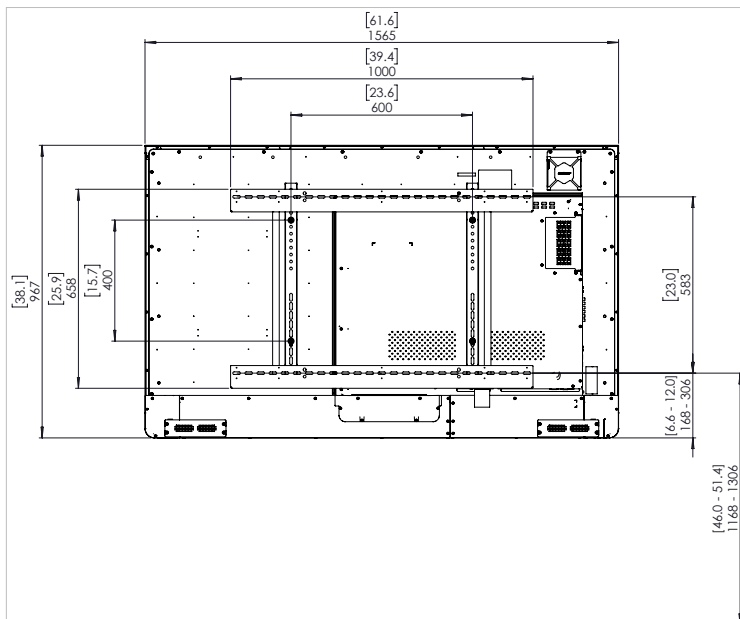
65" 4K

Front

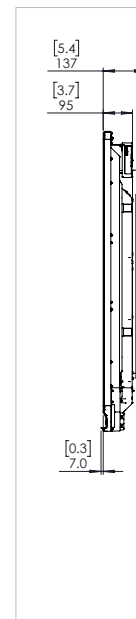


REF	DESCRIPTION	DIMENSION
A	IMAGE DIAGONAL	1640.3mm [64.6"]
B	IMAGE AREA WIDTH	1428.5mm [56.2"]
C	IMAGE AREA HEIGHT	804mm [31.6"]
D	FLOOR TO BOTTOM OF IMAGE	1098mm [43.2"]

Back

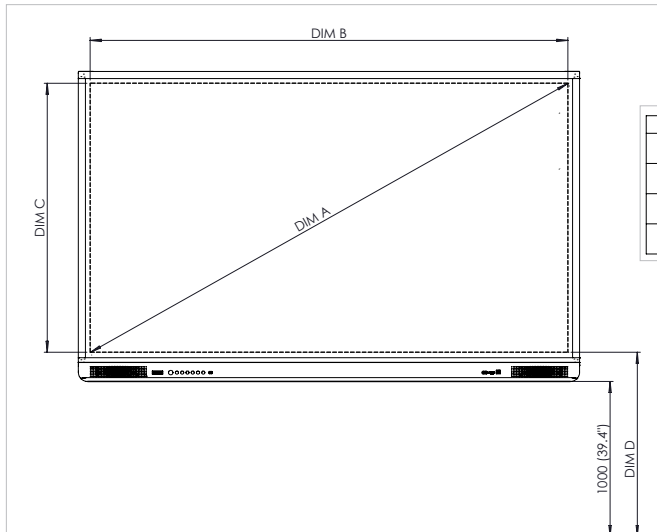


Side



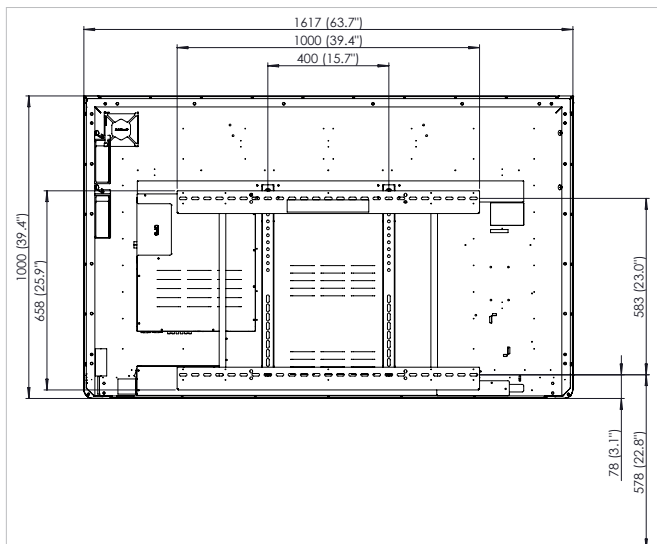
TECHNICAL DRAWINGS

70" HD

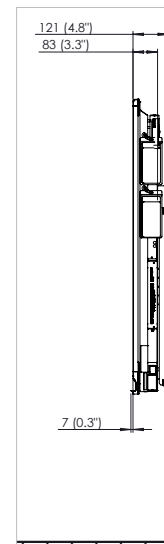


REF	DESCRIPTION	DIMENSION
A	IMAGE DIAGONAL	1768mm (70.0")
B	IMAGE AREA WIDTH	1541mm (60.7")
C	IMAGE AREA HEIGHT	868mm (34.2")
D	FLOOR TO BOTTOM OF IMAGE	1094mm (42.1")

Front



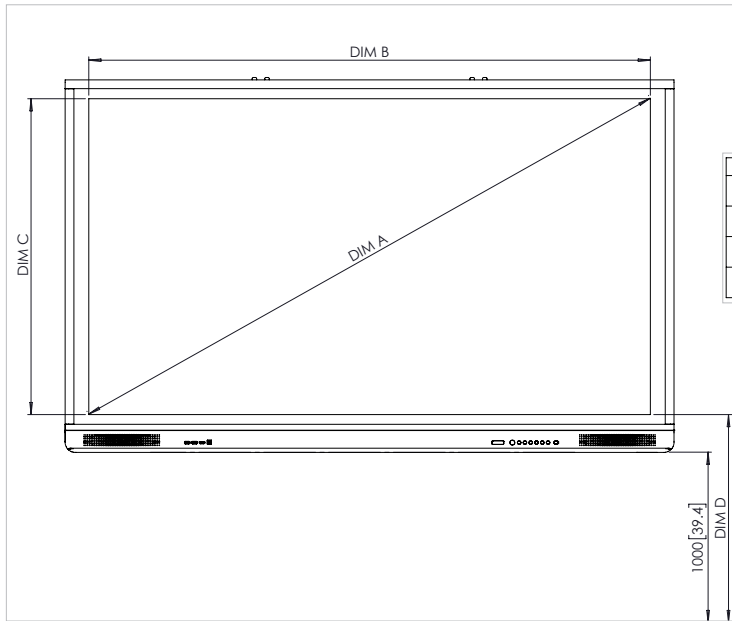
Back



Side

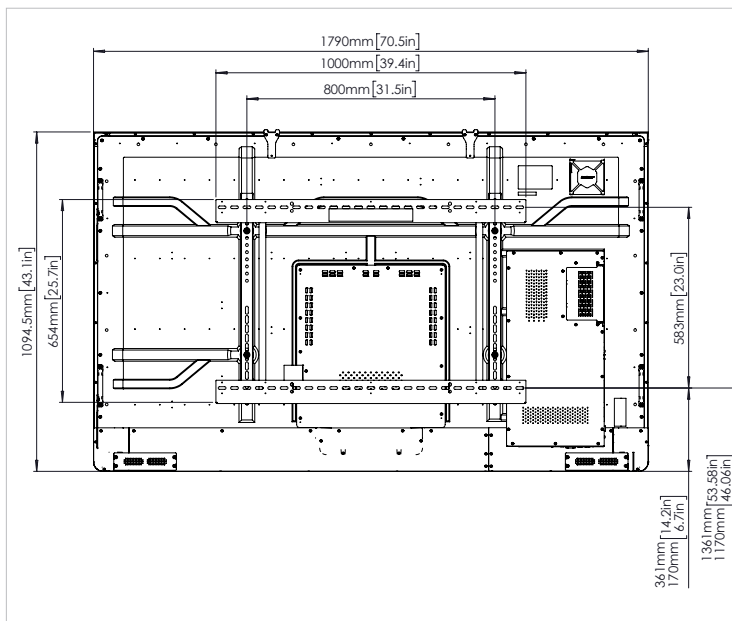
TECHNICAL DRAWINGS

75" 4K

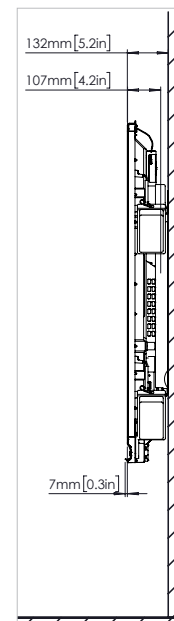


REF	DESCRIPTION	DIMENSION
A	IMAGE DIAGONAL	1896mm [75"]
B	IMAGE AREA WIDTH	1652mm [65.0"]
C	IMAGE AREA HEIGHT	930mm [36.6"]
D	FLOOR TO BOTTOM OF IMAGE	1111mm [43.7"]

Front



Back

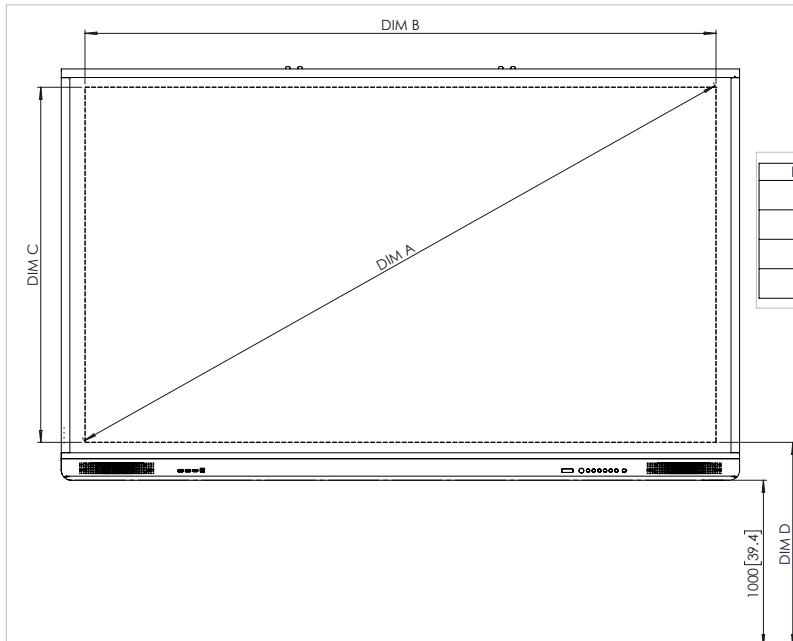


Side

TECHNICAL DRAWINGS

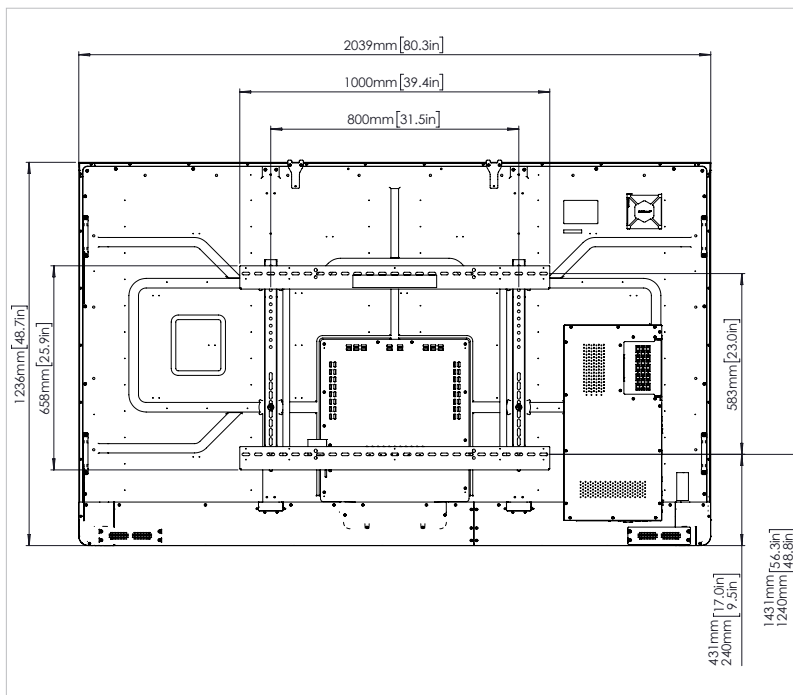
86" 4K

Front

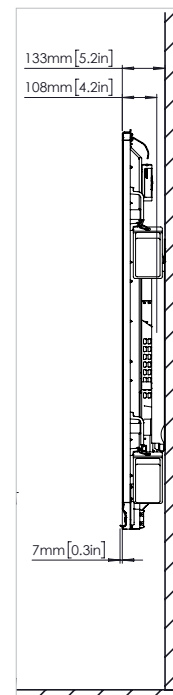


REF	DESCRIPTION	DIMENSION
A	IMAGE DIAGONAL	2176mm [86"]
B	IMAGE AREA WIDTH	1895mm [74.6"]
C	IMAGE AREA HEIGHT	1066mm [42.0"]
D	FLOOR TO BOTTOM OF IMAGE	1114mm [43.9"]

Back



Side



Windows is a registered trademark or trademark of Microsoft Corporation. All other trademarks are the property of their respective owners. This spec sheet is an independent publication and is neither affiliated with, nor authorized, sponsored, or approved by, Microsoft Corporation.

Linux® is the registered trademark of Linus Torvalds in the U.S. and other countries.

© 2018 Google LLC, used with permission. Android and Chrome OS are registered trademarks of Google LLC

The Android robot is reproduced or modified from work created and shared by Google and used according to terms described in the Creative Commons 3.0 Attribution License.

macOS is a trademark of Apple Inc., registered in the U.S. and other countries.

IOS is a trademark or registered trademark of Cisco in the U.S. and other countries and is used under license.

ActivPanel 2018 SS 01/18 v4.1 EN