

Promethean

ActivBoard System

ActivBoard Mobile Stand / UST-2 Projector
Upgrade Install Guide

Table of contents

Table of contents	2
Safety information	3
Box contents	4
Removing the existing EST projector	5
Installing the new boom ABMS-UST2-KIT	8
Moving the mobile stand	19
Using the mobile stand	20

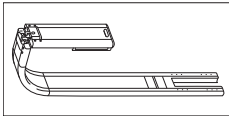
Safety information

For your safety, read this guide before installation. Incorrect handling, installation or modification to the system could result in personal injury, property damage, damage to the components or render your warranty invalid. Keep this guide for future reference.

The installation work must be performed by a qualified installer. Attempting to install the product without relevant experience is done so at your own risk.

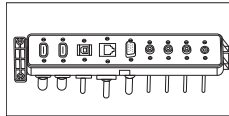
Refer to the manuals for your ActivBoard and Projector for correct location, installation, safety and setup information.

Box contents



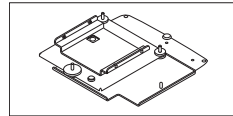
722 2002

x1



722 2010

x1



722 2017

x1



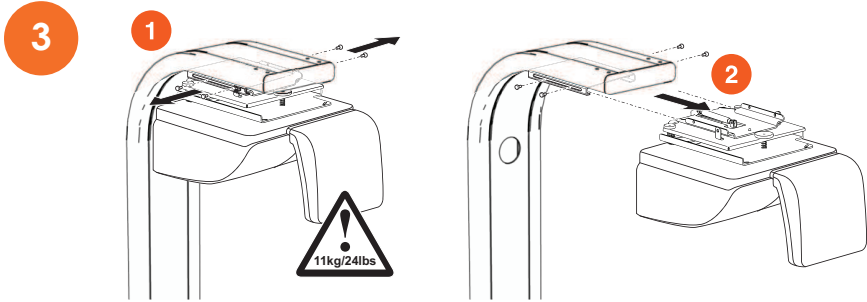
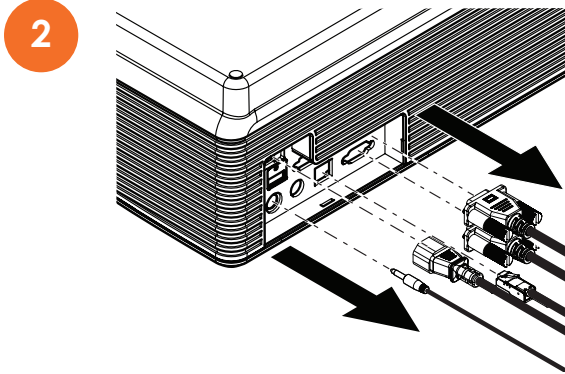
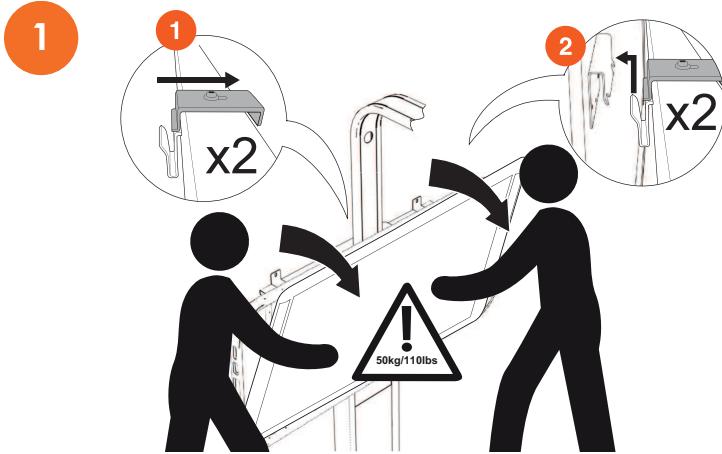
TP-2085

x1

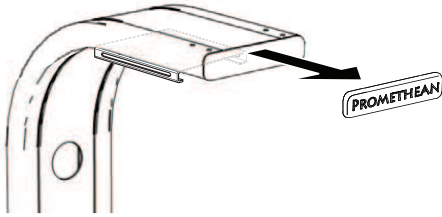
Fastener kit (722 3004) x1

ID number	Part number	Description	Quantity
A	NT-M6	M6 plain nut	2
B	SC-M6X50	M6 X 50 hex head bolt BZP	2
C	WA-M6-5	M6 oversize washer MX O.D. 27.0mm BZP	4
D	SC-M4X 12-3	Screw M4x12 pozi pan head - black	3
E	WA-M4-3	M4 plain washer	3
F	WA-M4-7	M4 nylon washer	3
G	SC-M4X10-2	M4x10 pozi pan hd sems screw BZP SKPF	2
H	SC-M5X16	M5x16 pozi pan head screw BZP	4
I	WA-M5-5	M5 plain washer	4
J	HW-CL-ATC-17BLK	Adhesive cable tie clips	3
K	722 2016	Hex key	1

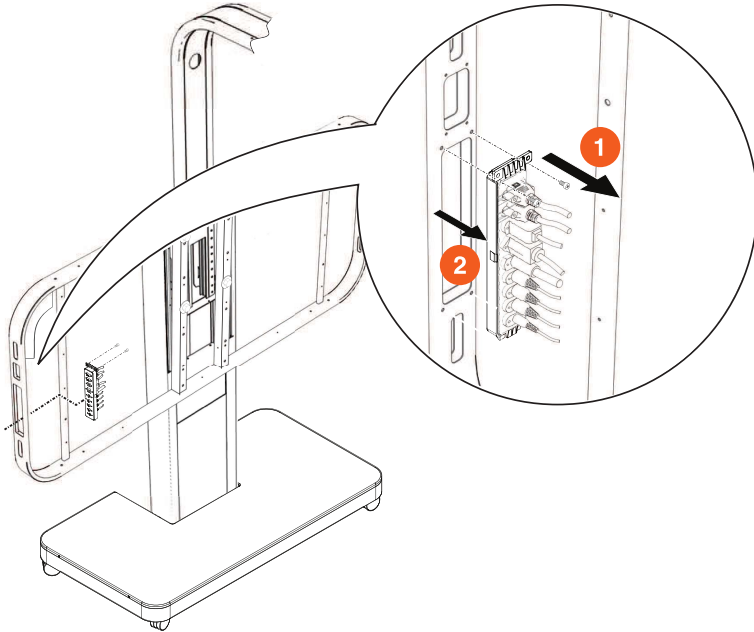
Removing the existing EST projector



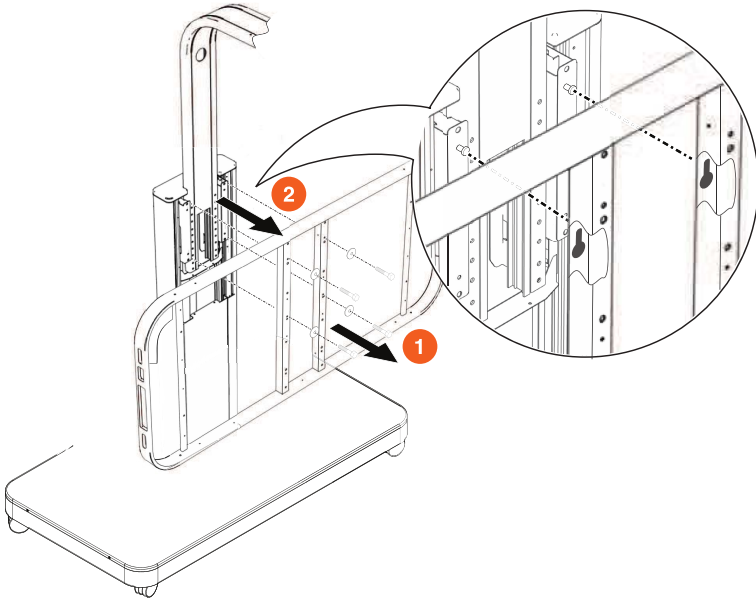
4



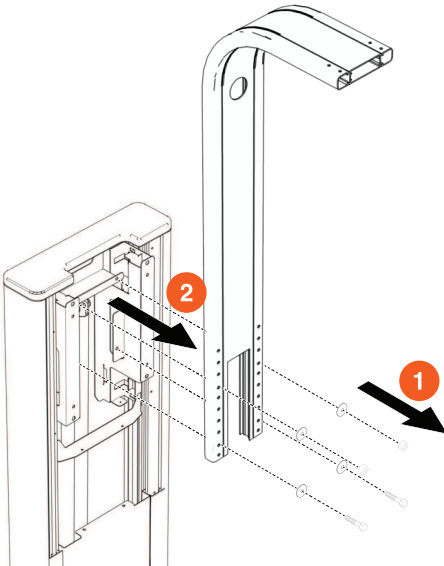
5



6

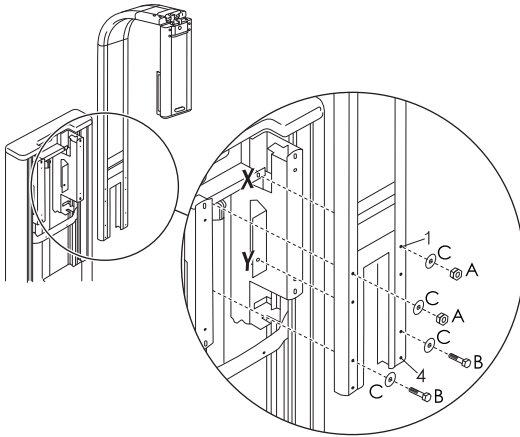


7



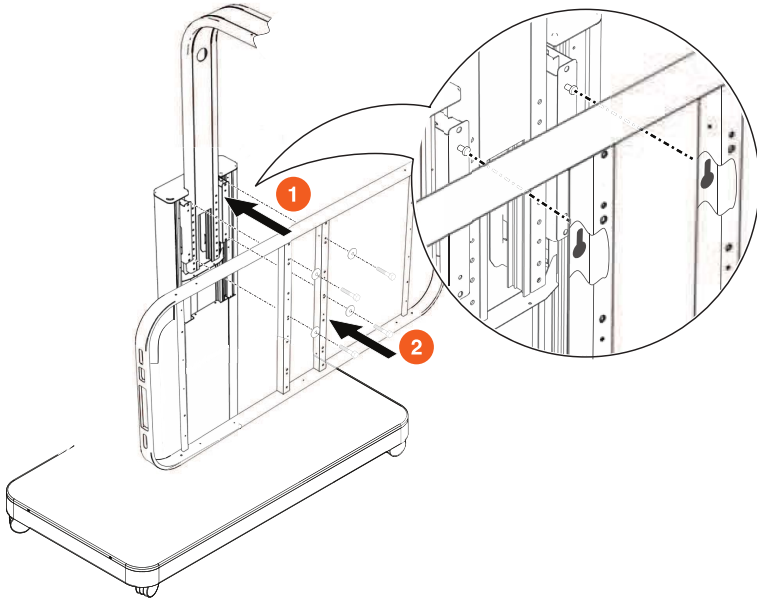
Installing the new boom ABMS-UST2-KIT

1

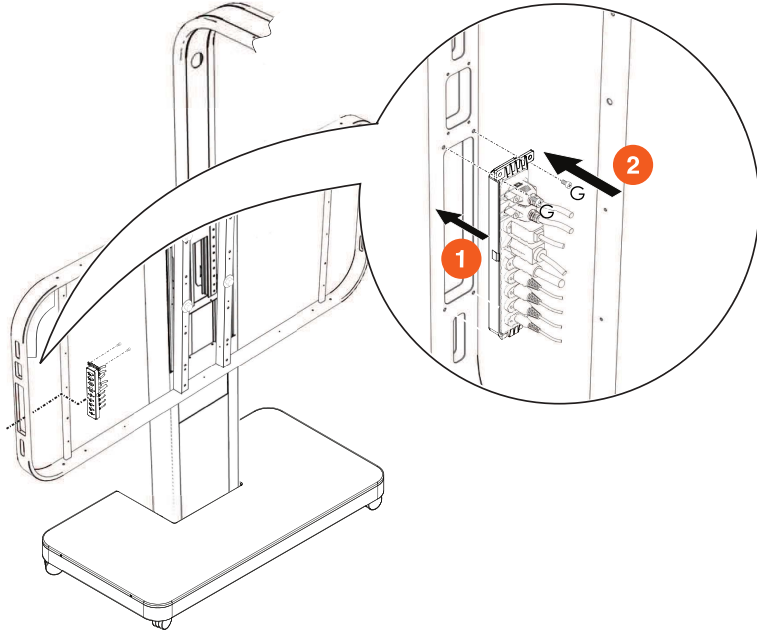


Board	Hole position	
	X	Y
ActivBoard Touch 88"	1	3
ActivBoard 78"	2	4
ActivBoard 87"	1	3
ActivBoard 95"	2	4

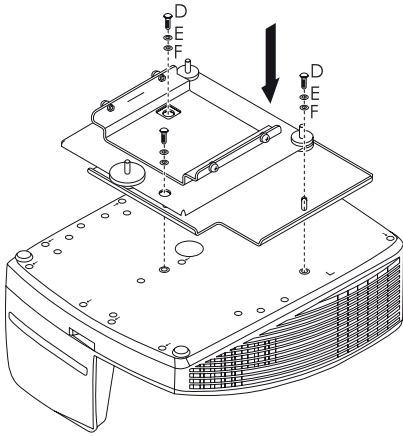
2



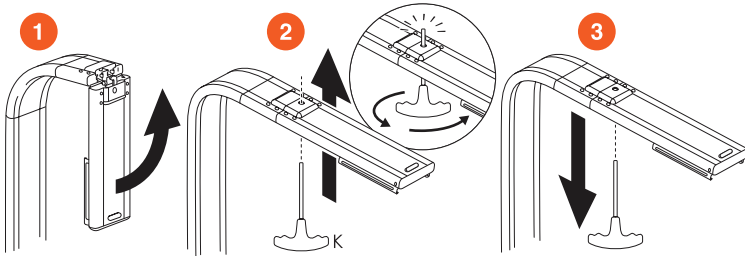
3



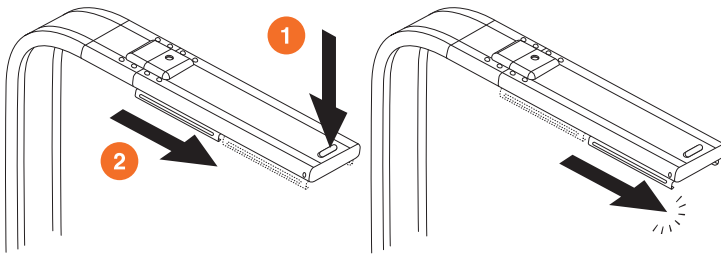
4



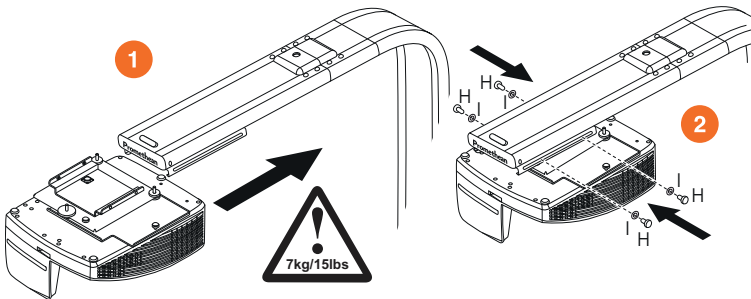
5



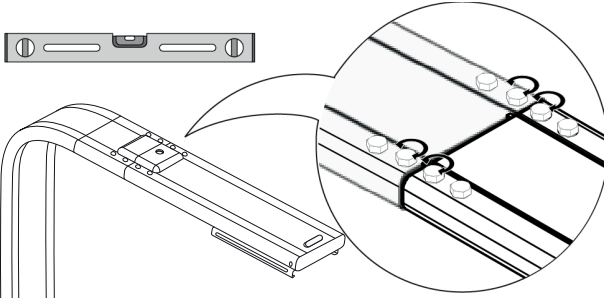
6



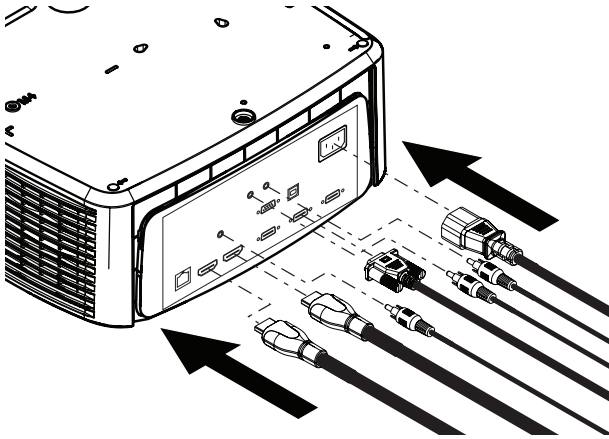
7



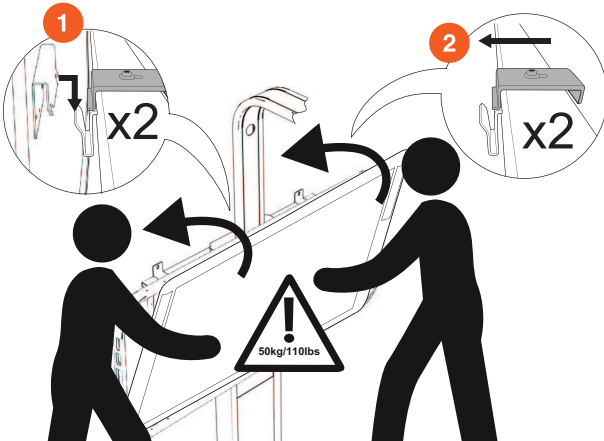
8



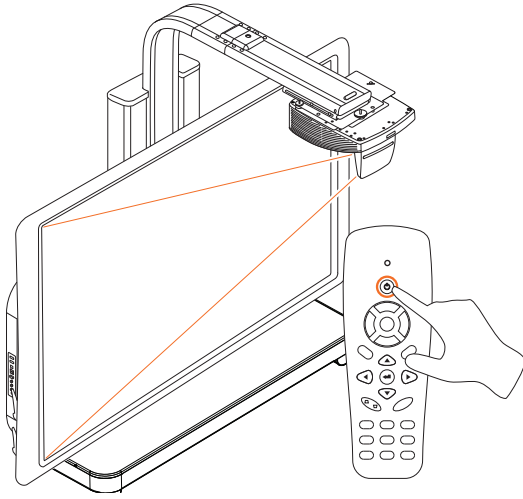
9



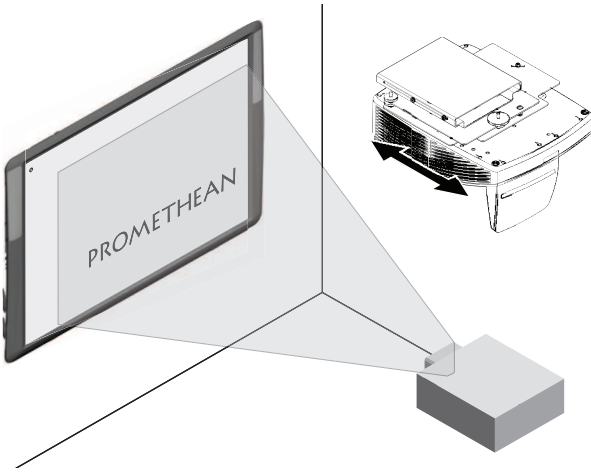
10



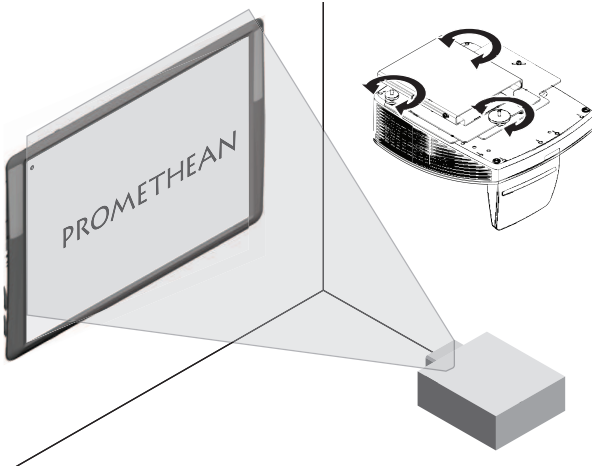
11



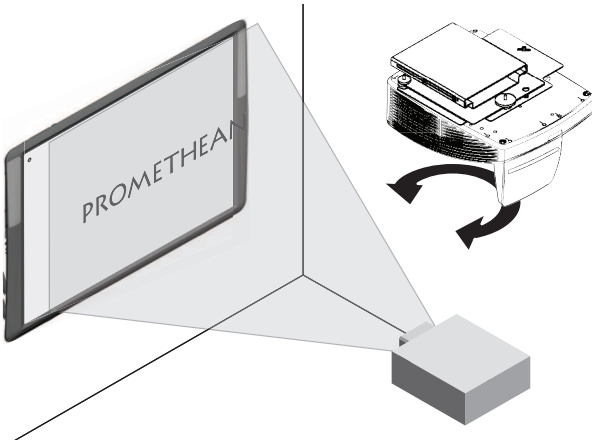
12



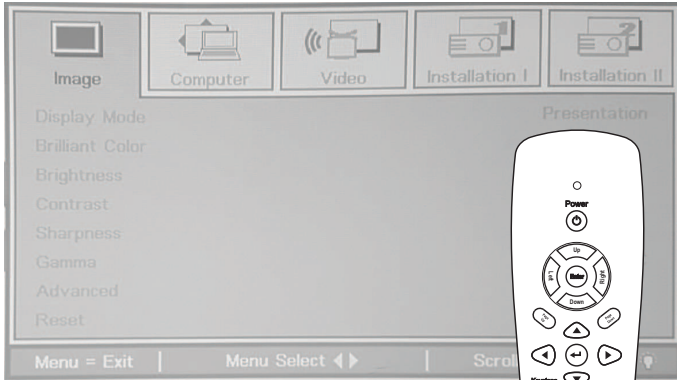
13



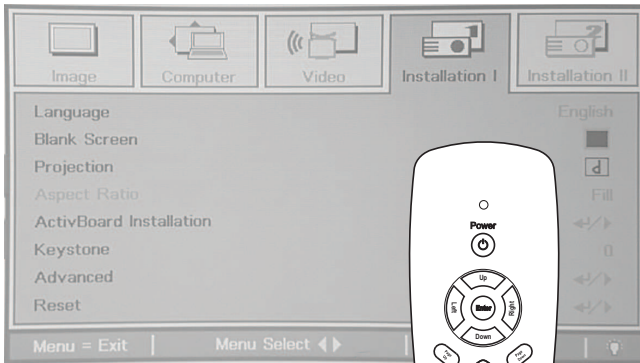
14

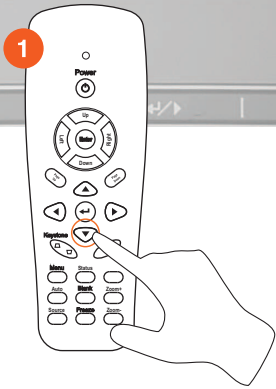


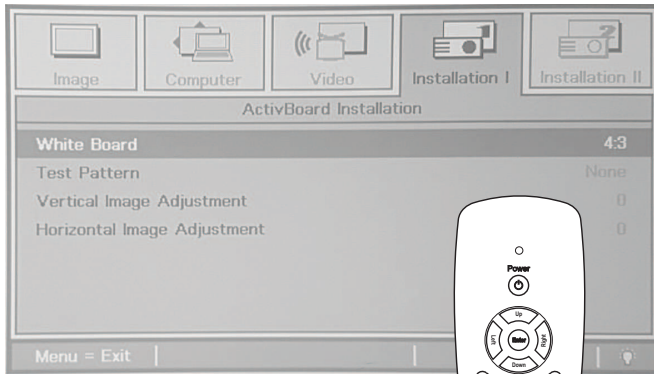
15



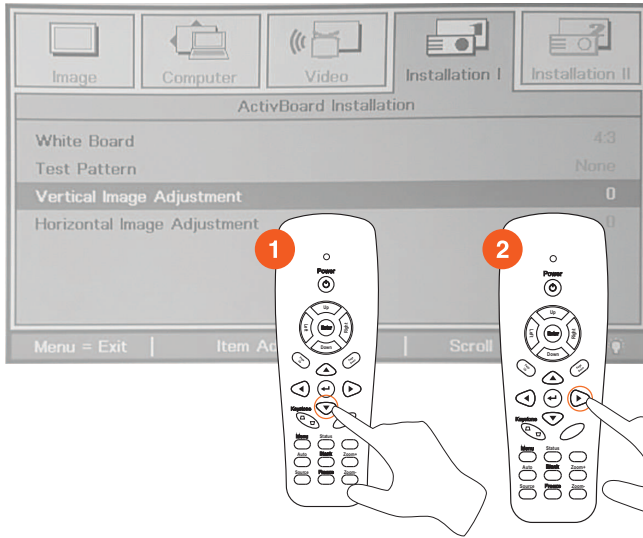
16



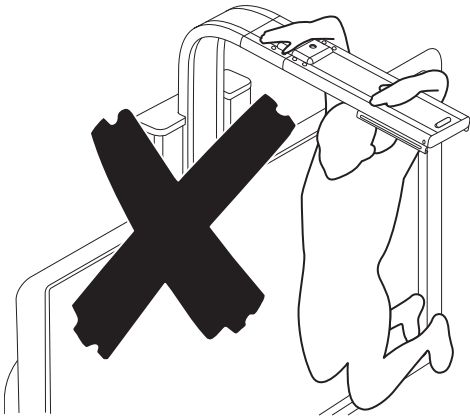
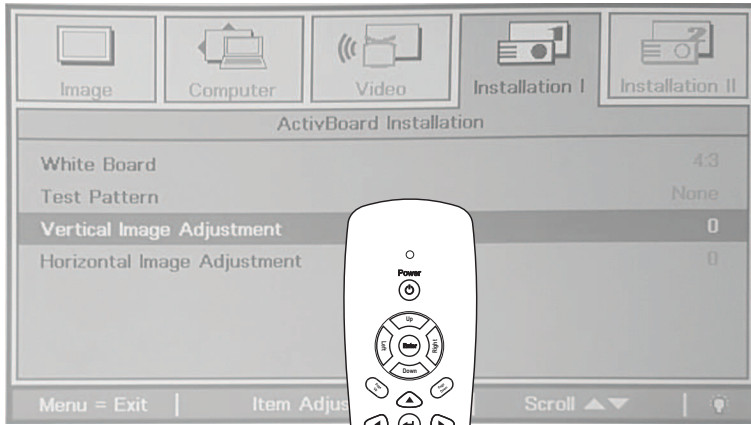




Board	Ratio
AB378/AB578	4:3
AB6T-78/AB10T-78	4:3
AB387/AB587	16:10
AB6T-88/AB10T-88	16:10
AB395/AB595	16:9

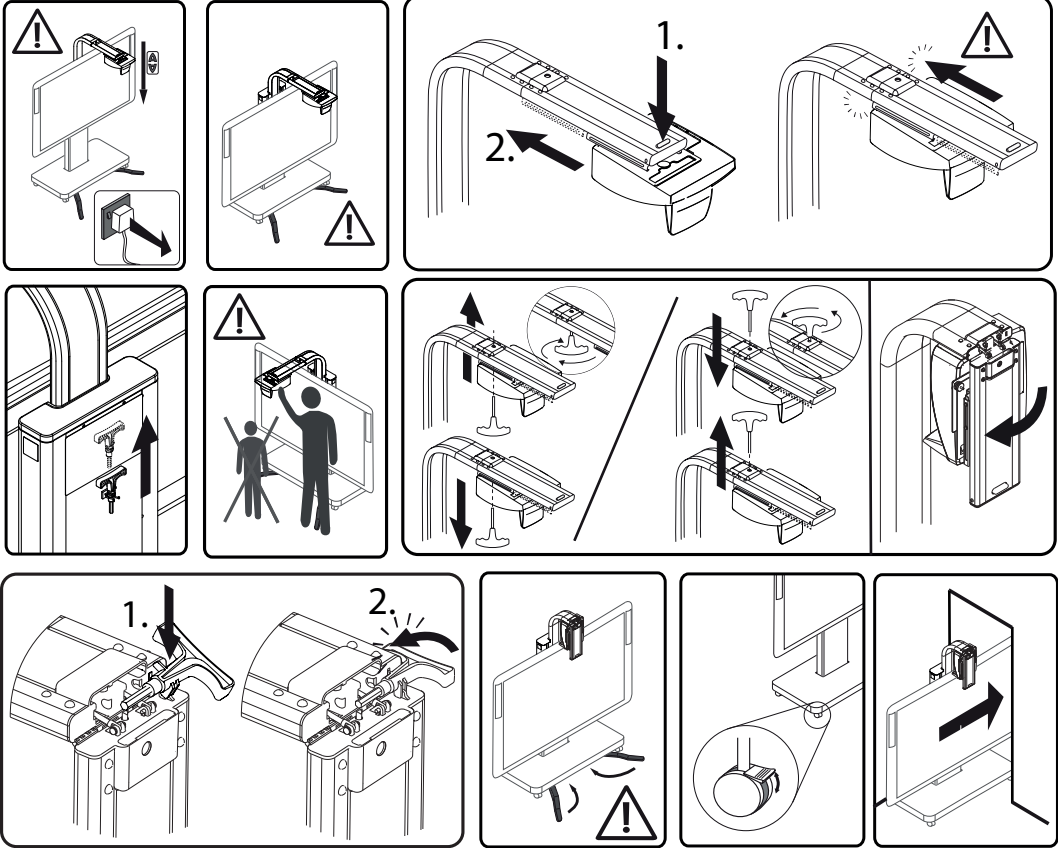


Board	Adjustment
AB378/AB578	-6
AB6T-78/AB10T-78	-3
AB387/AB587	0
AB6T-88/AB10T-88	0
AB395/AB595	-31

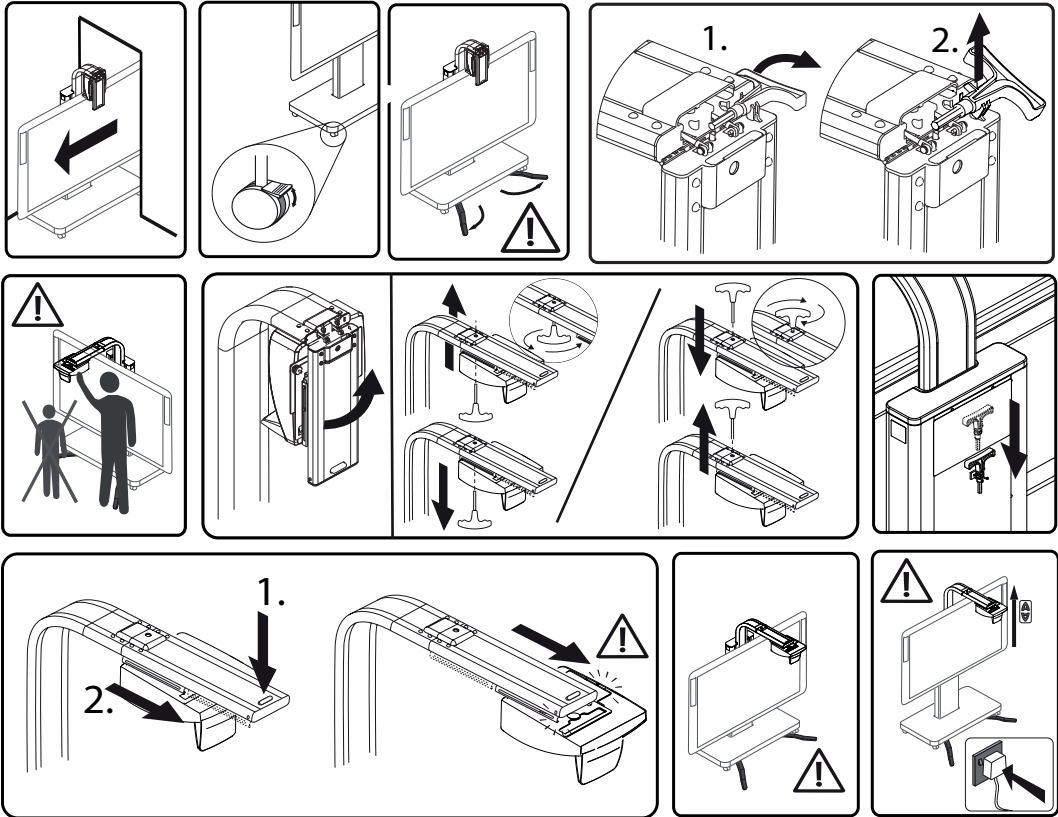


support.prometheanworld.com

Moving the mobile stand



Using the mobile stand



TP-2085-EN-V02 ©2017 Promethean Ltd. All Rights Reserved. Products are subject to availability by country. Product specifications are subject to change without notice.